

[54] DOOR CLOSER

[76] Inventor: Fred Vandergeest, 131 Finchdene Square, Units 1 & 2, Scarborough, Ontario, Canada, M1X 1A6

[**] Term: 14 Years

[21] Appl. No.: 806,023

[22] Filed: Nov. 21, 1985

[52] U.S. Cl. D8/330

[58] Field of Search D8/330-346; 16/49, 66, 68, 71

[56] References Cited

U.S. PATENT DOCUMENTS

- D. 130,226 11/1941 Holland et al. D8/330
- D. 162,977 4/1951 Nehleton et al. D8/330
- D. 281,762 12/1985 Okazaki D8/330

2,449,826 9/1948 Van de Boe 16/49

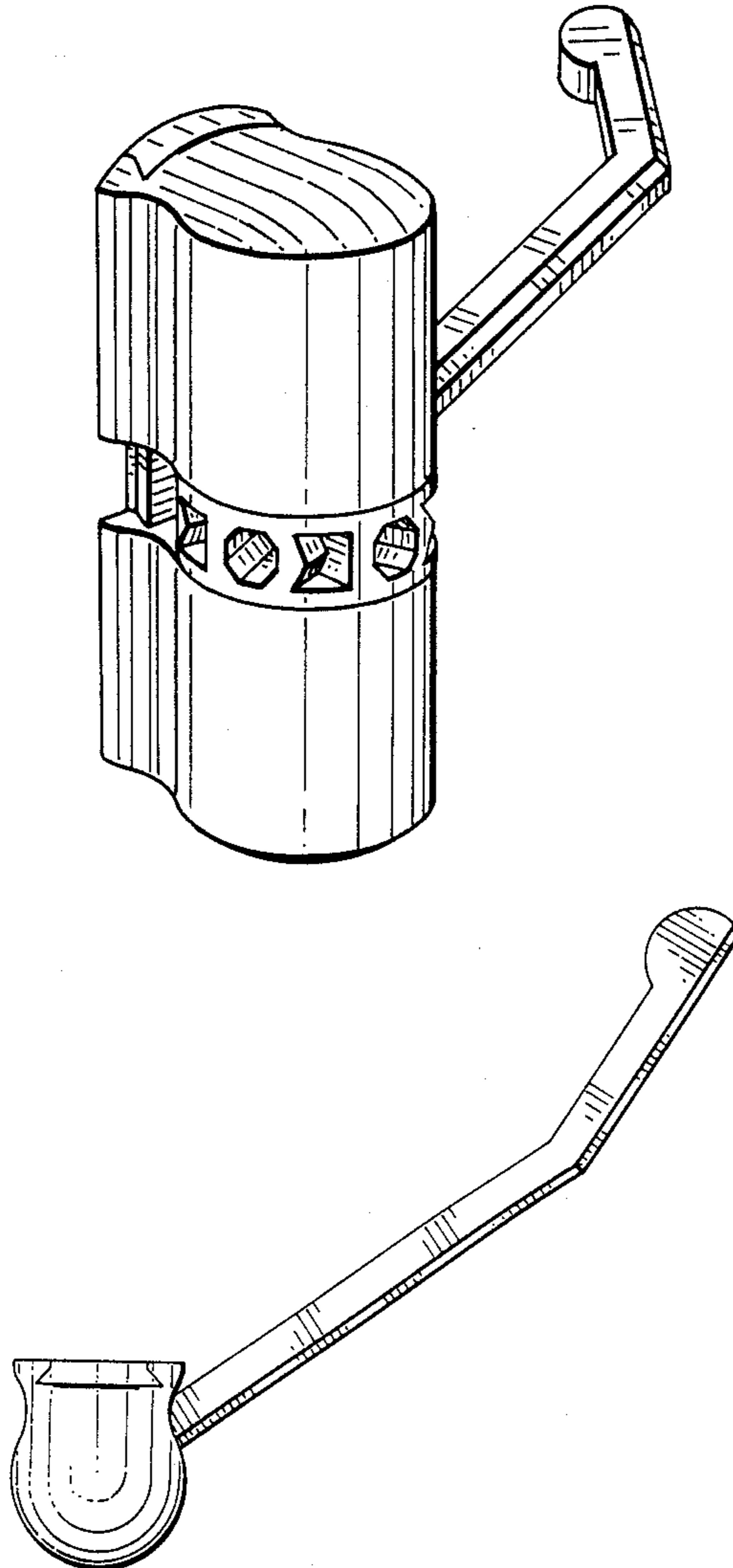
Primary Examiner—Wallace R. Burke
Assistant Examiner—Brian N. Vinson
Attorney, Agent, or Firm—Ridout & Maybee

[57] CLAIM

The ornamental design for a door closer, as shown and described.

DESCRIPTION

FIG. 1 is a top, front perspective view of a door closer showing my new design;
FIG. 2 is a bottom, rear perspective view thereof;
FIG. 3 is a top plan view thereof, the bottom being substantially similar in appearance;
FIG. 4 is a front elevational view thereof; and
FIG. 5 is a right side elevational view thereof, the left side being substantially similar in appearance.



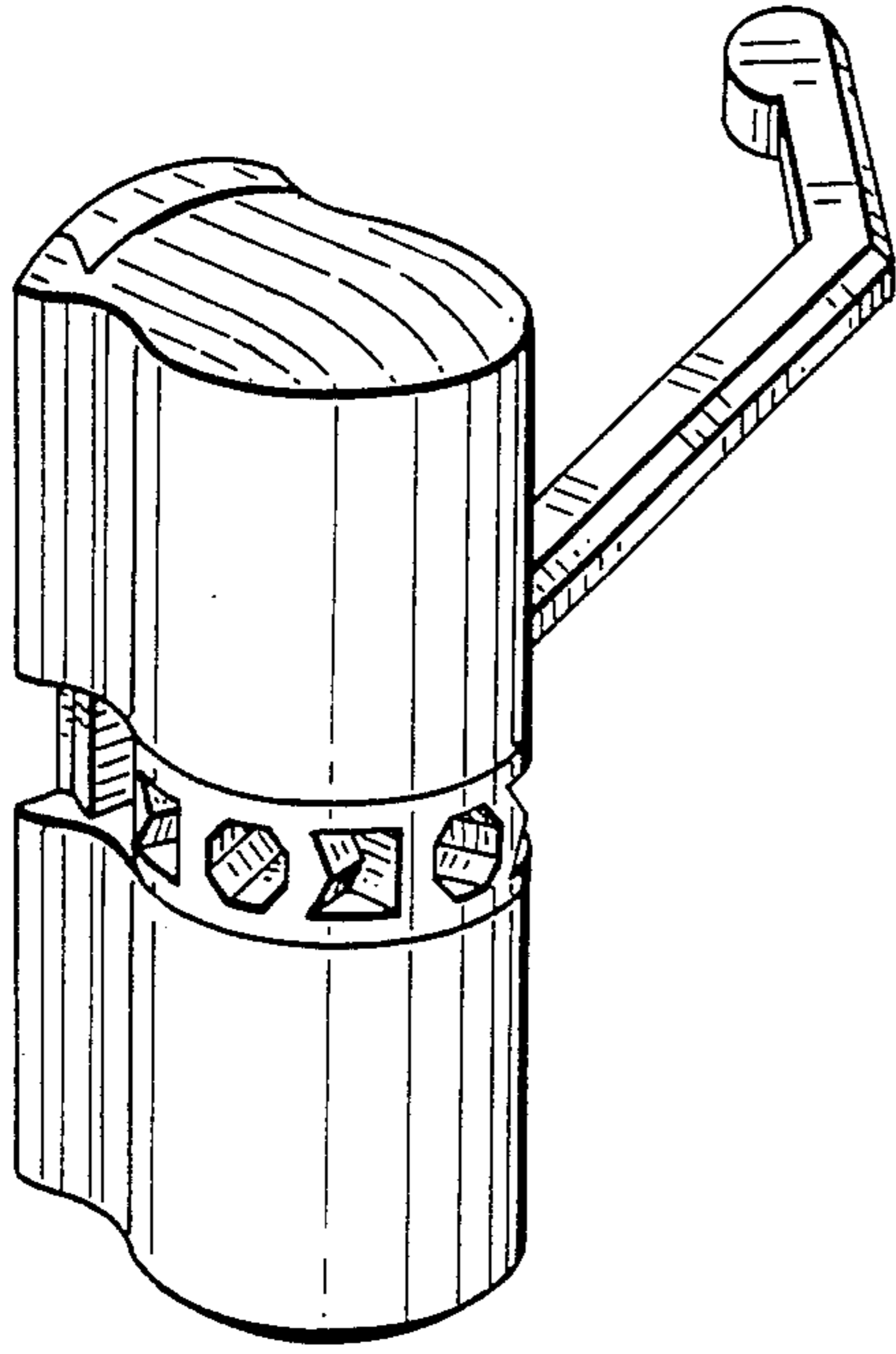


FIG. 1

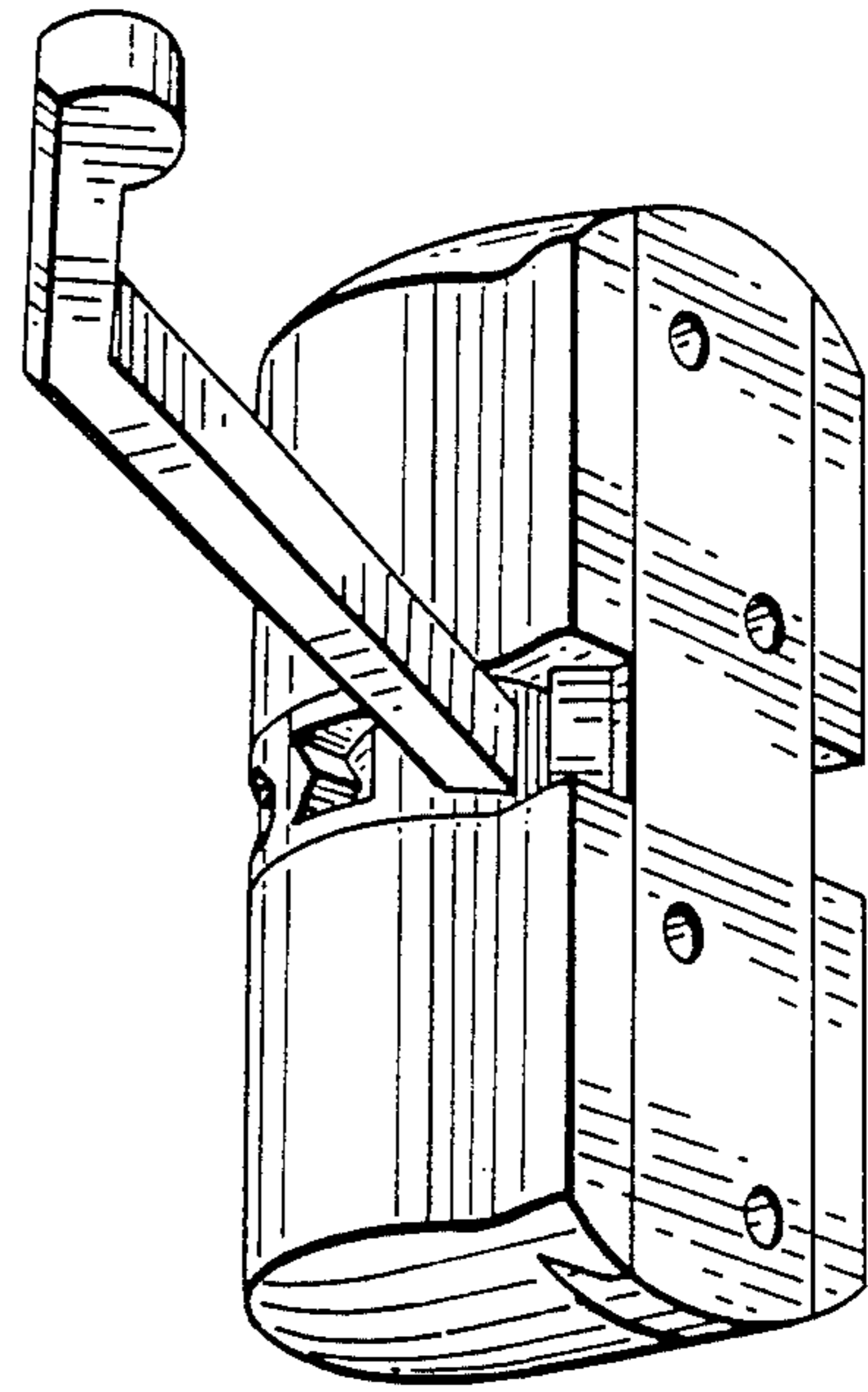


FIG. 2

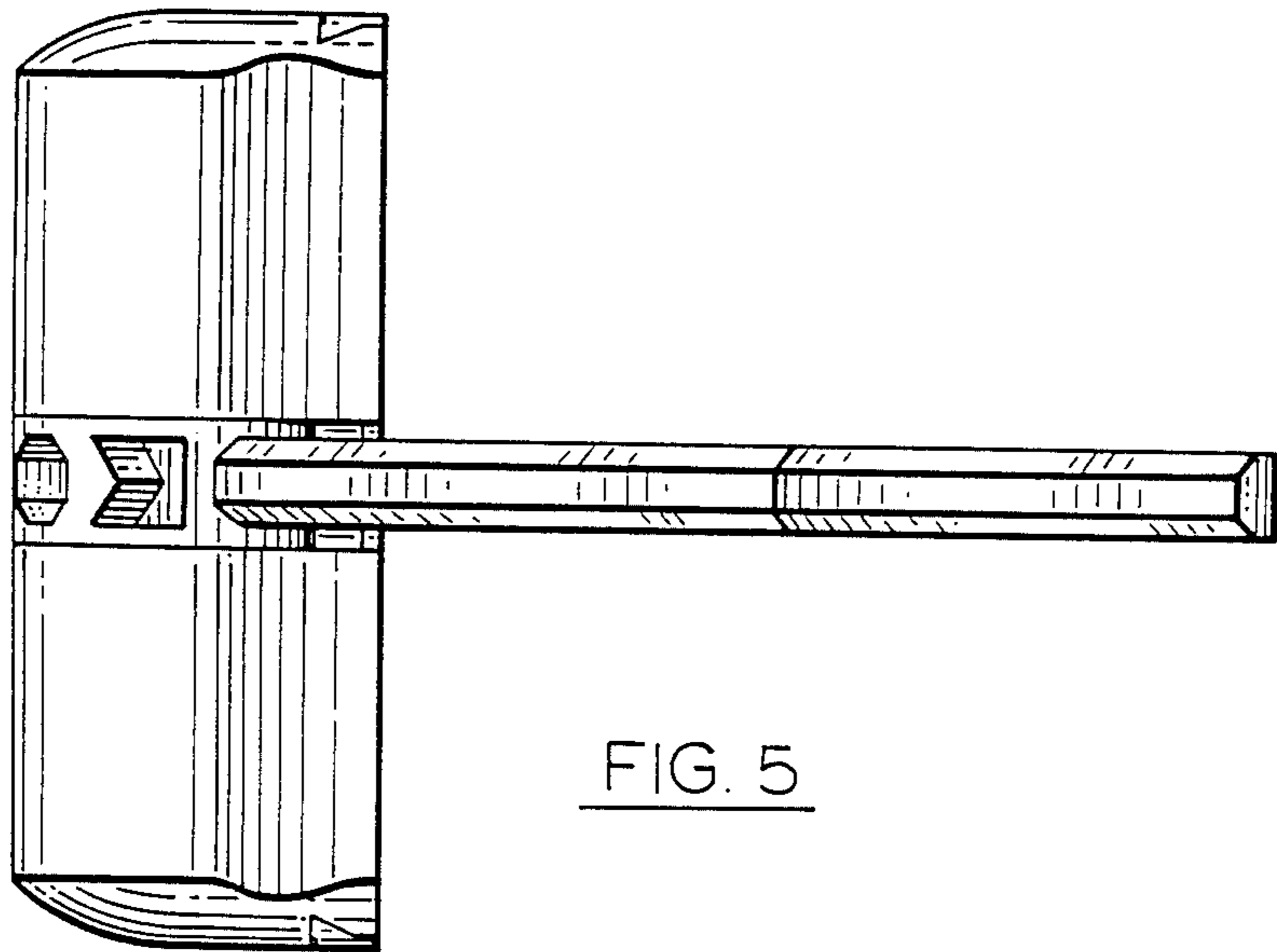


FIG. 5

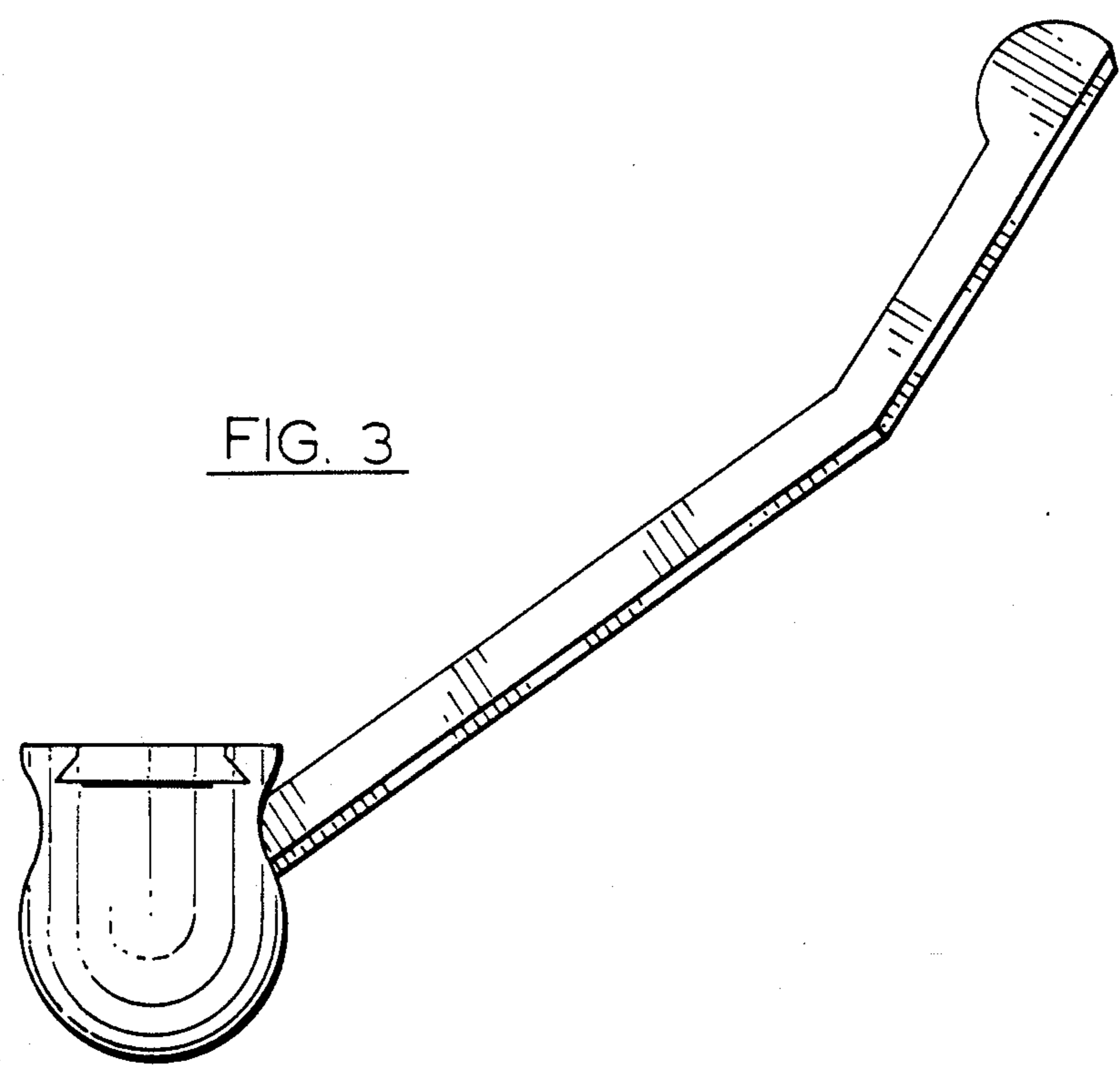


FIG. 3

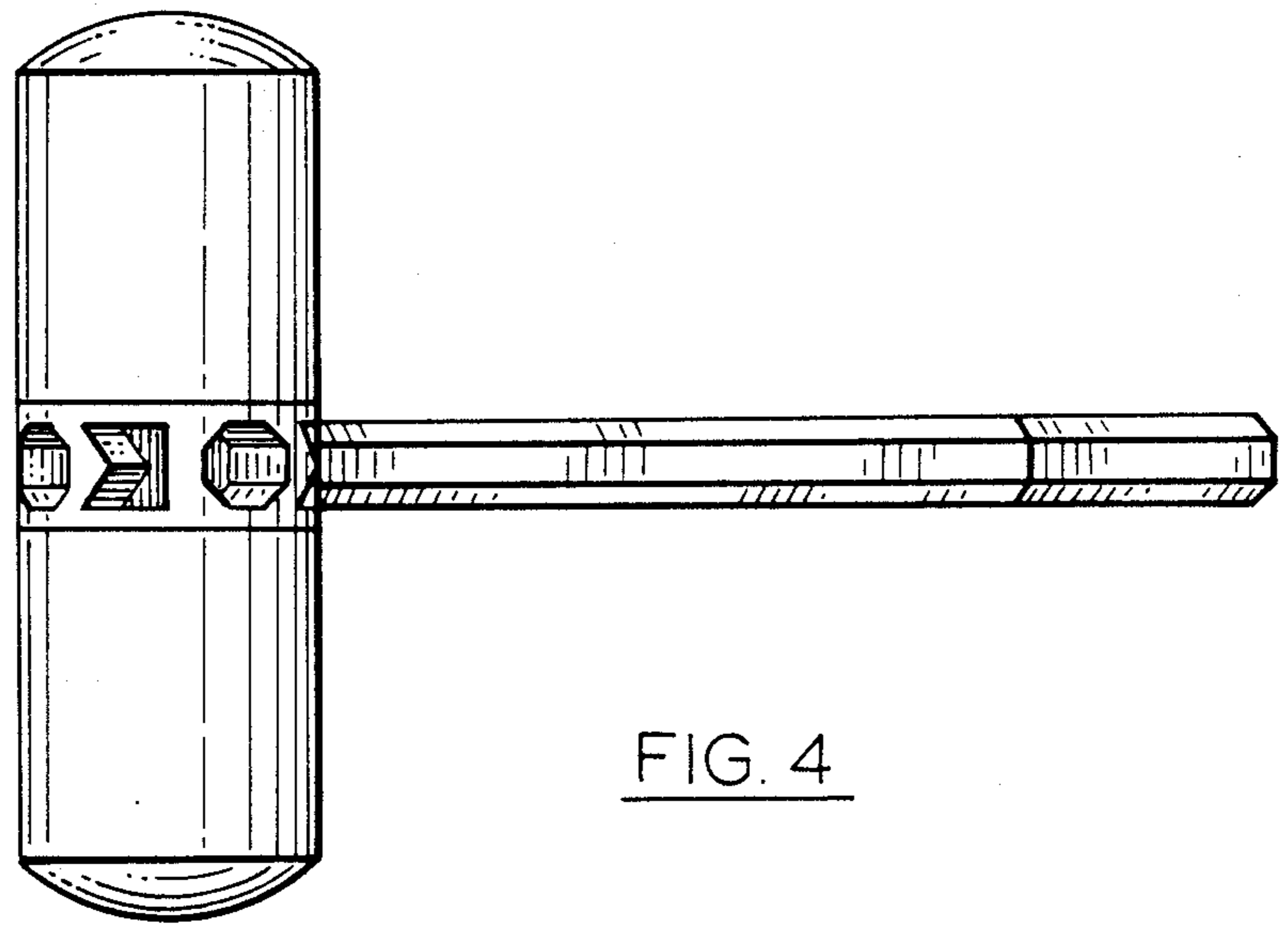


FIG. 4