

[54] WARMING RACK

[75] Inventor: Armand Murphy, Columbus, Ga.

[73] Assignee: W. C. Bradley Enterprises, Inc., Columbus, Ga.

[**] Term: 14 Years

[21] Appl. No.: 676,940

[22] Filed: Nov. 30, 1984

[52] U.S. Cl. D7/408

[58] Field of Search D7/407, 408, 409, 337, D7/332; 99/393, 399, 402, 419, 421 R, 421 HH, 456; 211/149, 195, 201, 134, 85, 181, 105.1; 126/9 B, 25 R, 25 A, 25 AA, 30, 25 B, 25 C, 29, 337 R, 337 A, 152 R, 152 B, 153-154, 164; D6/574; D23/135

[56] References Cited

U.S. PATENT DOCUMENTS

D. 280,280	8/1985	Pestone	D6/574
1,248,150	11/1917	Moody	D7/409
1,939,914	12/1933	Money	126/337 R
2,631,579	3/1953	Metzger	99/450
2,956,689	10/1960	Van Der Togt	211/181
3,101,080	8/1963	Lorbacher	99/450
3,800,958	4/1974	Dorn	211/181
4,083,354	4/1978	Claire et al.	126/25 A
4,191,160	3/1980	Elliott	99/450

FOREIGN PATENT DOCUMENTS

1014 of 1897 United Kingdom 99/450

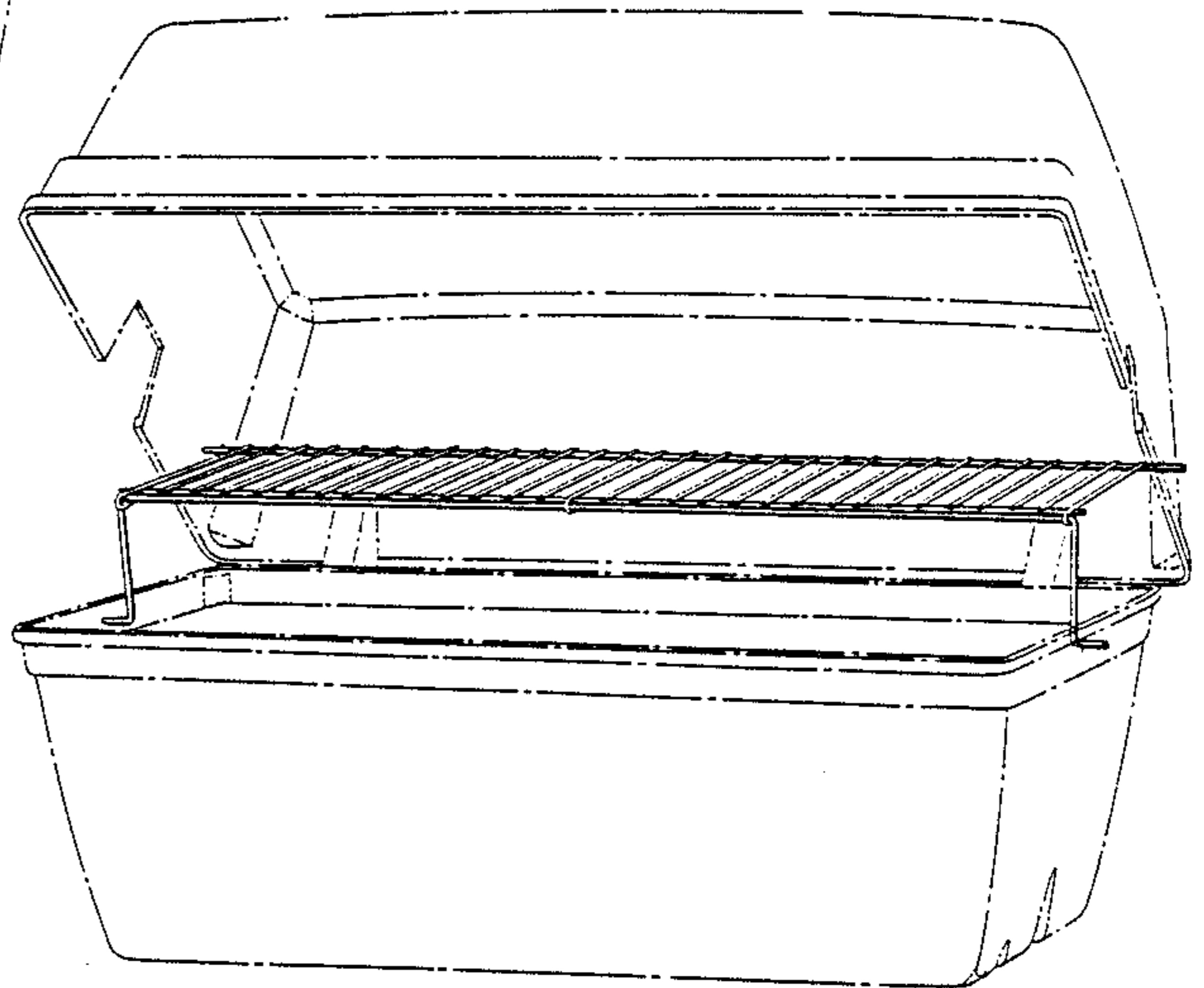
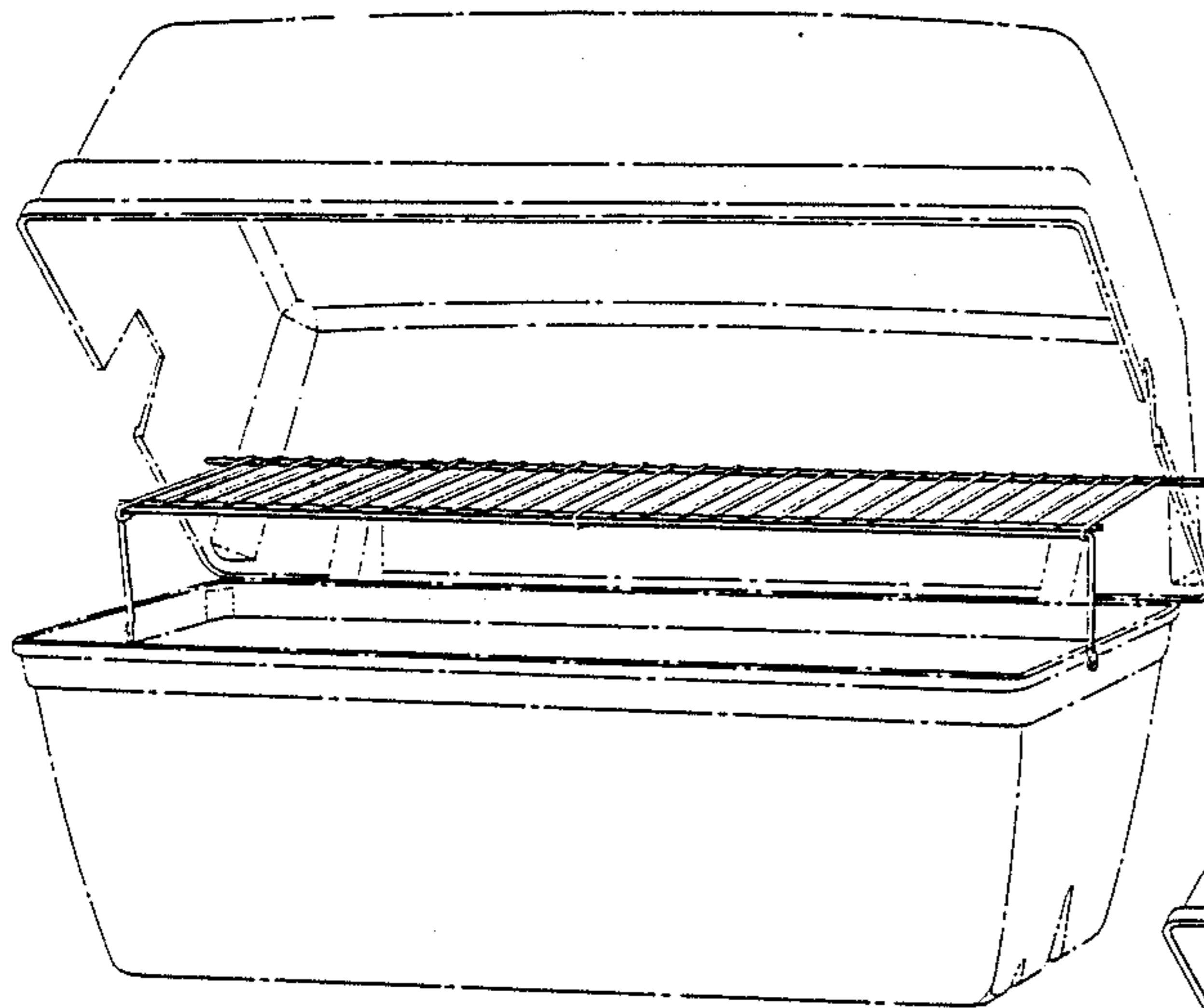
Primary Examiner—Wallace R. Burke
Assistant Examiner—Ruth E. Takemoto
Attorney, Agent, or Firm—Newton, Hopkins & Ormsby

[57] CLAIM

The ornamental design for a warming rack, as shown and described.

DESCRIPTION

FIG. 1 is a perspective view of a warming rack showing my new design;
FIG. 2 is a top plan view thereof;
FIG. 3 is a bottom plan view thereof;
FIG. 4 is a front elevational view thereof;
FIG. 5 is a rear elevational view thereof;
FIG. 6 is an end elevational view thereof, the opposite side being a mirror image;
FIG. 7 is a perspective view of a second embodiment thereof;
FIG. 8 is a top plan view thereof;
FIG. 9 is a bottom plan view thereof;
FIG. 10 is a front elevational view thereof;
FIG. 11 is a rear elevational view thereof;
FIG. 12 is an end elevational view thereof, the opposite side being a mirror image.
The barbecue housing shown in broken lines in FIGS. 1 and 7 is for illustrative purposes only and forms no part of the claimed design.



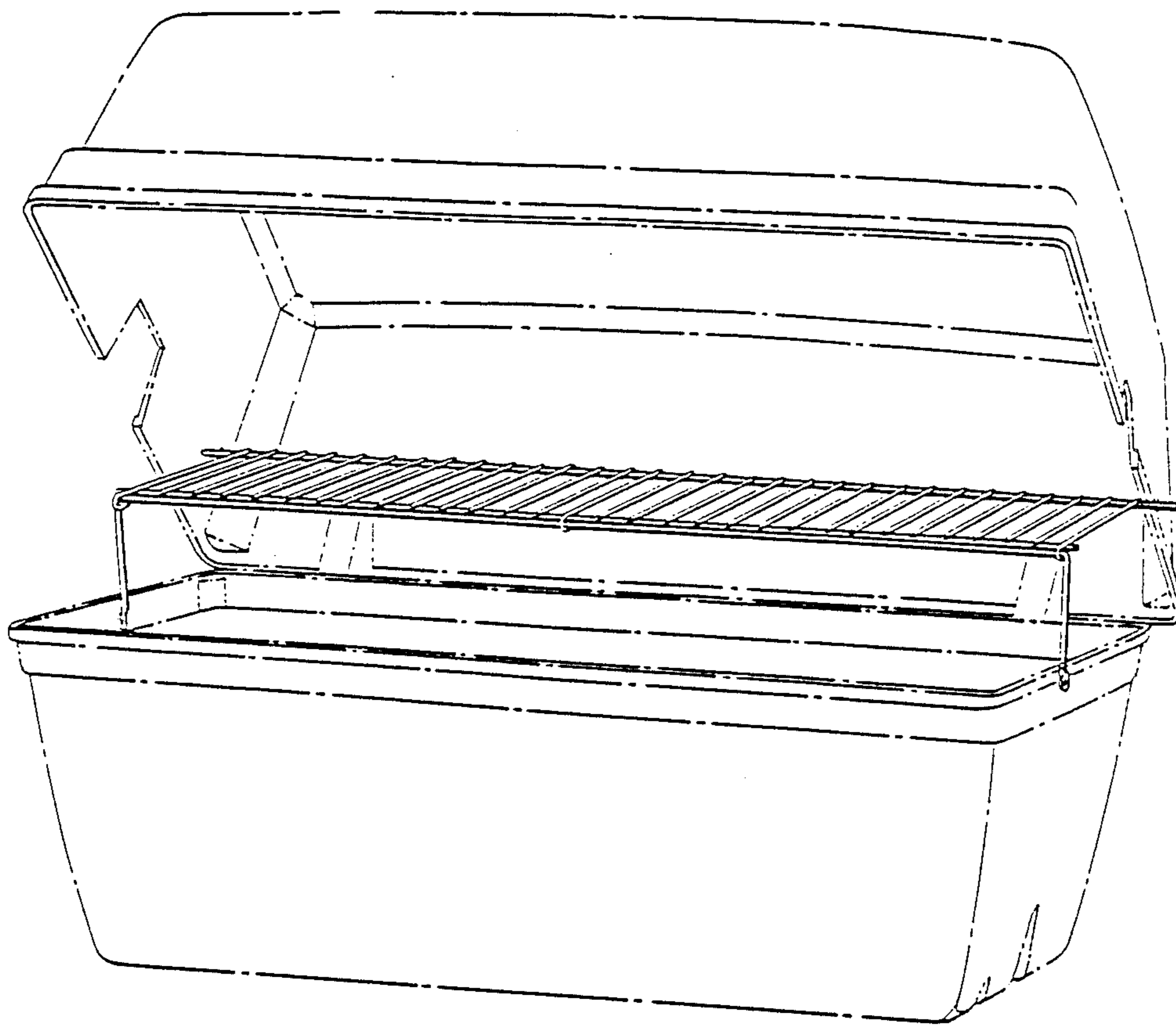


FIG 1

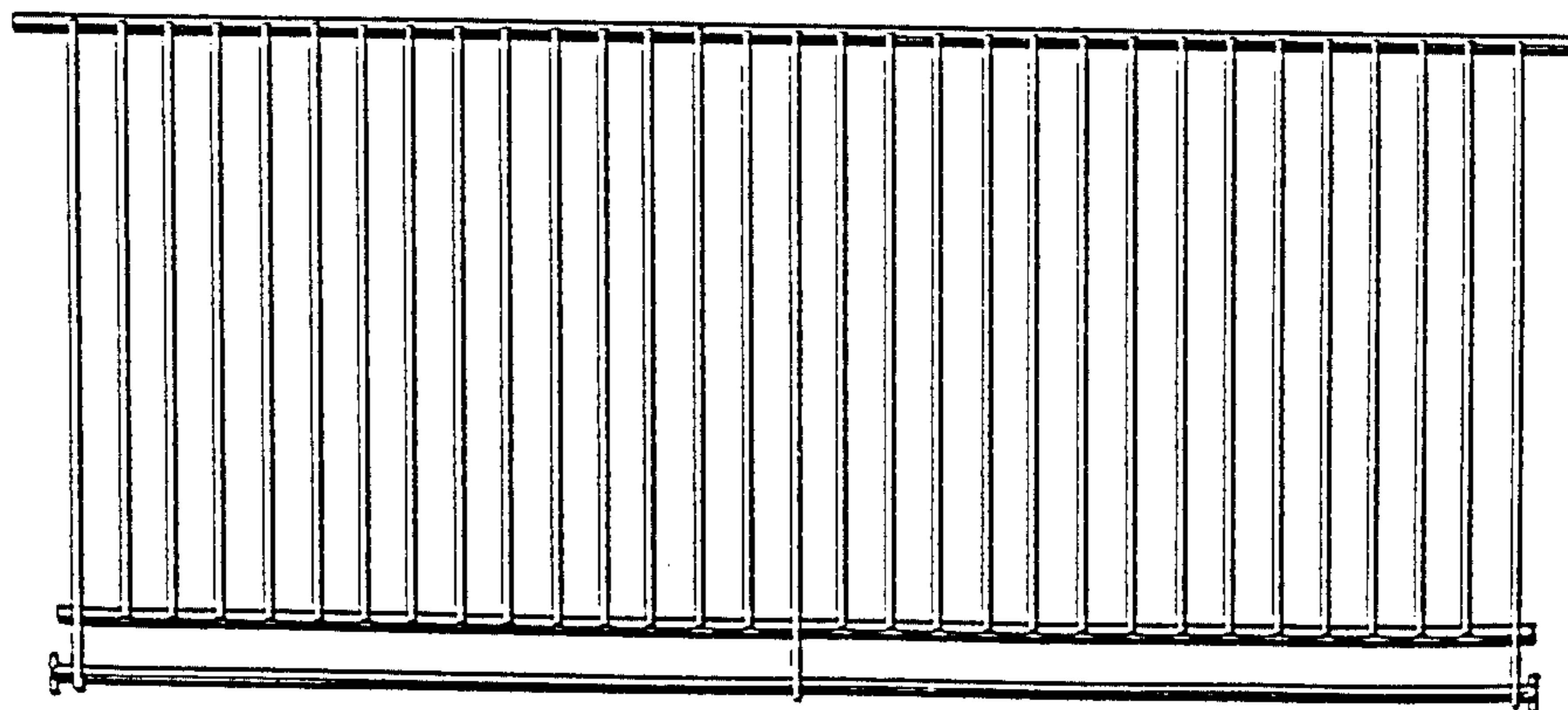


FIG 2

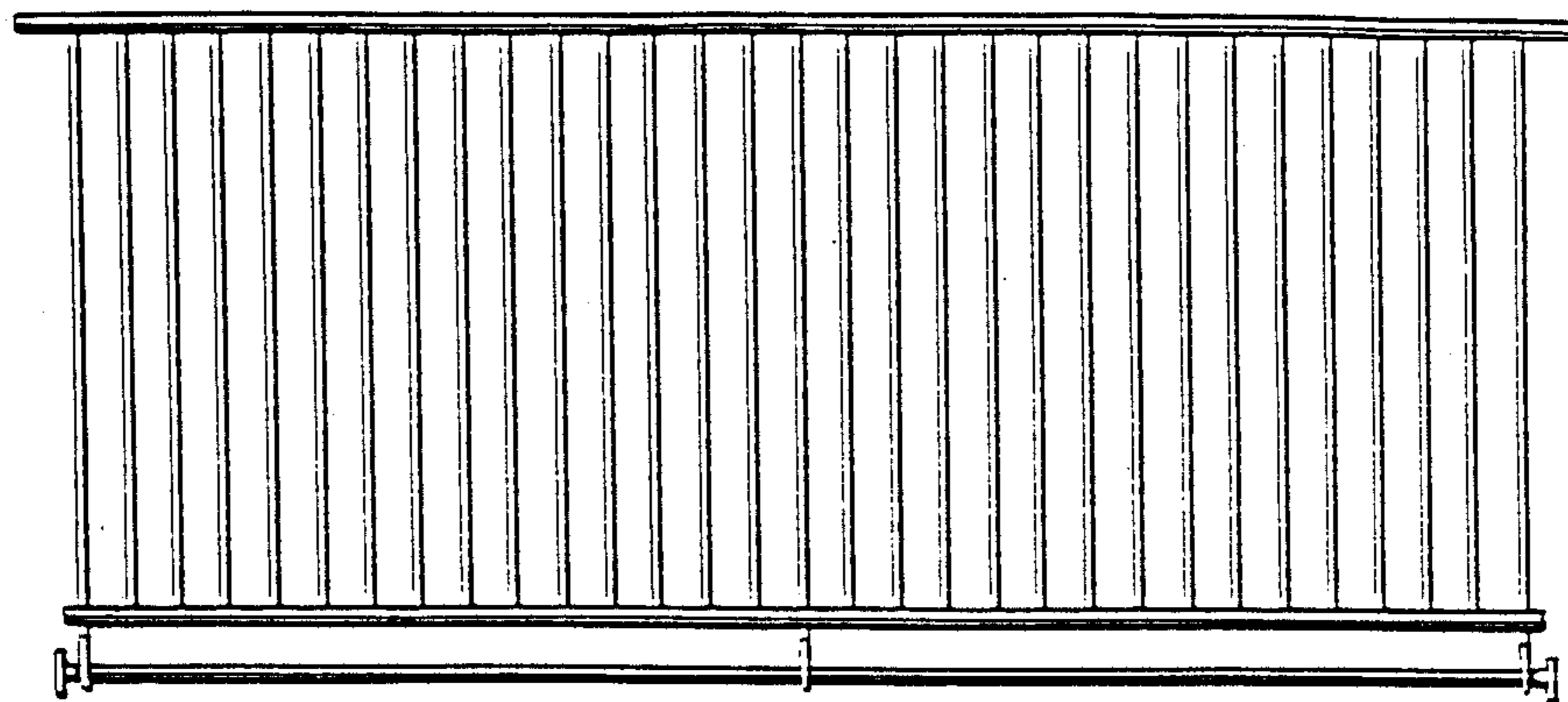


FIG 3

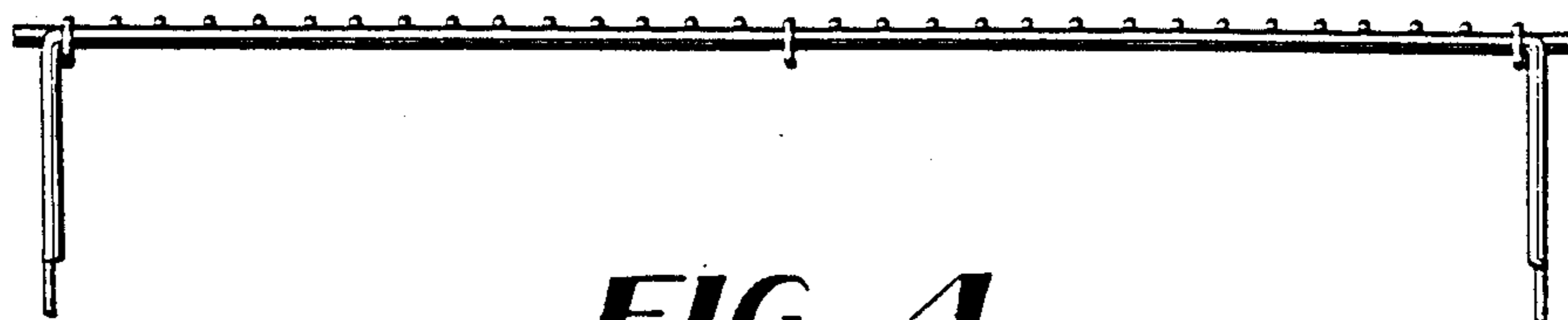


FIG 4



FIG 5

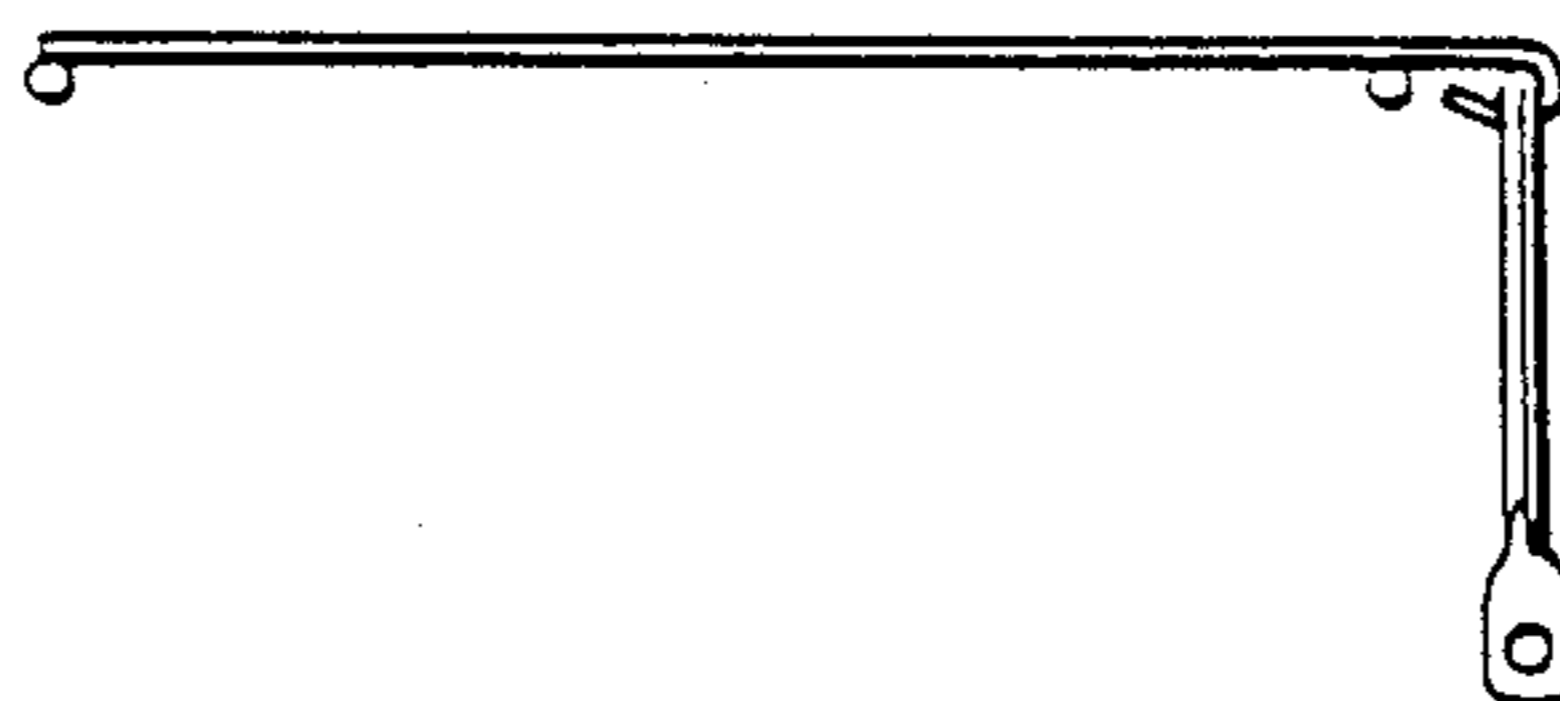


FIG 6

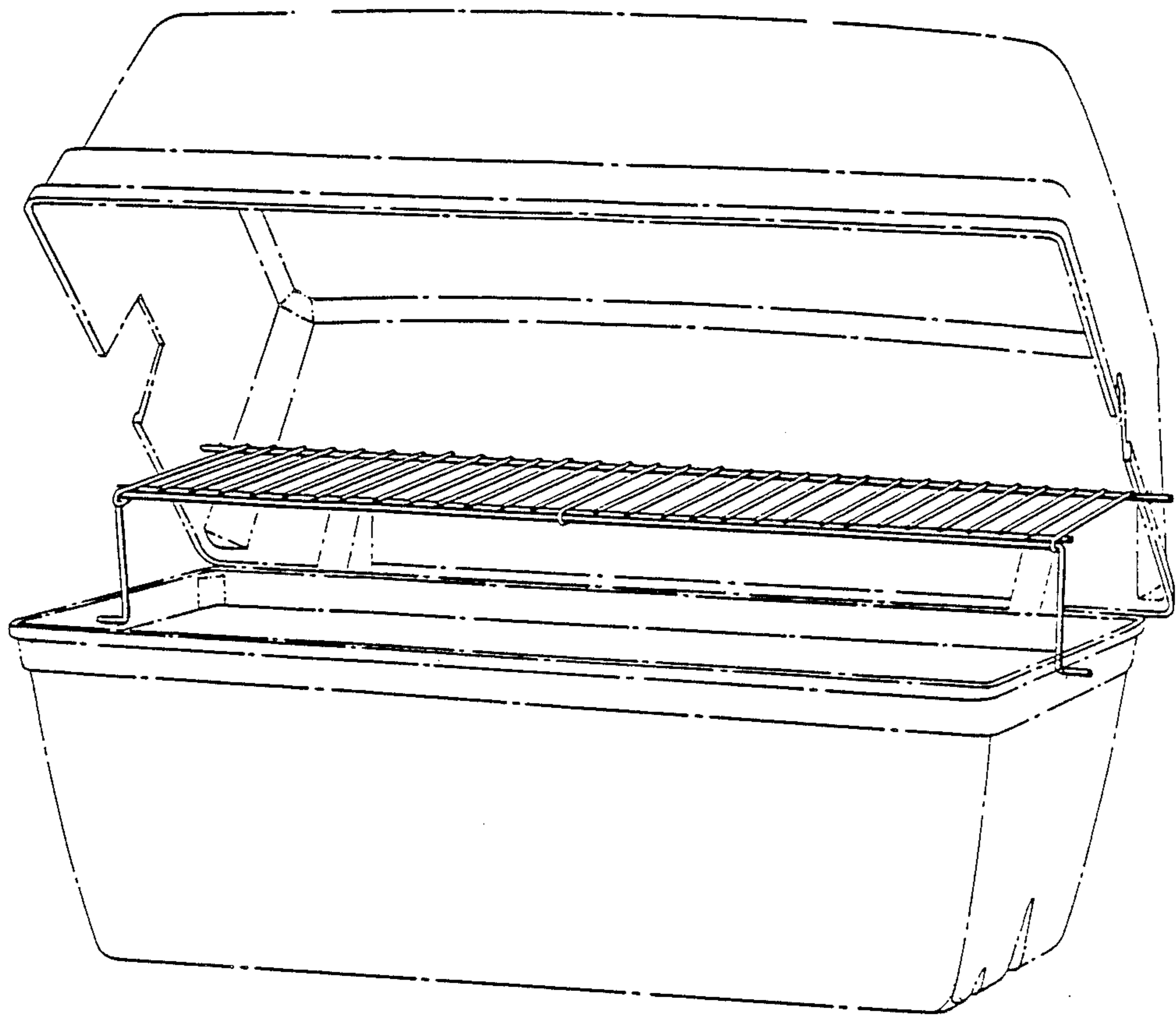


FIG 7

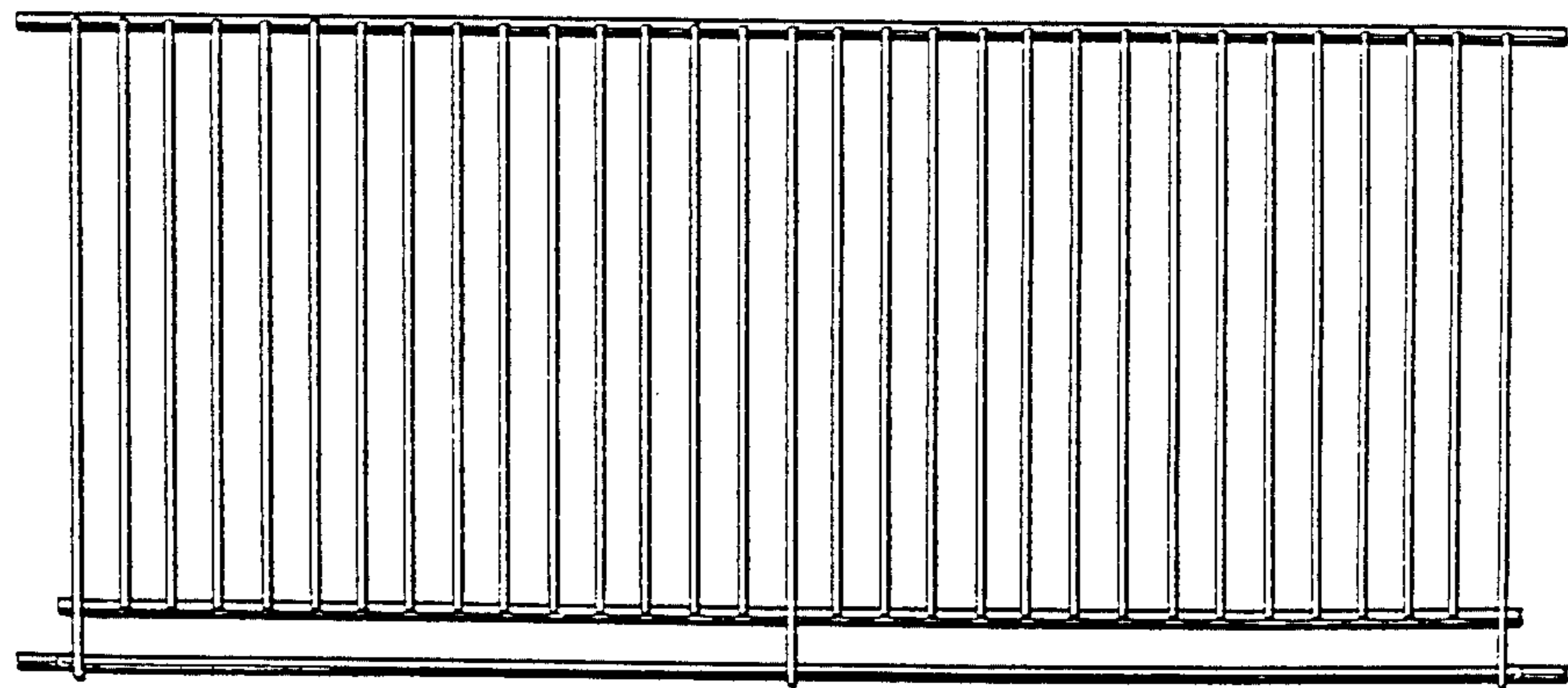


FIG 8

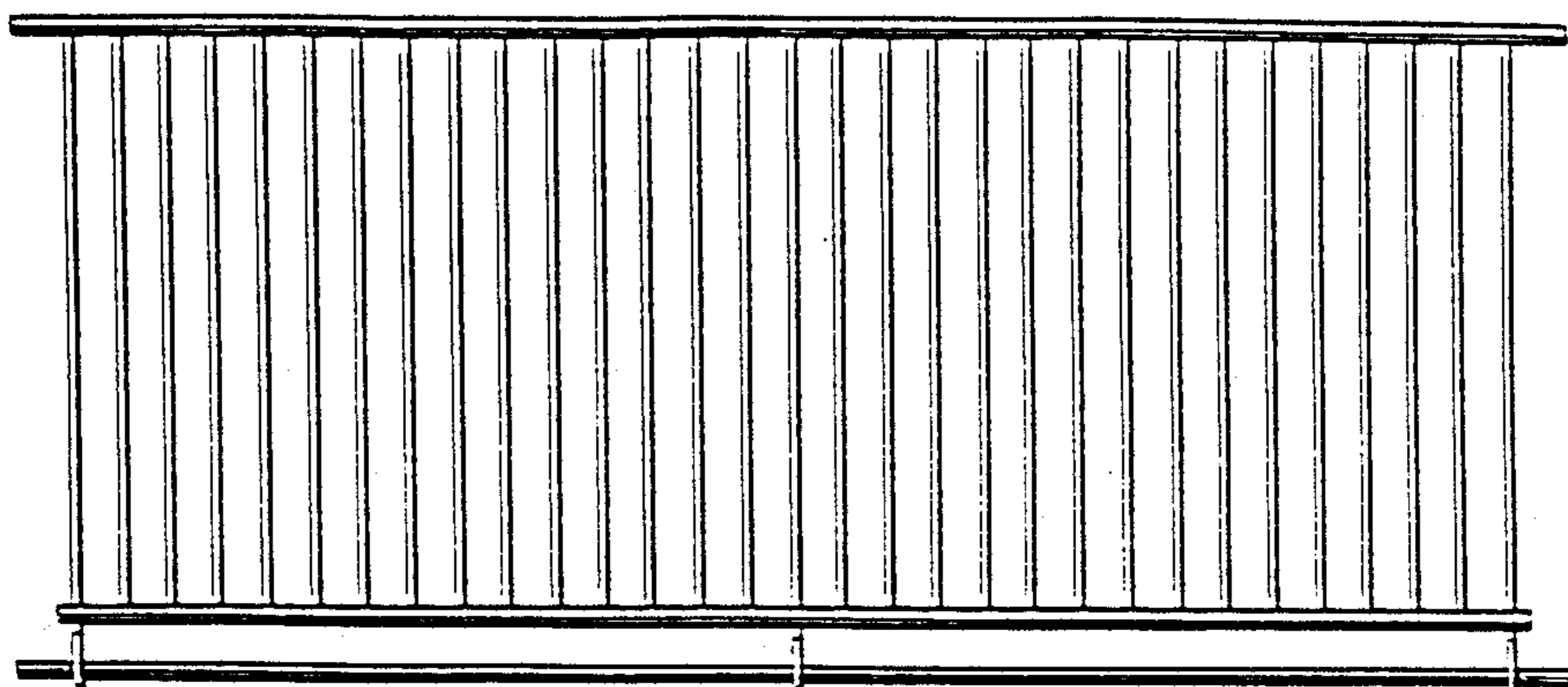


FIG 9

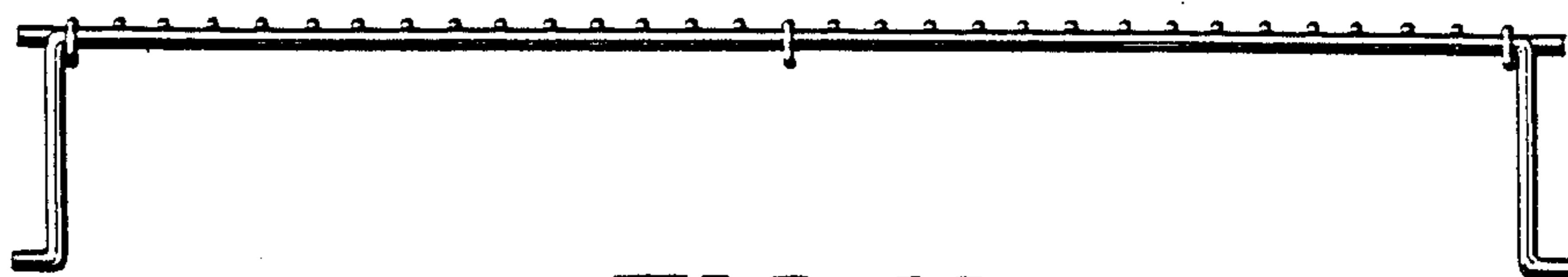


FIG 10

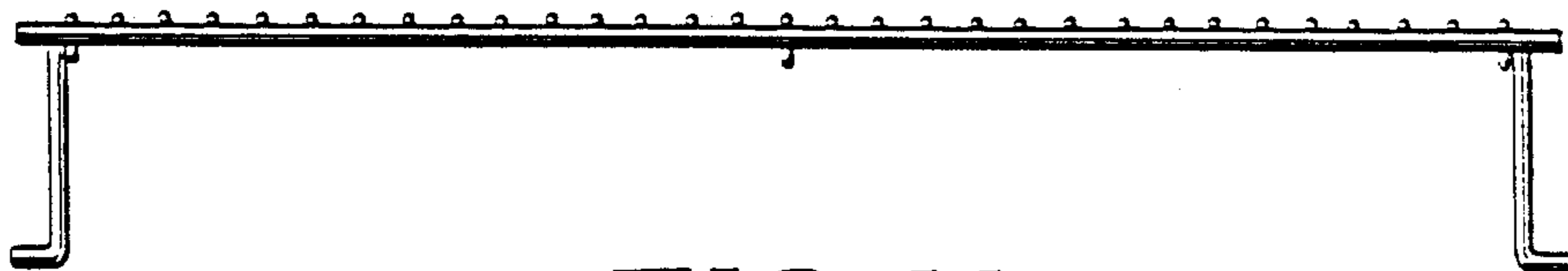


FIG 11

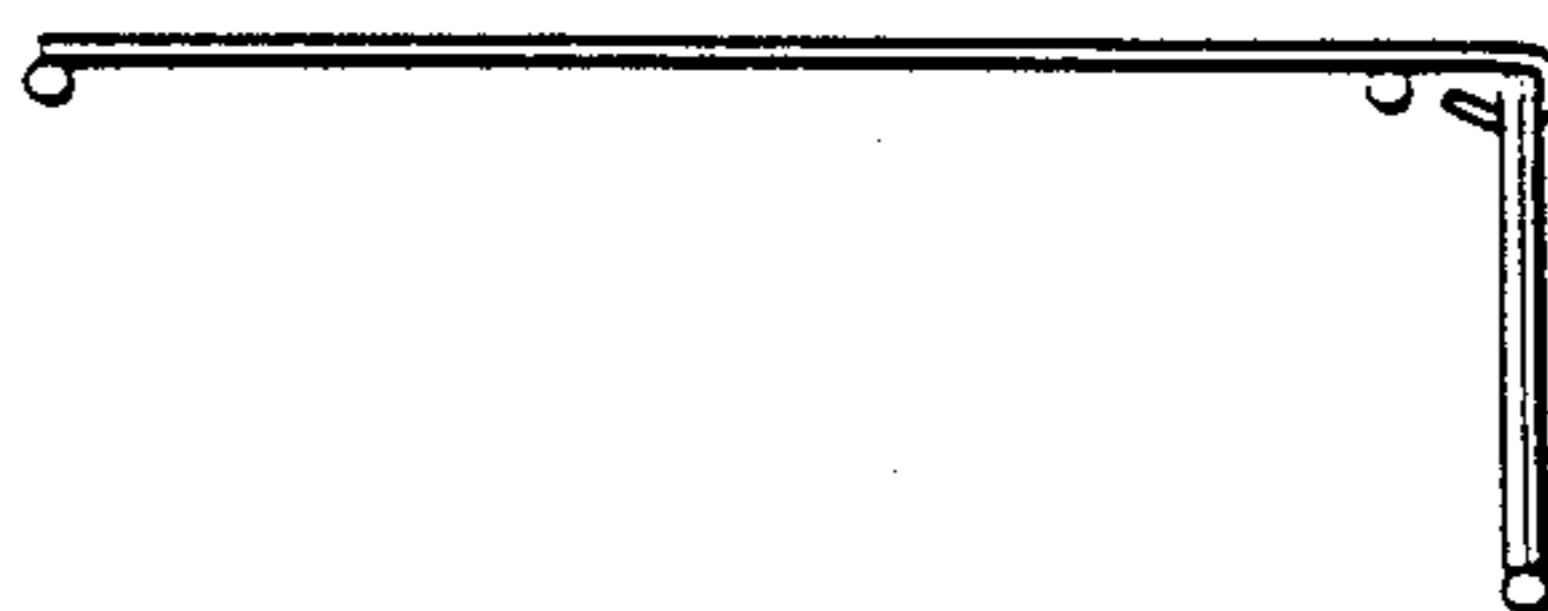


FIG 12