

[54] STEAK KNIFE

[75] Inventor: Irving L. Mark, Highland Park, Ill.

[73] Assignee: Tip Top Corporation, Omaha, Nebr.

[\*\*] Term: 14 Years

[21] Appl. No.: 694,264

[22] Filed: Jan. 24, 1985

[52] U.S. Cl. .... D7/151; D7/150

[58] Field of Search ..... D7/151, 150, 152, 137, D7/147

[56] References Cited

U.S. PATENT DOCUMENTS

D. 123,645 11/1940 Carson ..... D7/150

FOREIGN PATENT DOCUMENTS

334745 1/1959 Switzerland ..... D7/151 X

393980 11/1965 Switzerland ..... D7/151 X

OTHER PUBLICATIONS

*Premium Practice*, Jun., 1967, p. 91, Ekco adv. Slicer/-Server Knife Scalloped Blade, Offset Handle.

*Alfred Zanger Co.*, brochure 11-4-73, Handle with Two Rivets on cover at r.

*Primary Examiner*—Winifred E. Herrmann

*Attorney, Agent, or Firm*—Larson and Taylor

[57] CLAIM

The ornamental design of a steak knife, as shown and described.

DESCRIPTION

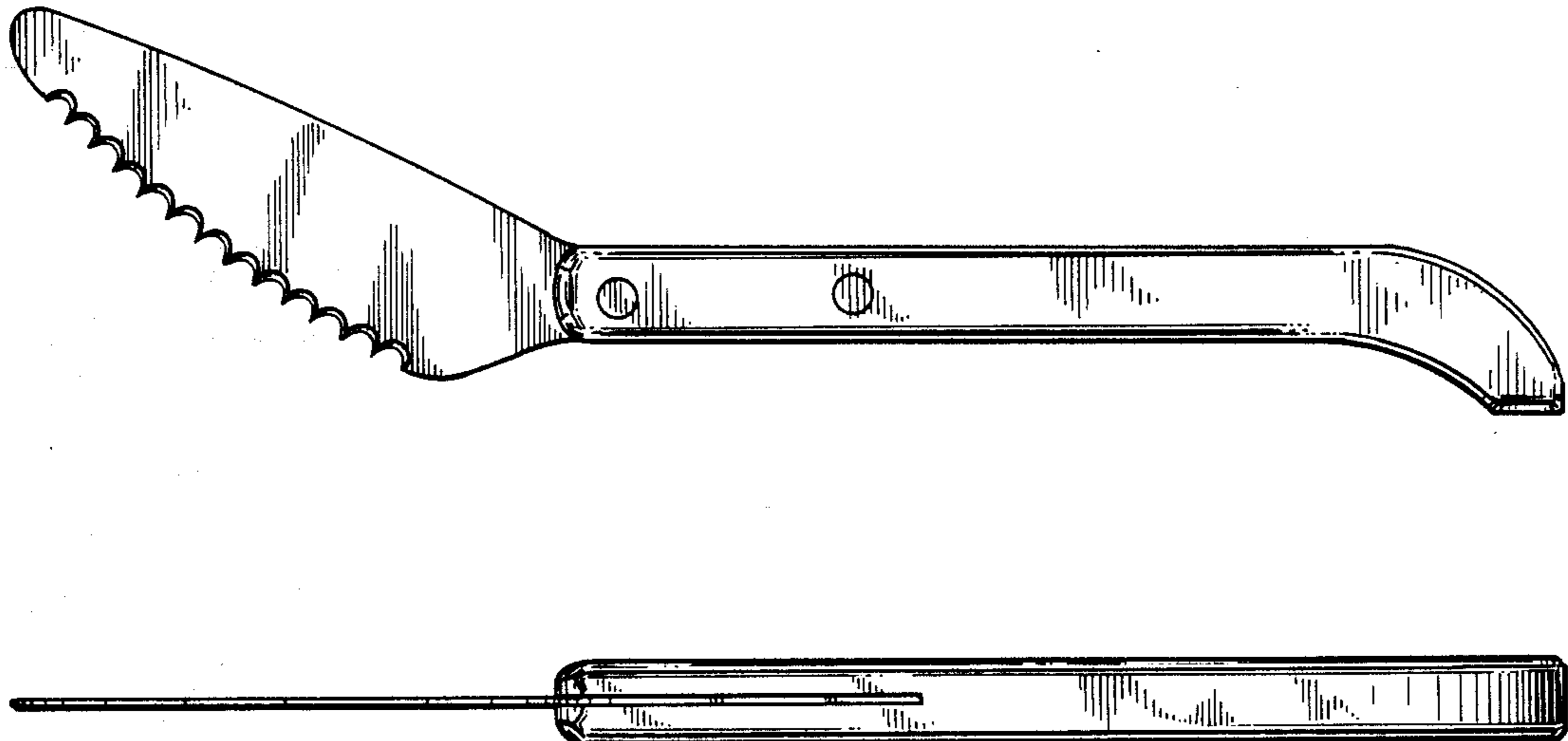
FIG. 1 is a top plan view of a steak knife showing my new design, the opposite or bottom plan view not shown is a mirror image thereof;

FIG. 2 is a left side elevational view thereof;

FIG. 3 is a right side elevational view thereof;

FIG. 4 is an end elevational view thereof from the bottom of FIG. 1; and

FIG. 5 is an end elevational view thereof from the top of FIG. 1.



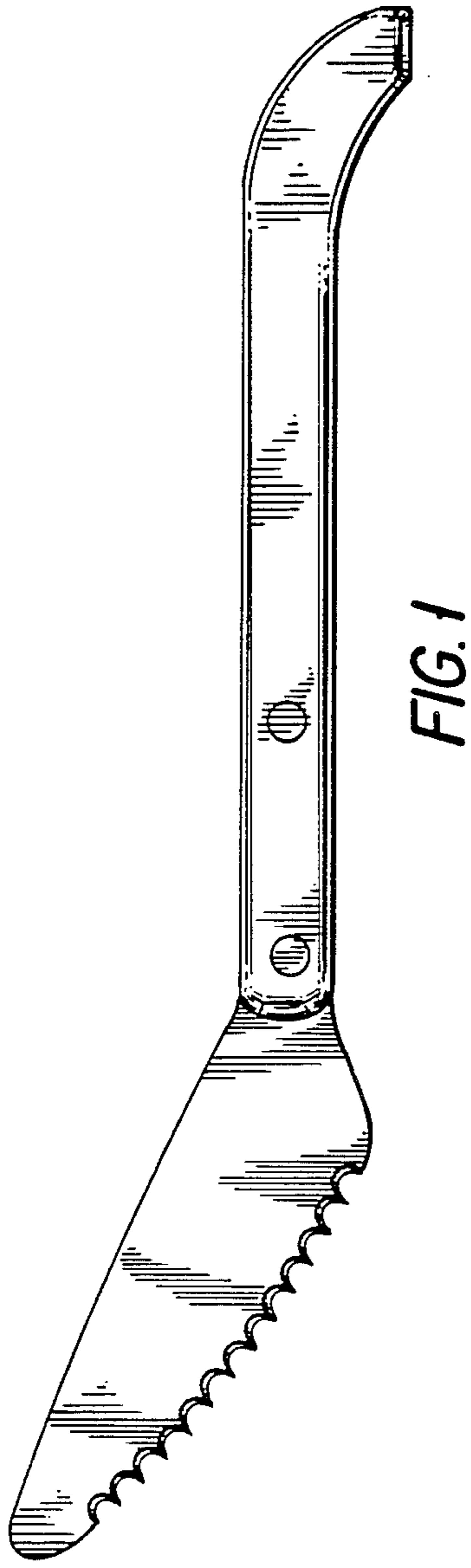


FIG. 1

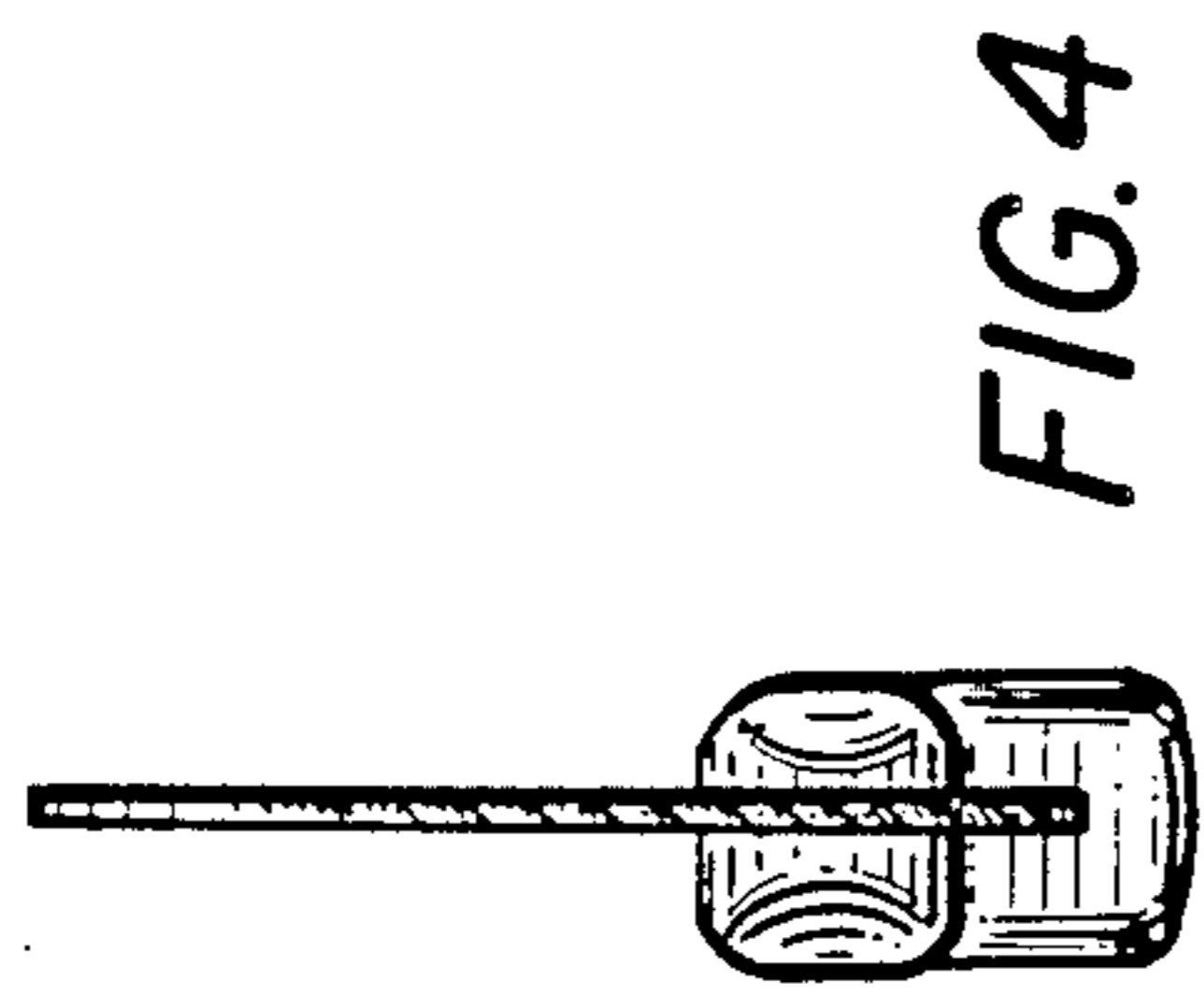


FIG. 4



FIG. 2

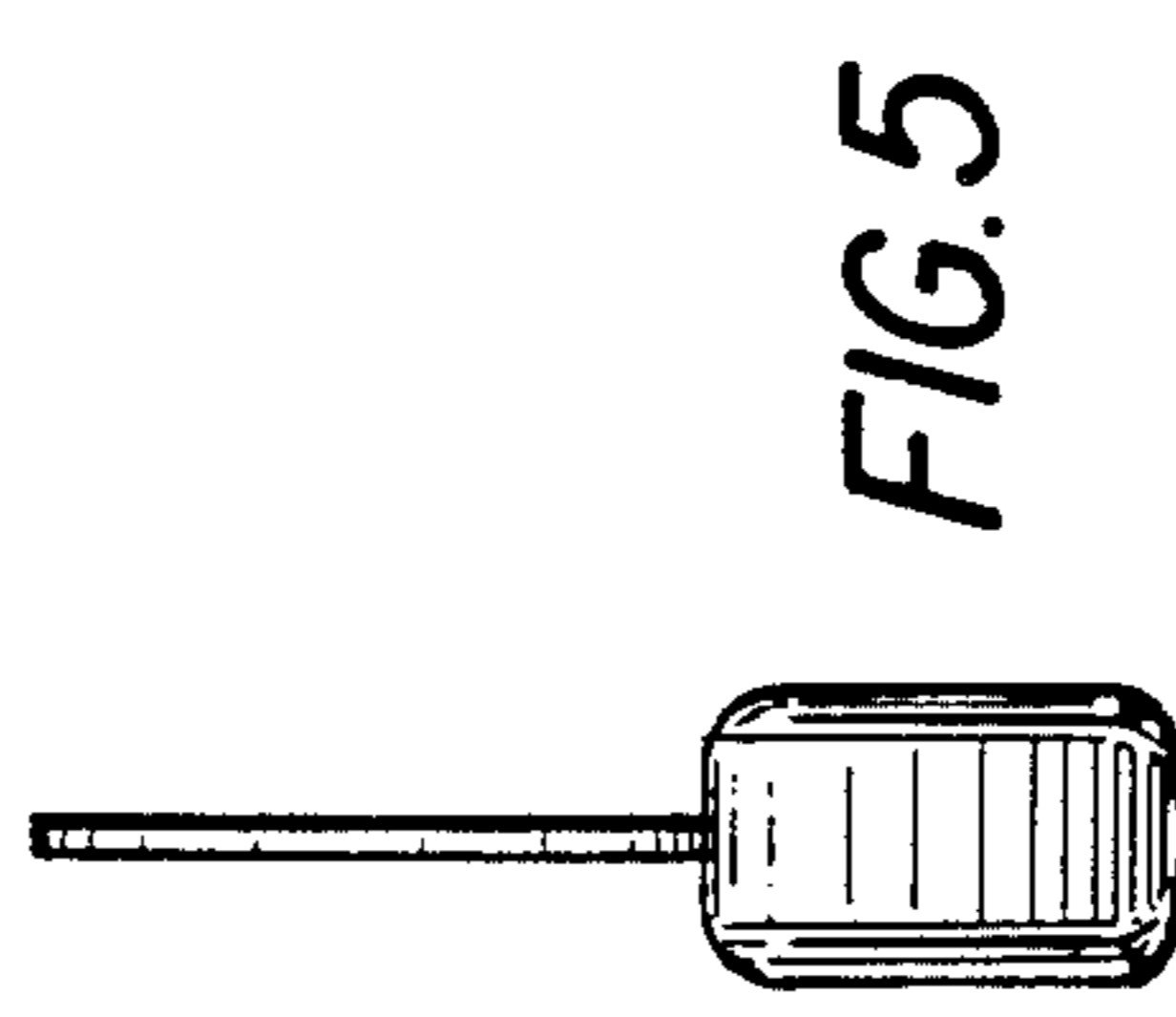


FIG. 5



FIG. 3