

[54] BAG ORGANIZER

[75] Inventor: John P. Chap, Lemont, Ill.

[73] Assignee: Selfix, Inc., Chicago, Ill.

[**] Term: 14 Years

[21] Appl. No.: 766,183

[22] Filed: Aug. 16, 1985

[52] U.S. Cl. D6/566; D6/569

[58] Field of Search D6/553, 566, 569; D8/373; 248/302; 211/12, 13, 50, 87, 89, 106, 181

[56] References Cited

U.S. PATENT DOCUMENTS

D. 191,520	10/1961	Spielman	D6/566
D. 191,671	10/1961	Kaplan	D6/566
D. 194,574	2/1963	Reeser	D6/566
959,839	5/1910	Buehler	211/50
1,070,169	8/1913	Ott	211/50
1,089,569	3/1914	MacKinnon	211/106
2,890,800	6/1959	Gibson	211/106
3,019,908	2/1962	Theurer	211/50

Primary Examiner—B. J. Bullock

Attorney, Agent, or Firm—Dressler, Goldsmith, Shore, Sutker & Milnamow, Ltd.

[57] CLAIM

The ornamental design for a bag organizer, substantially as shown and described.

DESCRIPTION

FIG. 1 is a perspective view of a bag organizer showing my new design;

FIG. 2 is an enlarged top plan view thereof;

FIG. 3 is an enlarged front elevational view thereof;

FIG. 4 is an enlarged fragmentary front elevational view of a second embodiment of the design of FIG. 1, the only difference being the configuration of the eyes;

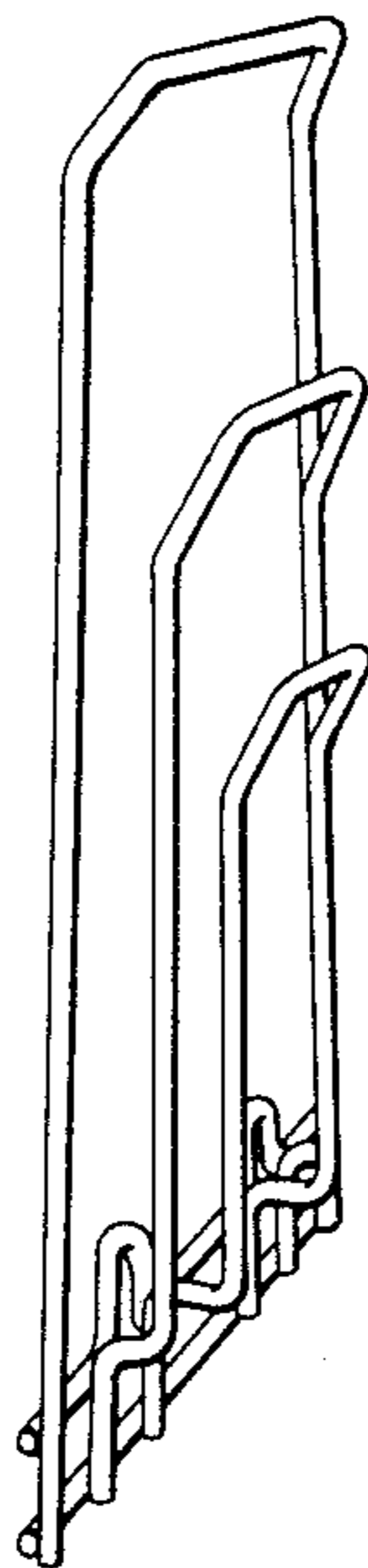
FIG. 5 is an enlarged right side elevational view of FIG. 1;

FIG. 6 is a perspective view of a third embodiment of the design of FIG. 1;

FIG. 7 is an enlarged top plan view of FIG. 6;

FIG. 8 is an enlarged front elevational view of FIG. 6;

FIG. 9 is an enlarged right side elevational view of FIG. 6.



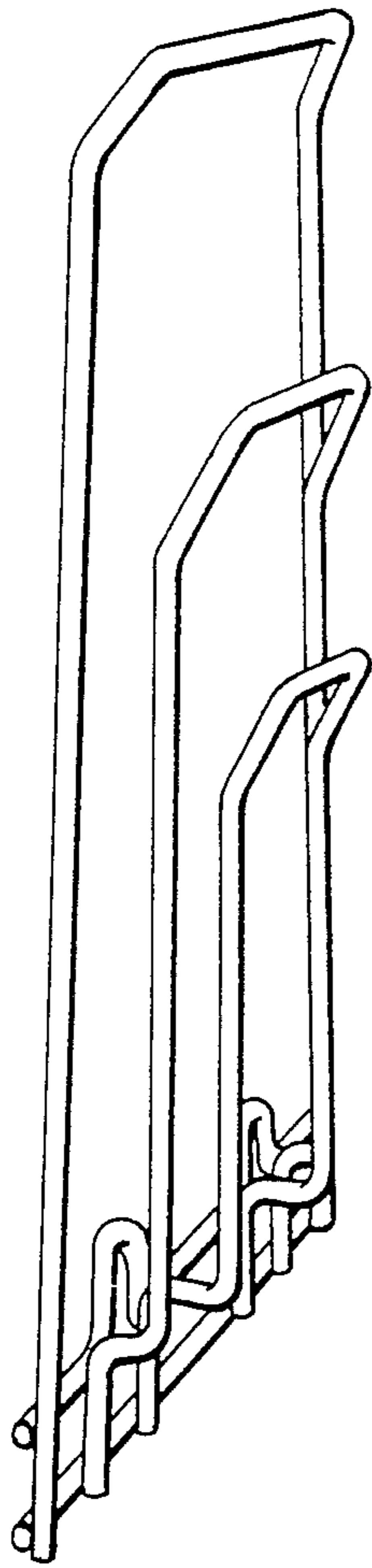


FIG. 1

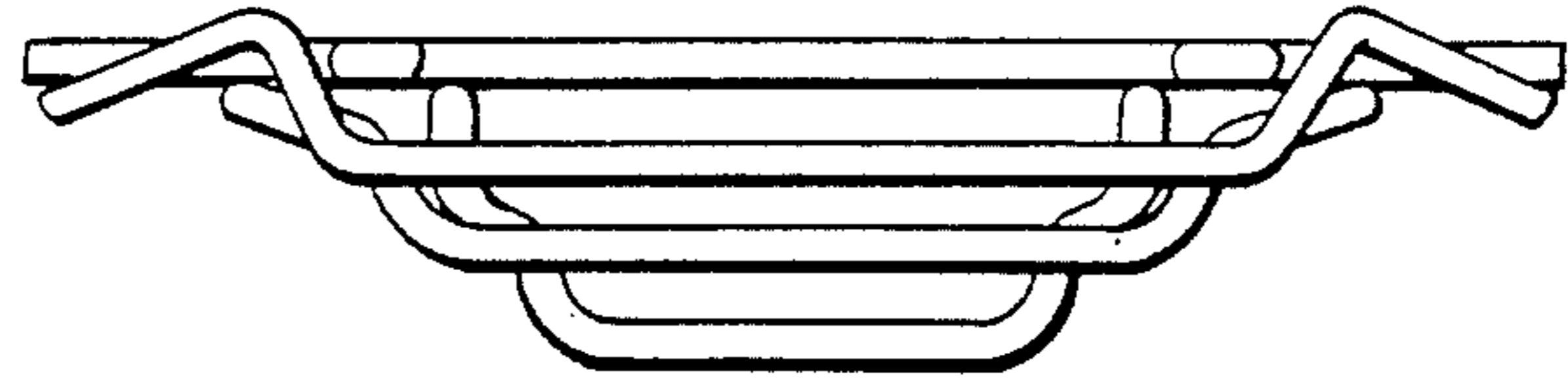


FIG. 2

FIG. 3

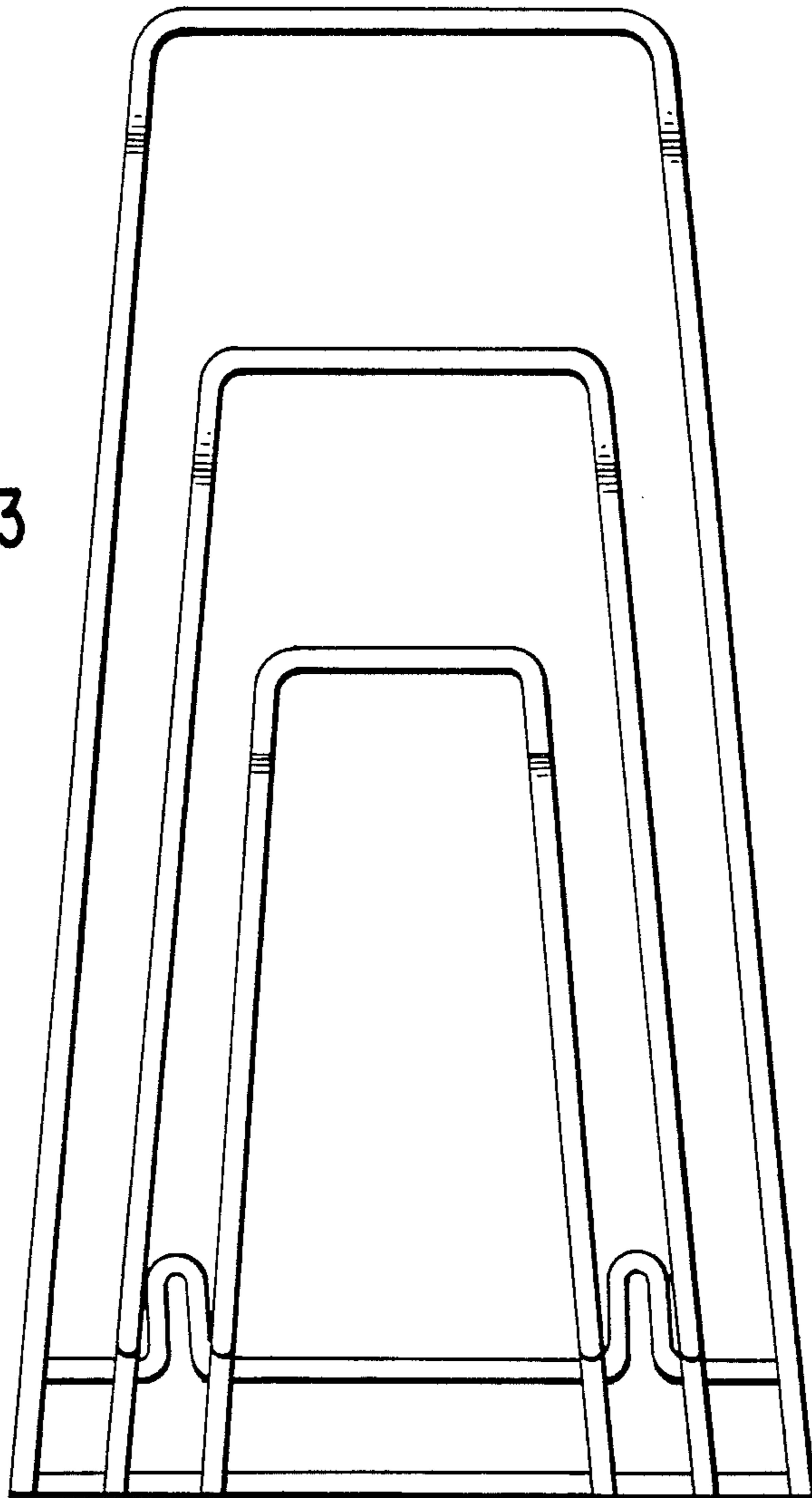


FIG. 4

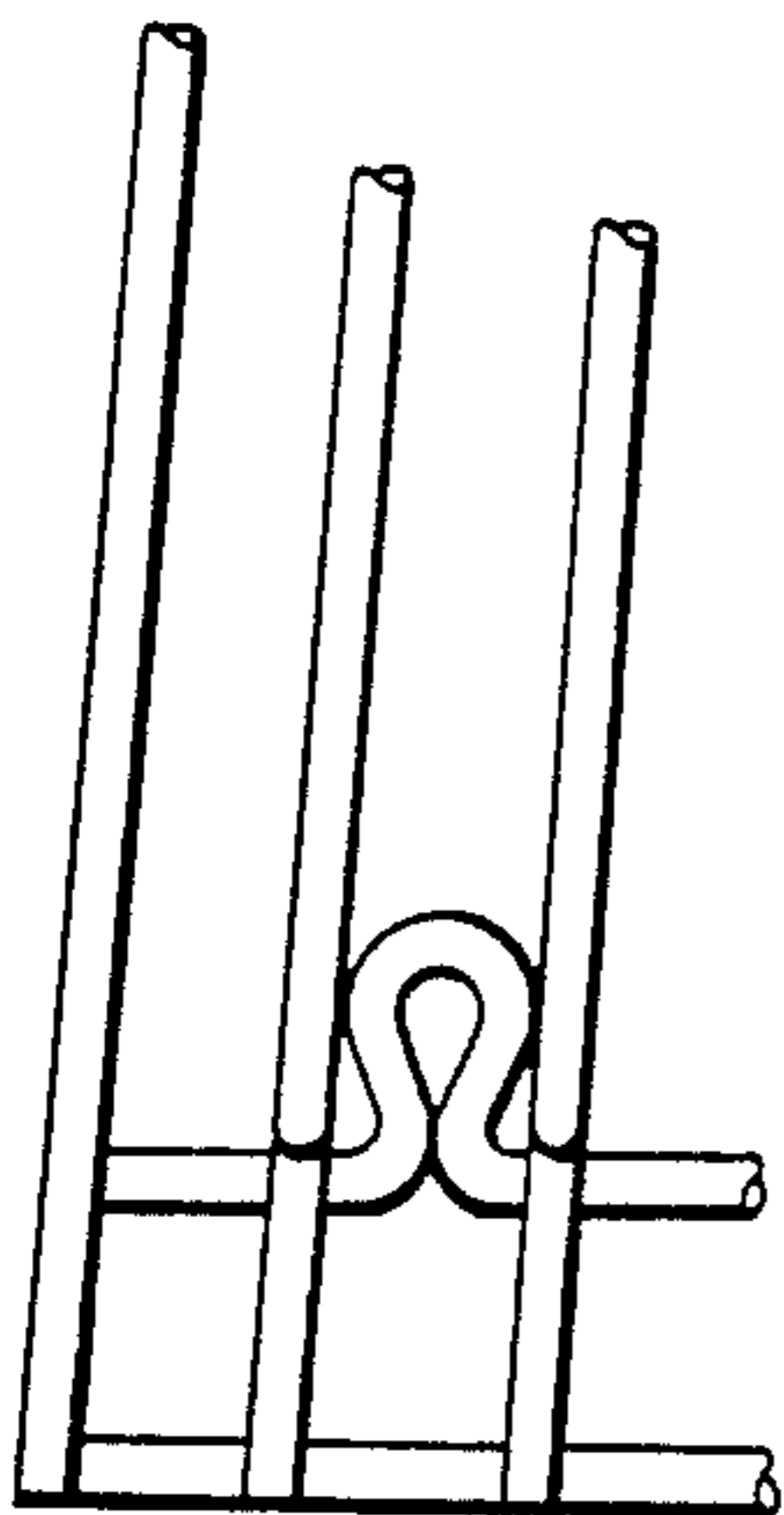
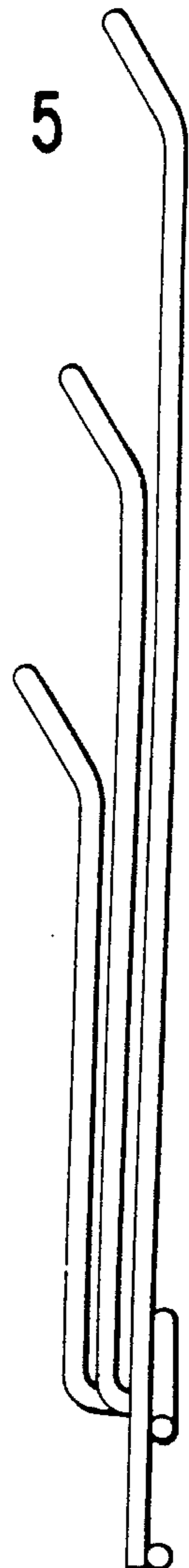


FIG. 5



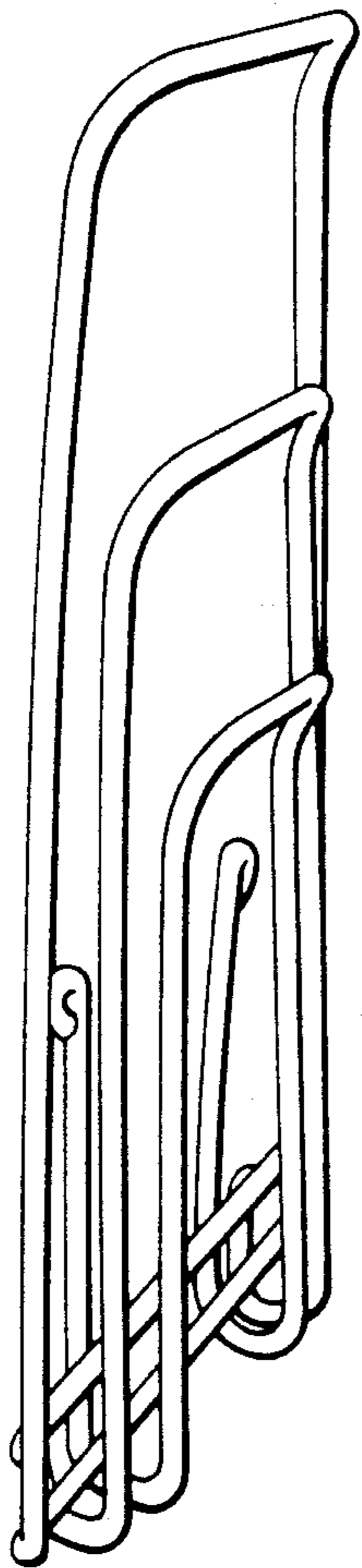


FIG. 6

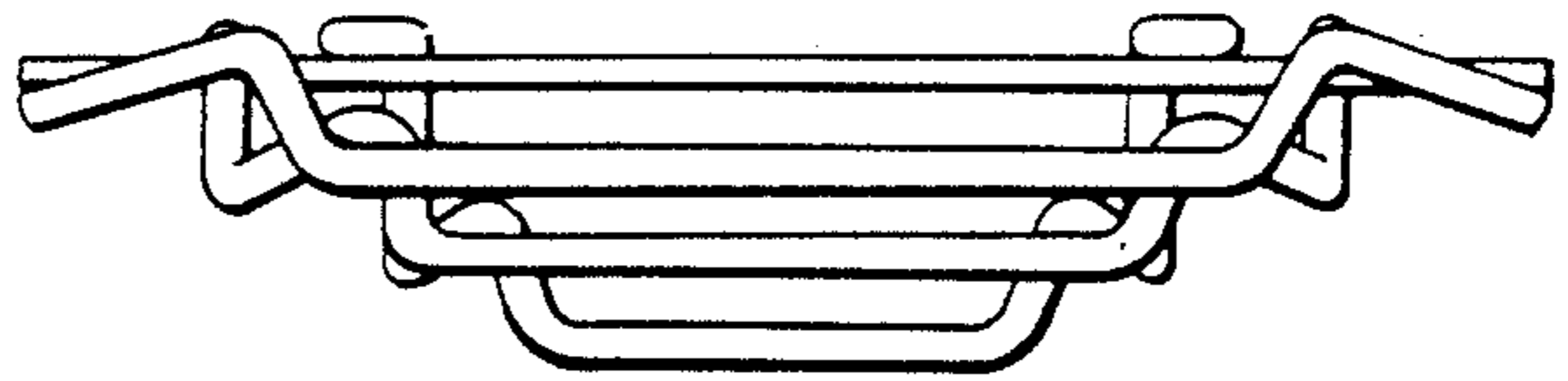


FIG. 7

FIG. 8

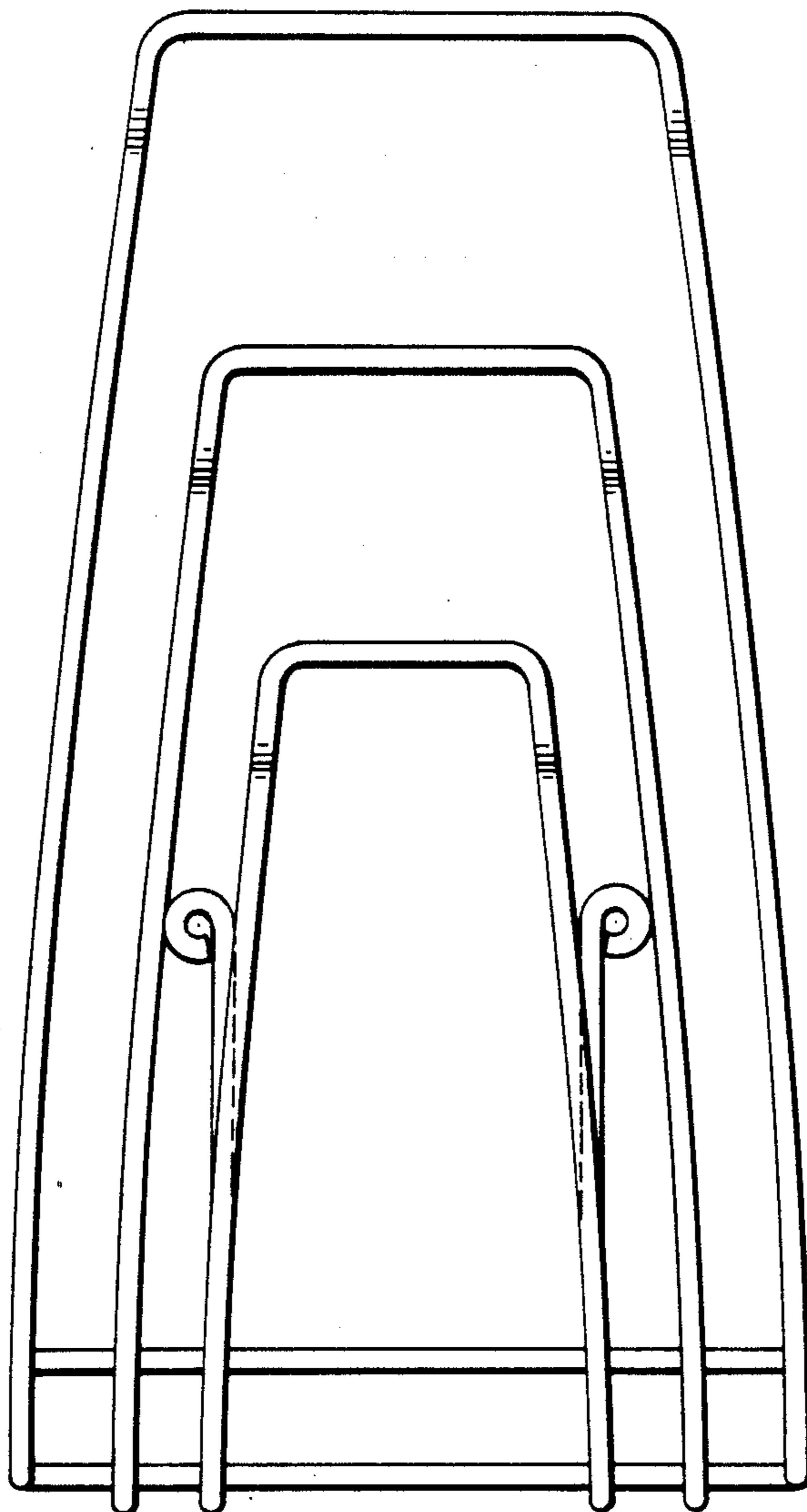


FIG. 9

