

[54] SPICE RACK
[75] Inventor: John P. Chap, Lemont, Ill.
[73] Assignee: Selfix, Inc., Chicago, Ill.
[**] Term: 14 Years
[21] Appl. No.: 766,182
[22] Filed: Aug. 16, 1985
[52] U.S. Cl. D6/566; D6/570;
D6/574
[58] Field of Search D6/553, 566, 569, 570,
D6/571, 573, 574, 567; 211/87, 88, 106, 126,
181, 13, 50; 248/302

[56] **References Cited**
U.S. PATENT DOCUMENTS
D. 285,156 8/1986 Chap D6/566
1,378,902 5/1921 Roehl 211/106

1,741,928 12/1929 Gafney 211/106
1,800,646 4/1931 Kottke 211/106
2,608,305 8/1952 Sager 211/106
2,758,724 8/1956 Schneider 211/106

Primary Examiner—B. J. Bullock
Attorney, Agent, or Firm—Dressler, Goldsmith, Shore,
Sutker & Milnamow, Ltd.

[57] **CLAIM**

The ornamental design for a spice rack, substantially as shown and described.

DESCRIPTION

FIG. 1 is a perspective view of a spice rack showing my new design;
FIG. 2 is a left side elevational view thereof, the opposite side being a mirror image;
FIG. 3 is a top plan view thereof; and
FIG. 4 is a front elevational view thereof.

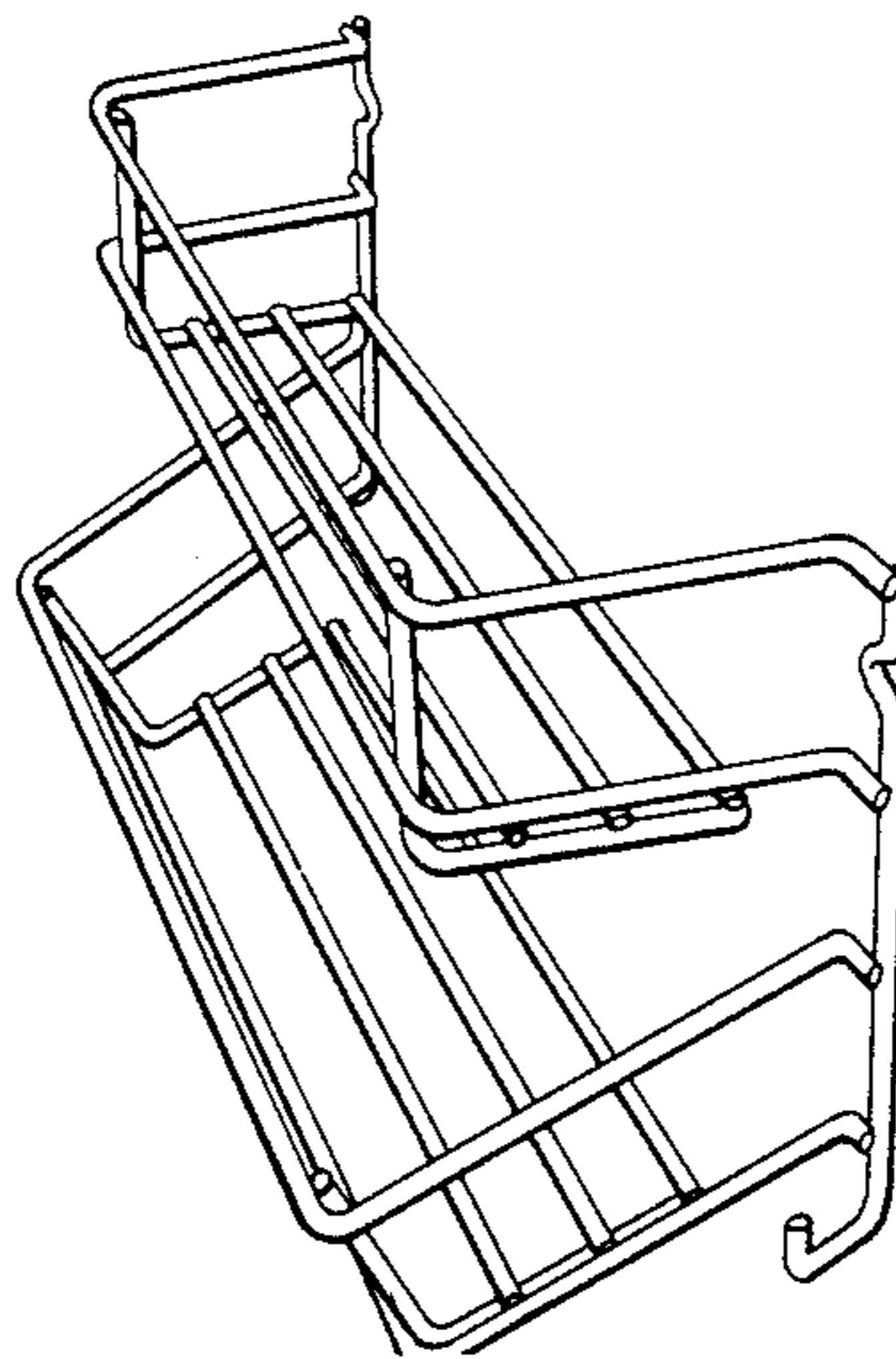


FIG. 1

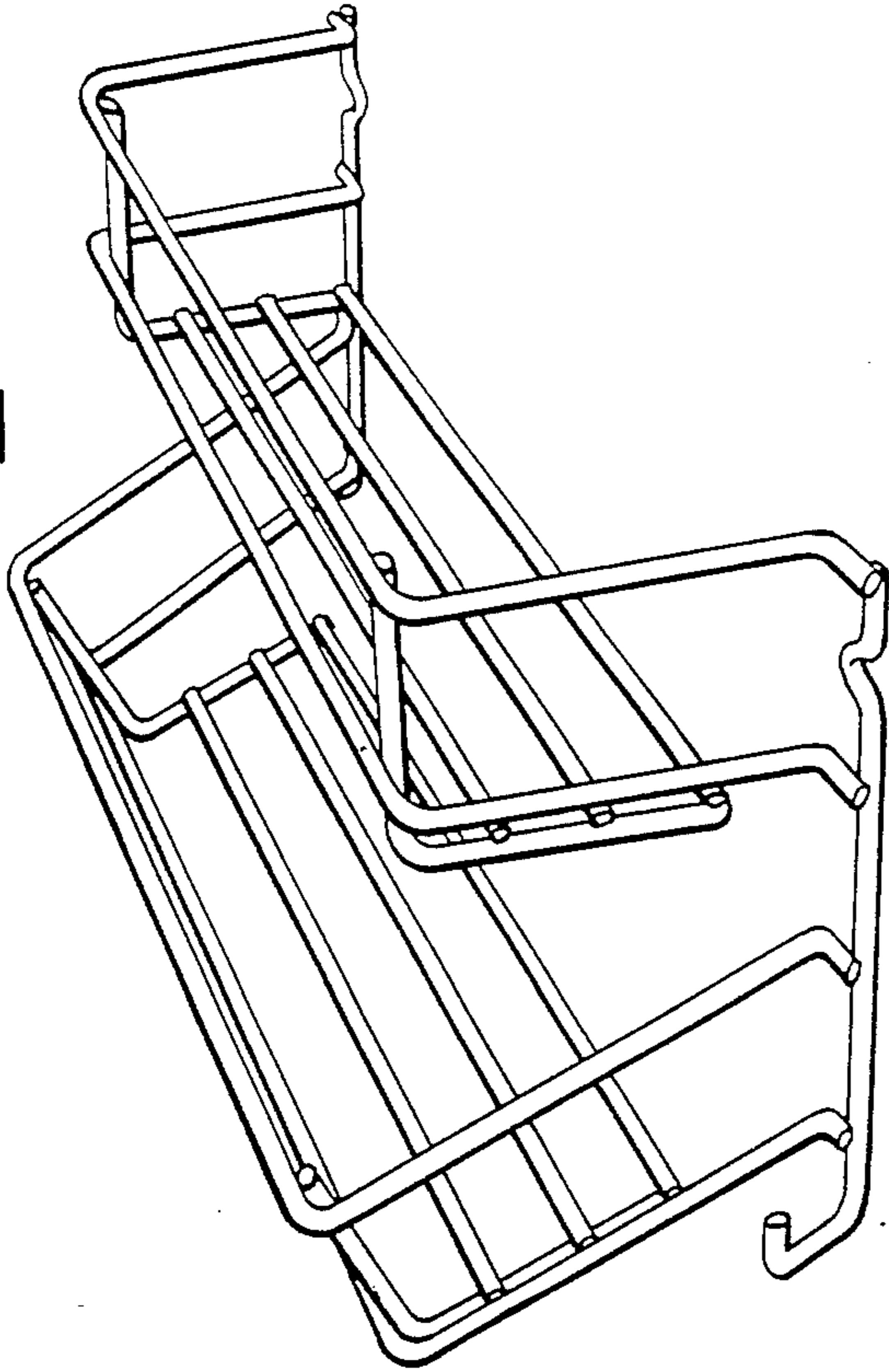


FIG. 2

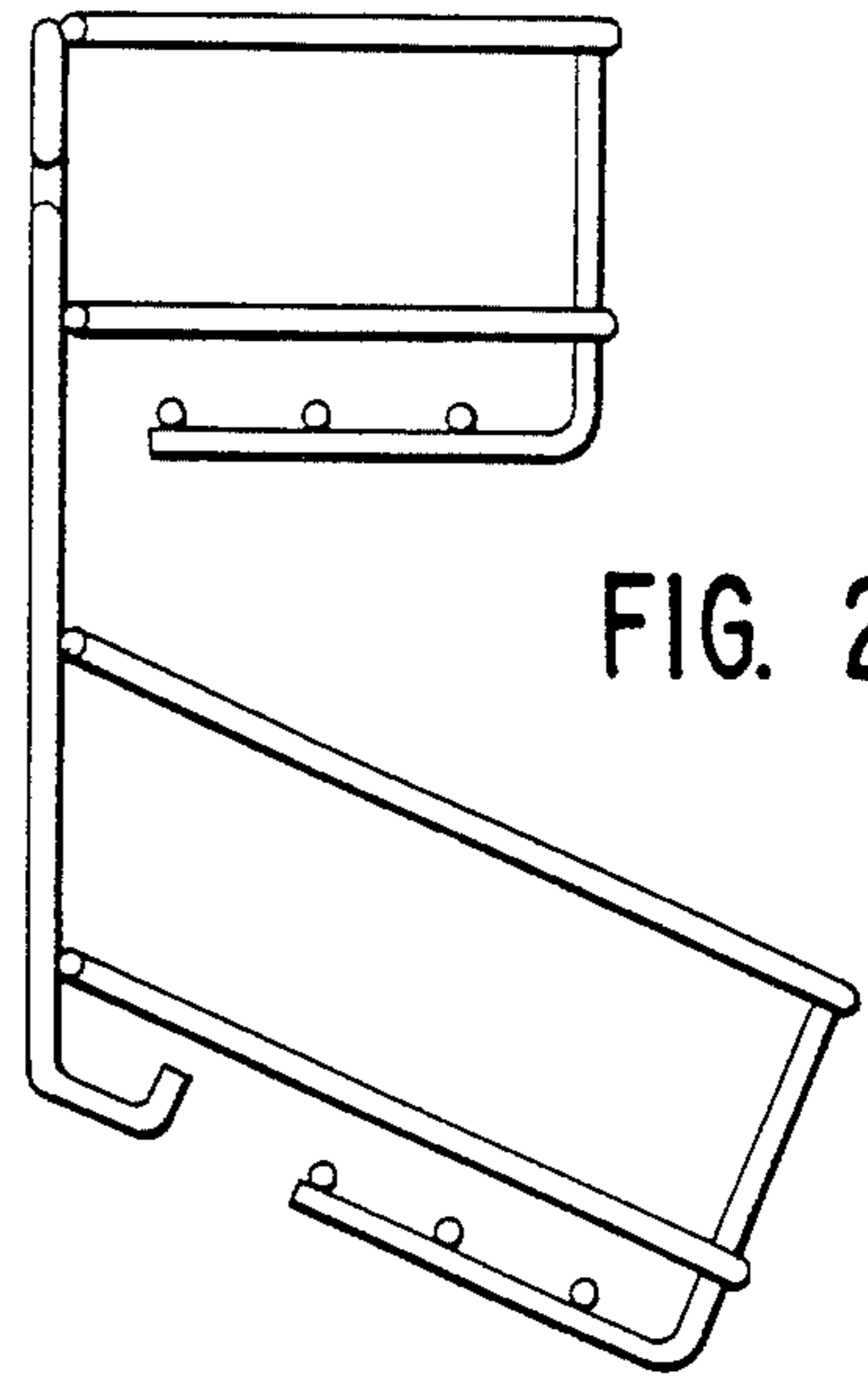


FIG. 3

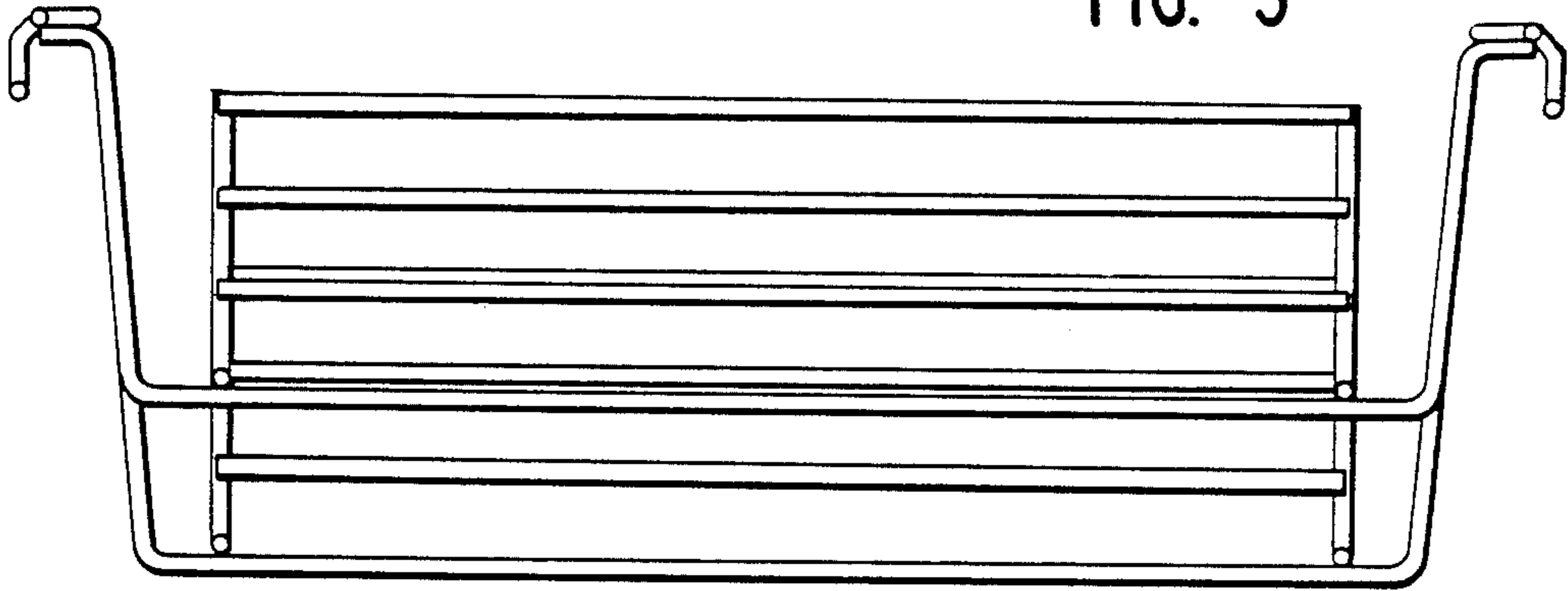


FIG. 4

