

- [54] COMBINED BOOK AND MAGAZINE
DISPLAY
- [76] Inventor: Judith Griswold, 1101 Southside Dr.,
Elko, Nev. 89801
- [**] Term: 14 Years
- [21] Appl. No.: 759,292
- [22] Filed: Jul. 26, 1985
- [52] U.S. Cl. D6/553; D6/573
- [58] Field of Search D6/512, 553, 573, 552,
D6/315; 211/13, 87; 150/52 R, 52 C

- 3,187,903 6/1965 Oltz 211/87
3,967,666 7/1976 Farrar D6/315
4,296,876 10/1981 Lefebvre D6/315

Primary Examiner—B. J. Bullock
Attorney, Agent, or Firm—Herbert C. Schulze

[57] CLAIM

The ornamental design for a combined book and magazine display, as shown and described.

DESCRIPTION

FIG. 1 is a front elevational view from the upper right side of the book and magazine display showing my new design;

FIG. 2 is a rear elevational view thereof; and

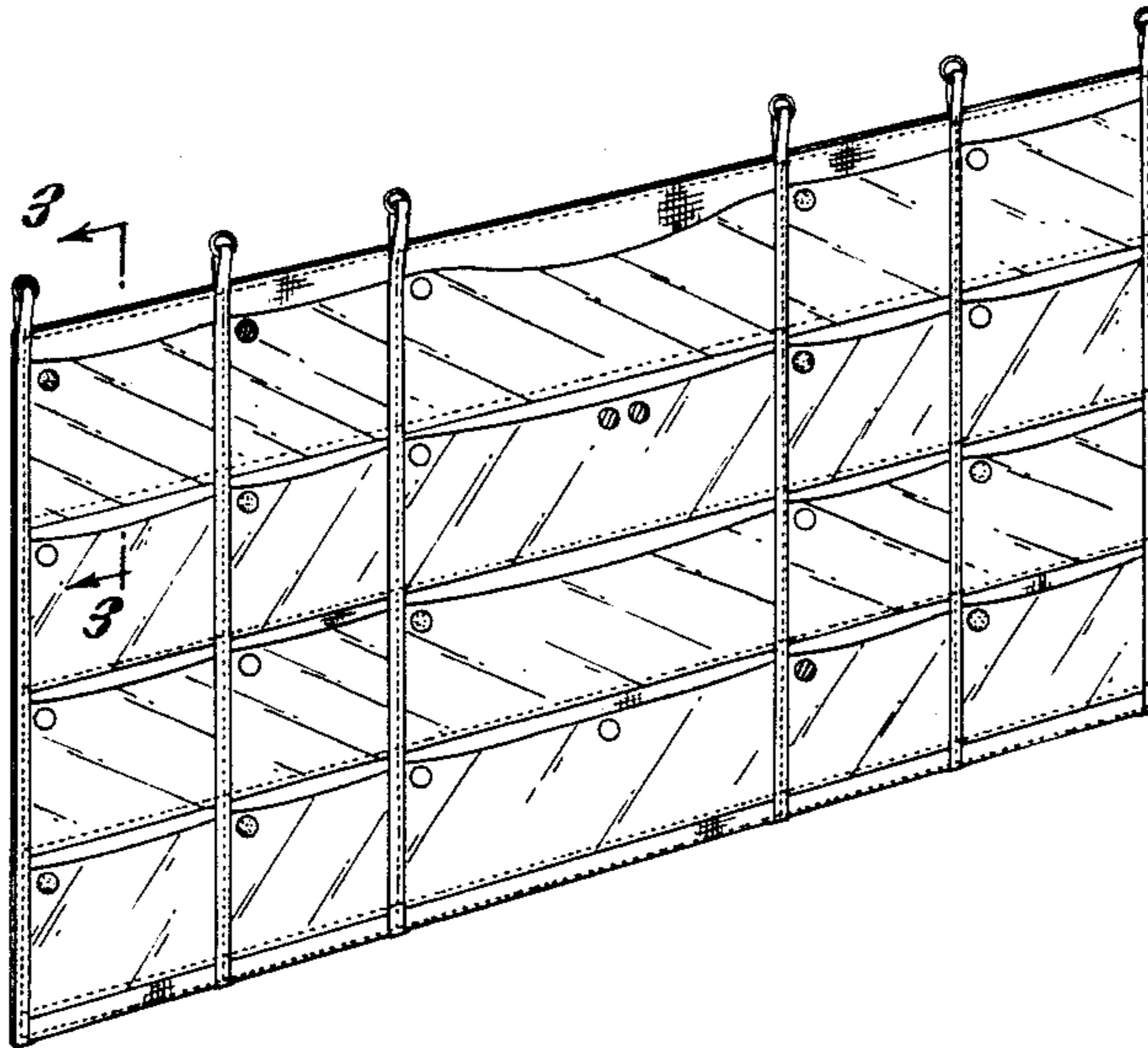
FIG. 3 is an enlarged fragmentary sectional view taken in the direction of the arrows on line 3—3 of FIG. 1.

The cross line shading which is partially shown in FIGS. 1 and 2 is understood to represent conventional fabric and to repeat uniformly across the front and back sides of the rear surface.

[56] References Cited

U.S. PATENT DOCUMENTS

- D. 154,993 8/1949 Crothers D6/553
D. 246,340 11/1977 Frank D6/552
D. 284,822 7/1986 Walsh D6/553
1,874,945 8/1932 Ferguson 150/52 R
2,932,405 4/1960 Peiffer 211/50



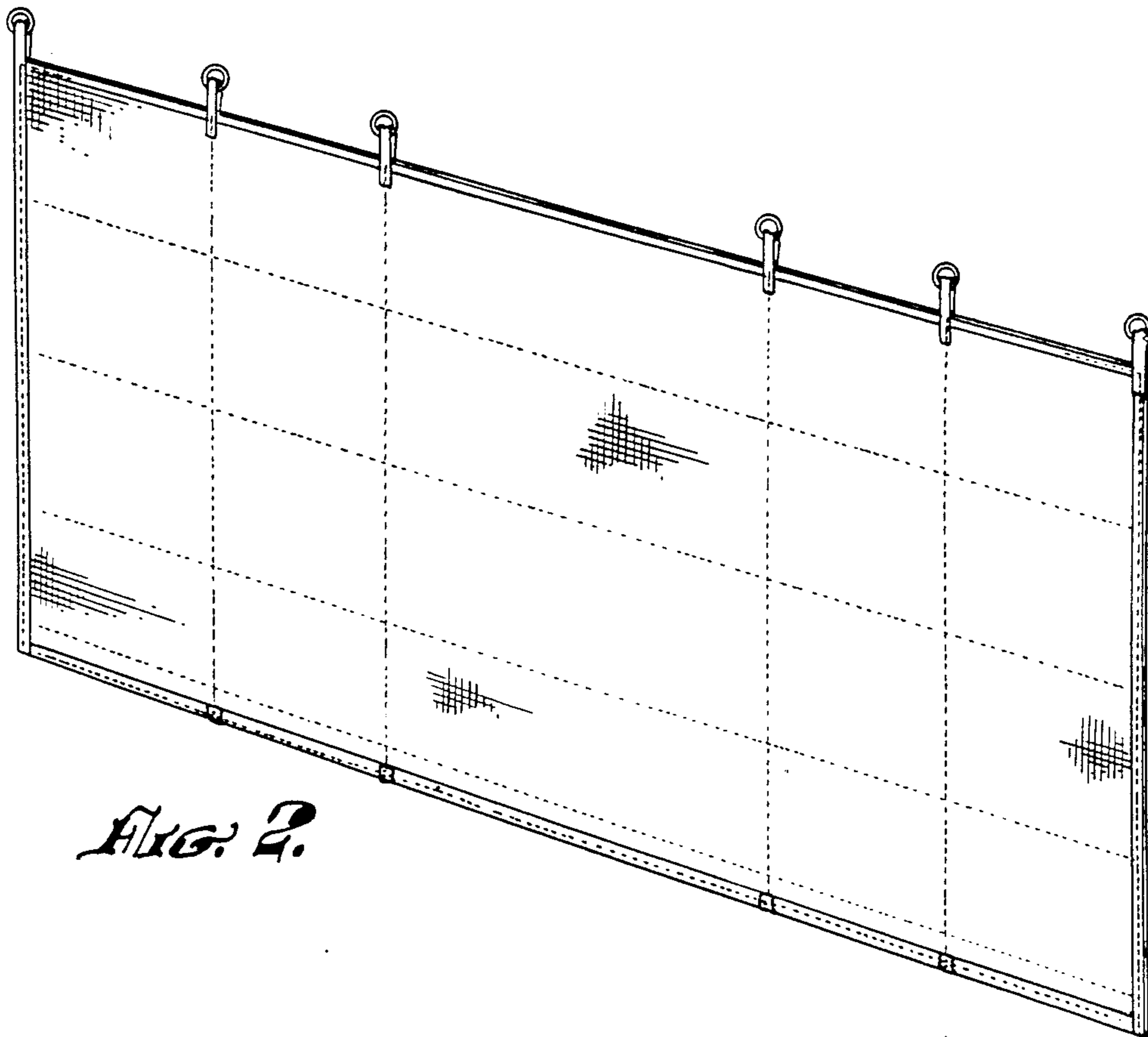
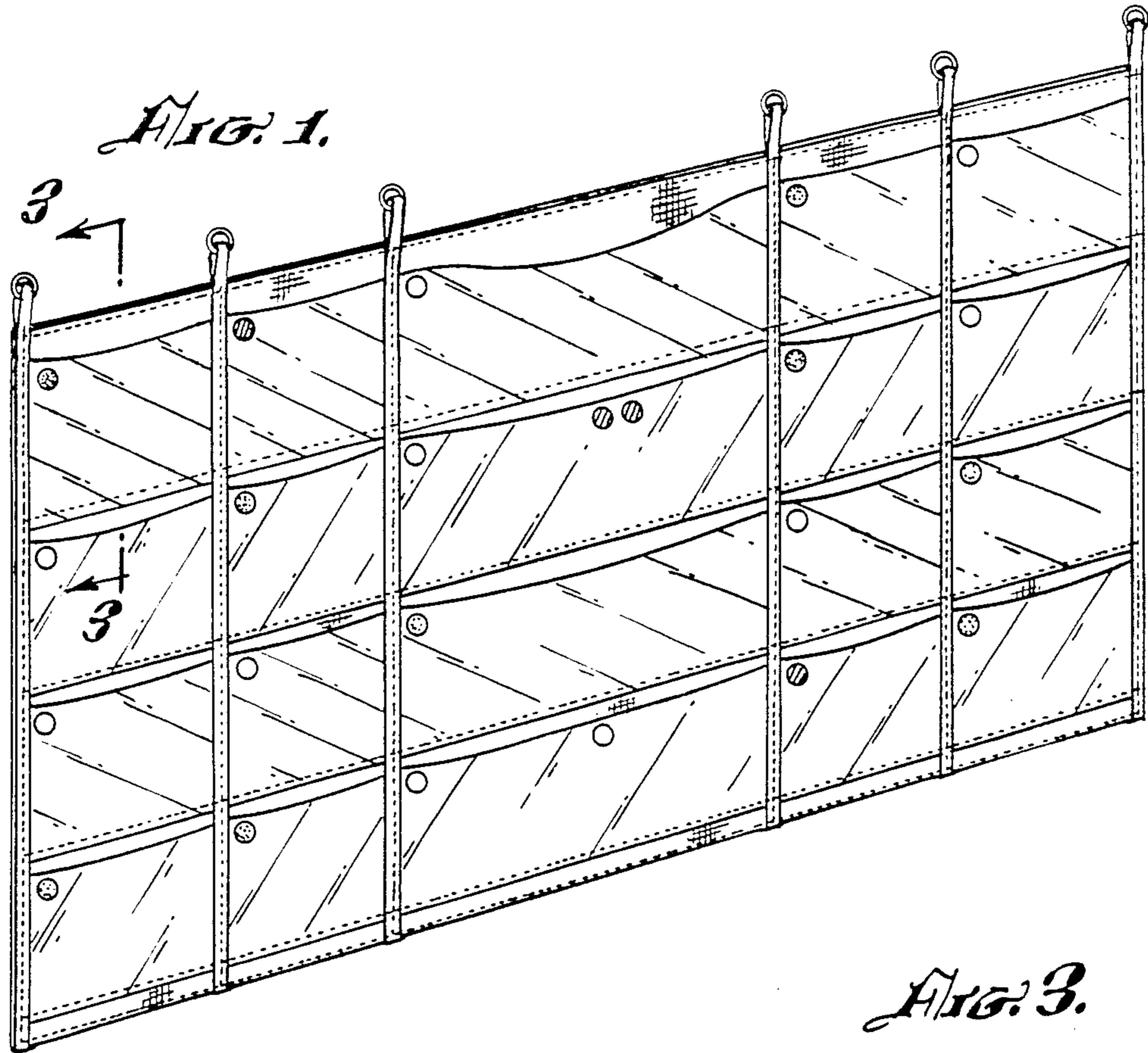


FIG. 3.

