

[54] TOWEL HOLDER

[75] Inventor: Daniel L. Pool, Paradise Valley, Ariz.

[73] Assignee: Designer Bathware, Inc., Phoenix, Ariz.

[\*\*] Term: 14 Years

[21] Appl. No.: 845,772

[22] Filed: Mar. 24, 1986

D. 248,999	8/1978	House	.....	D6/523
D. 253,380	11/1979	Pittenger	.....	D6/524
D. 253,381	11/1979	Tegner	.....	D6/523
D. 256,861	9/1980	Ryan et al.	.....	D6/540
D. 259,310	5/1981	Crowe	.....	D6/523
3,329,367	7/1967	Paradiso	.....	242/55.55
3,643,884	2/1972	Curtin	.....	242/55.2

Primary Examiner—B. J. Bullock  
Attorney, Agent, or Firm—Don J. Flickinger; Jordan M. Meschkow

Related U.S. Application Data

[62] Division of Ser. No. 514,002, Jul. 15, 1983, Pat. No. Des. 283,188.

[52] U.S. Cl. .... D6/522; D6/549

[58] Field of Search ..... D6/300, 308, 310, 314, D6/419, 425, 429-431, 446, 448, 450-451, 470, 508-512, 524, 522, 528, 531, 535, 546, 549, 552.3, 555, 559-563, 566, 574; D25/74; D8/373; 108/25, 26.2, 29, 30, 42, 59, 137, 138, 144, 151, 152

[56] References Cited

U.S. PATENT DOCUMENTS

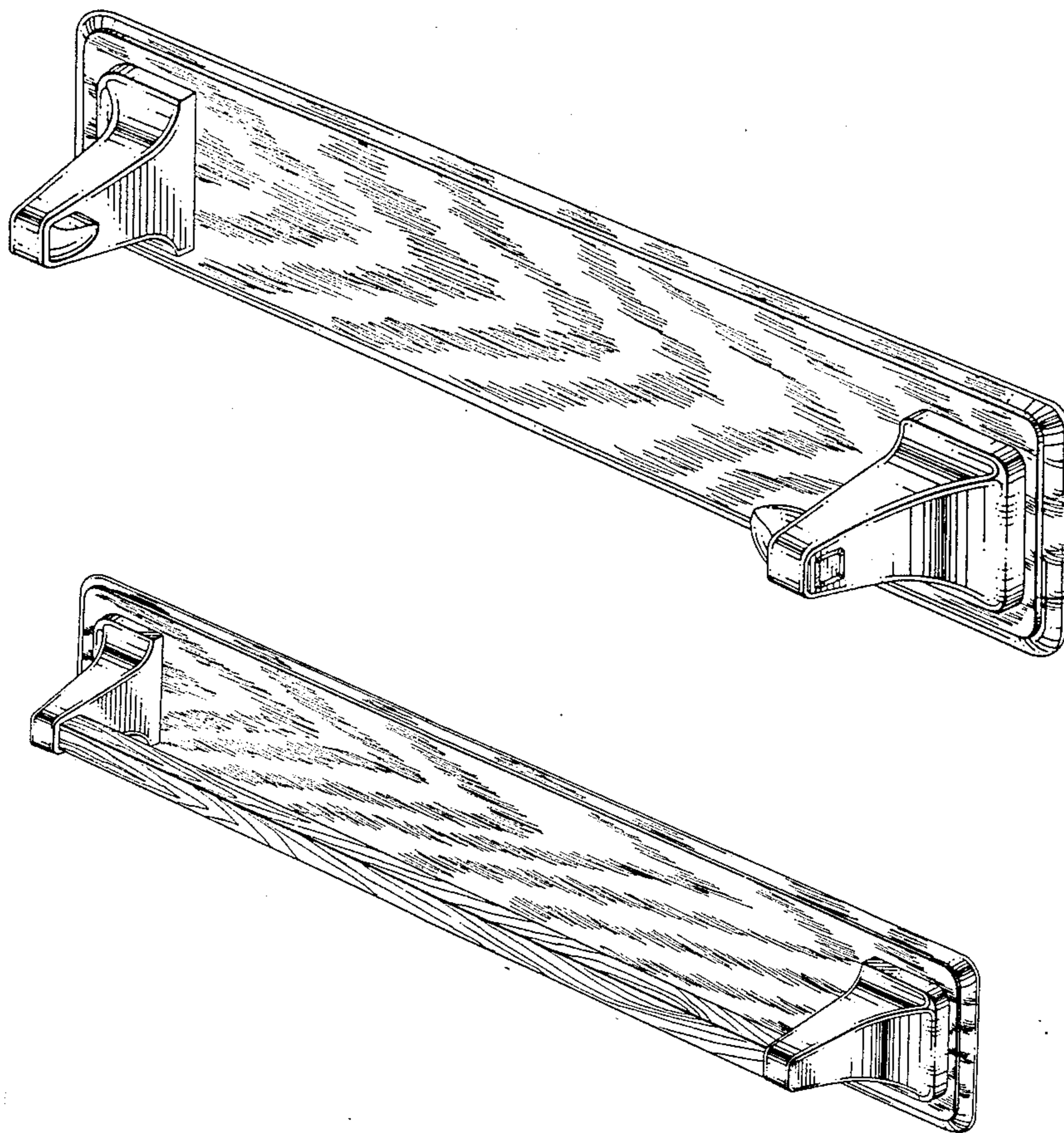
D. 202,043	8/1965	Cox	.....	D8/353
D. 214,615	7/1969	Patriquin	.....	D8/353
D. 227,970	7/1973	Davidoff	.....	D6/300
D. 228,849	10/1979	Firdmann	.....	D6/523
D. 242,522	11/1976	Emmerling	.....	D8/353

[57] CLAIM

The ornamental design for a towel holder, as shown and described.

DESCRIPTION

FIG. 1 is a perspective view of a towel holder showing my new design, as embodied in a paper towel holder; FIG. 2 is an enlarged left side elevational view thereof; FIG. 3 is a reduced rear elevational view thereof; FIG. 4 is an enlarged fragmentary bottom plan view of the left end of FIG. 1, the right end being a mirror image thereof; FIG. 5 is a perspective view of a second embodiment of the design of FIG. 1, as embodied in a towel bar; FIG. 6 is an enlarged left side elevational view of FIG. 5; FIG. 7 is a reduced rear elevational view of FIG. 5; FIG. 8 is an enlarged fragmentary bottom plan view of the left end of FIG. 1, the right end being a mirror image thereof.



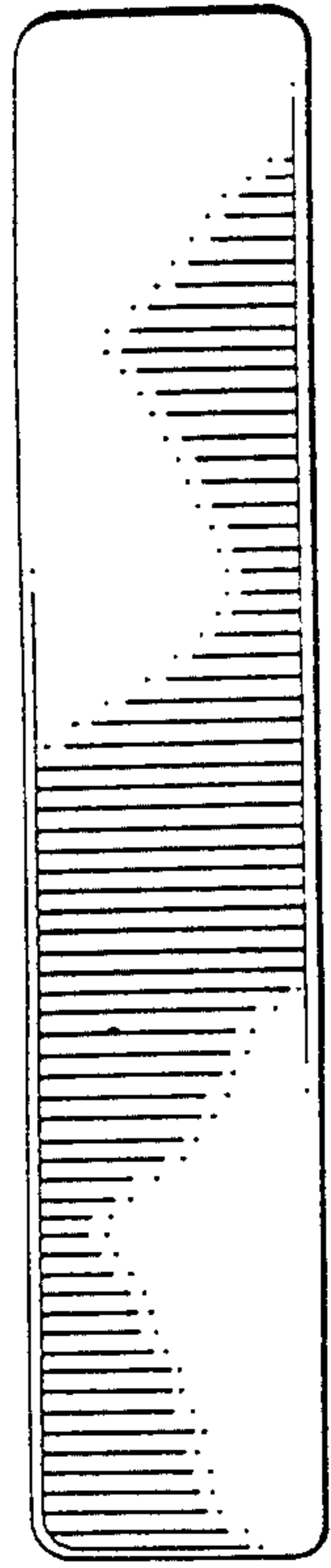


FIG. 3

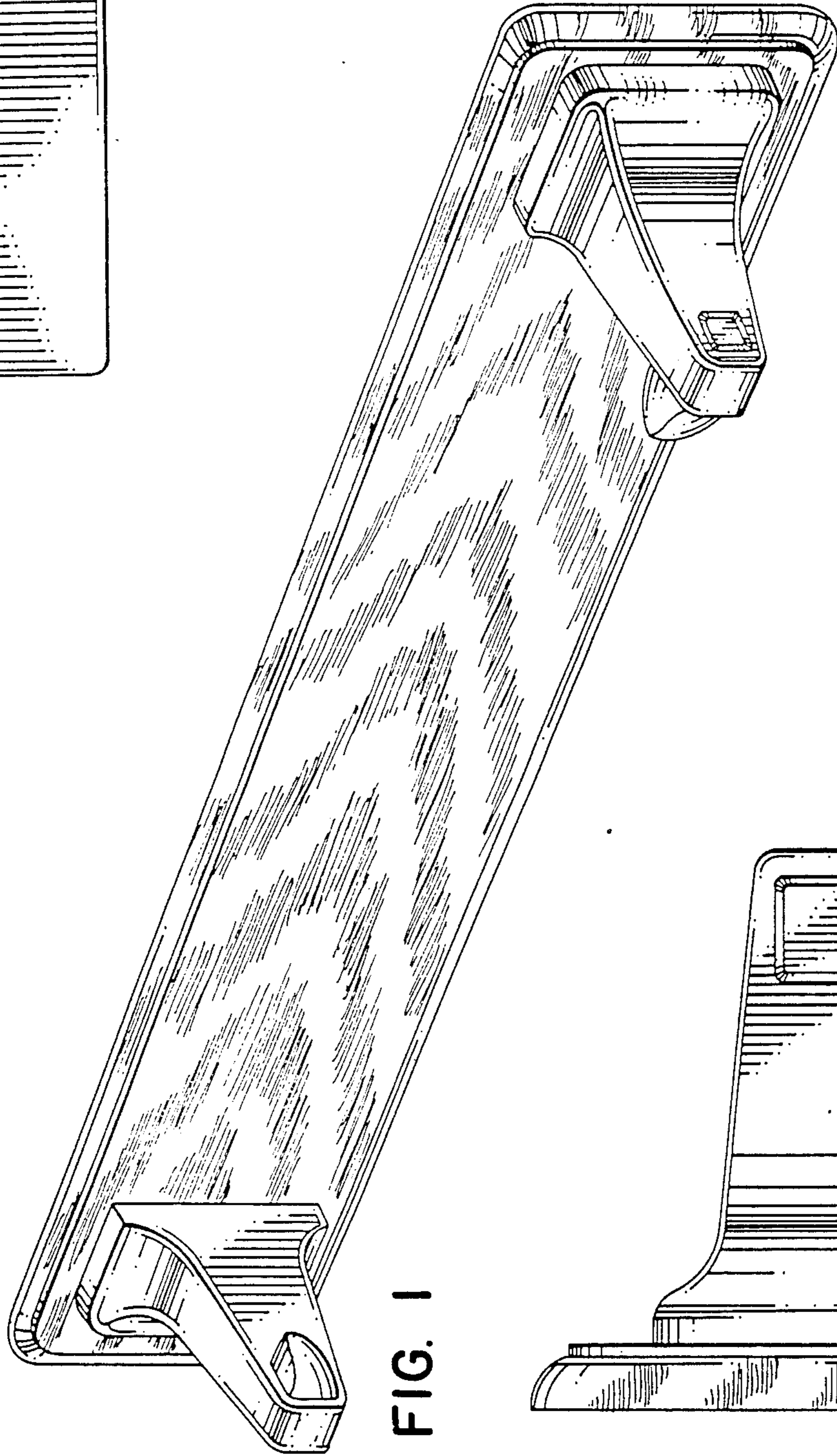


FIG. 1

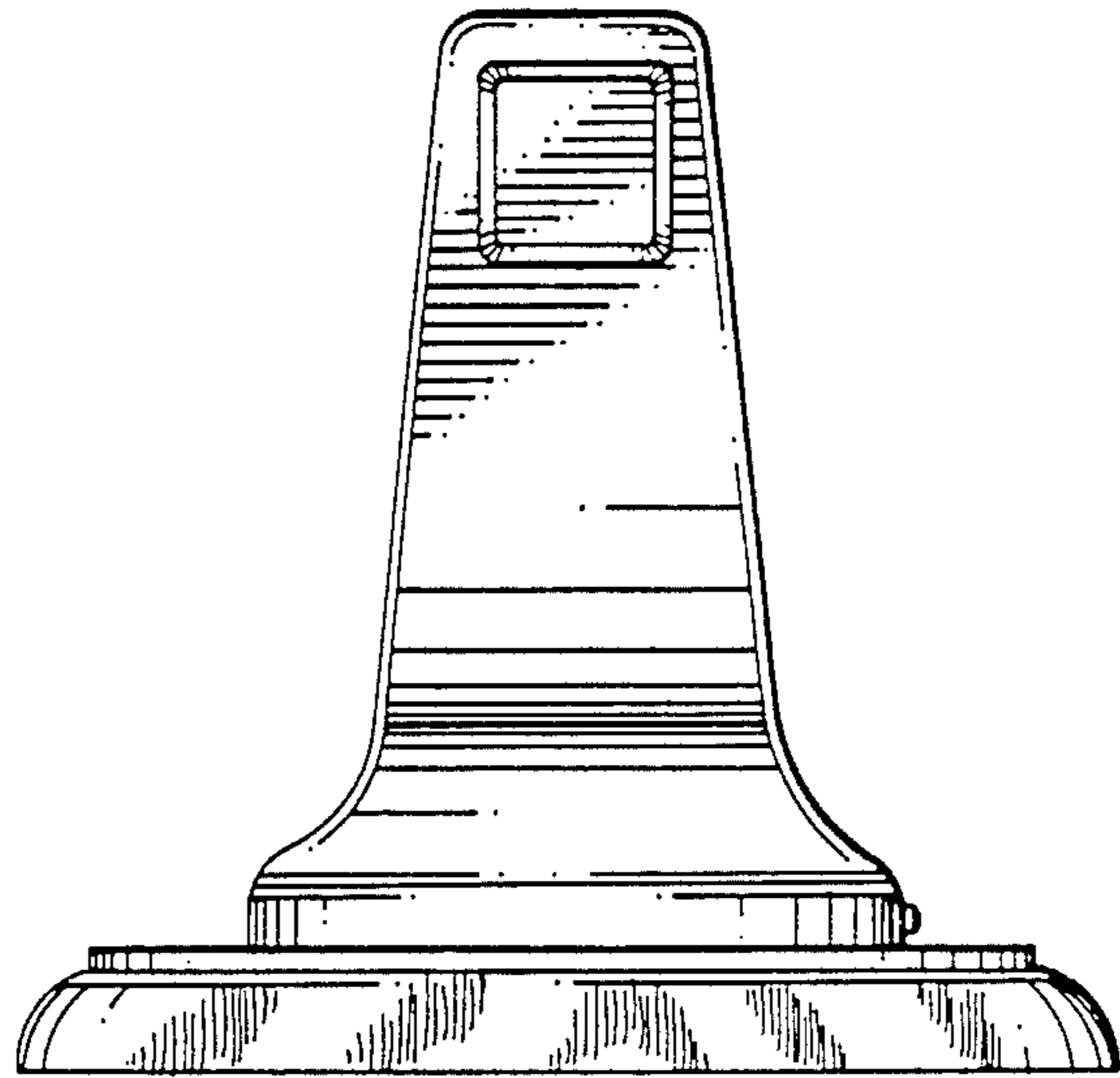


FIG. 2

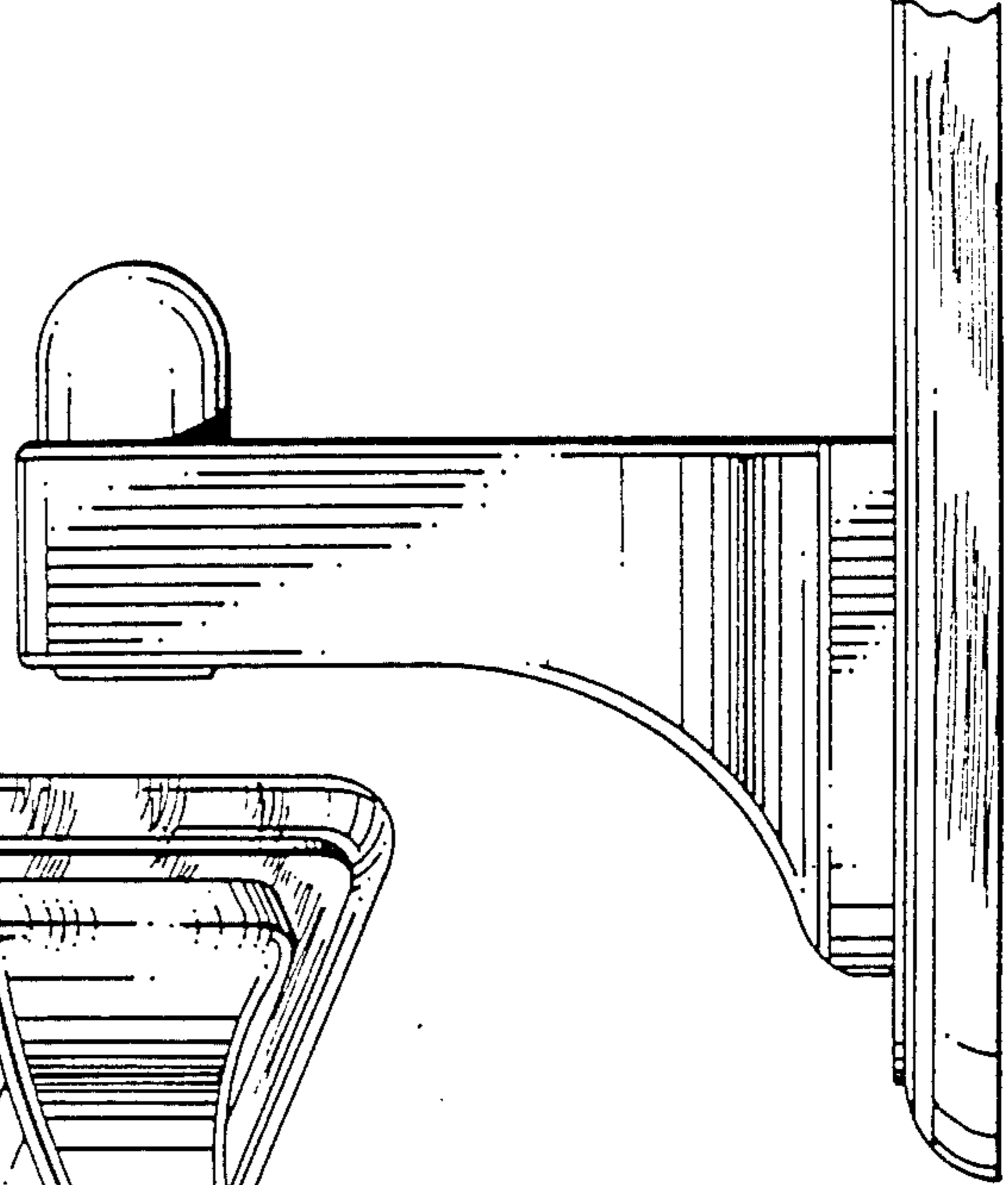


FIG. 4

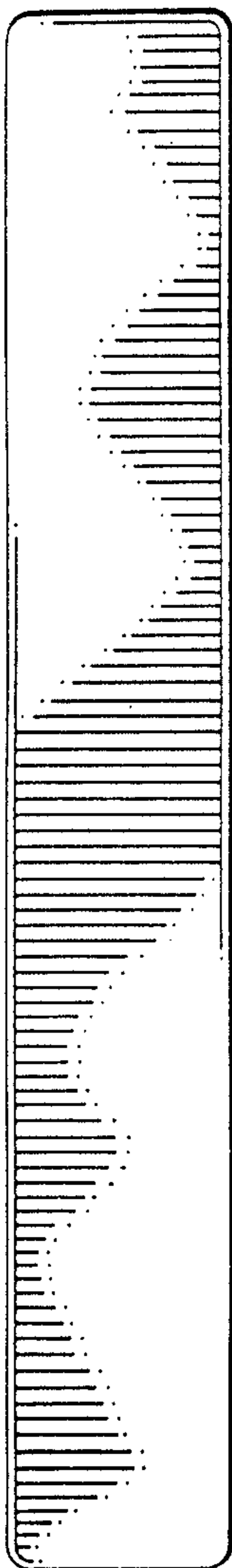


FIG. 7

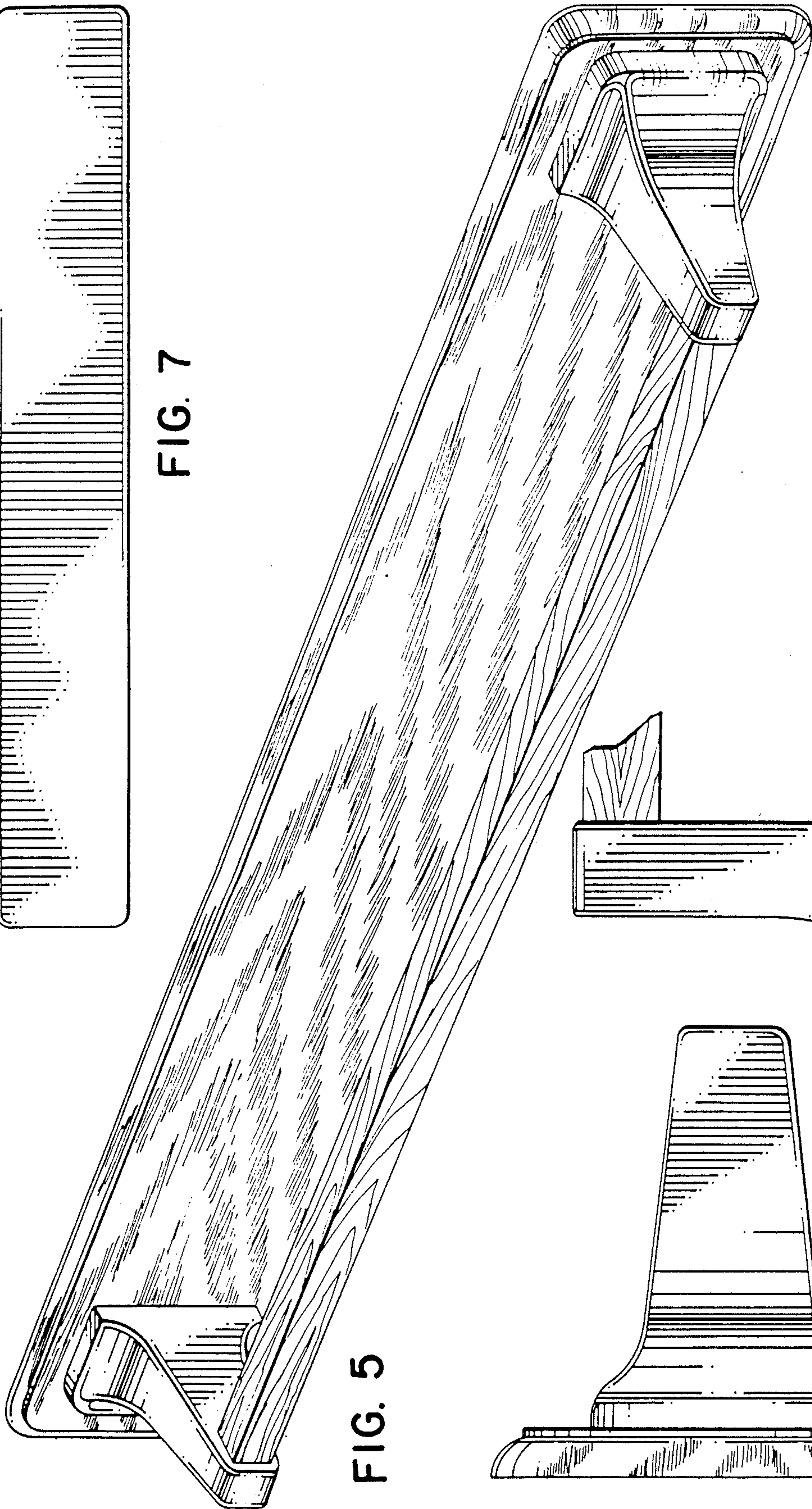


FIG. 5

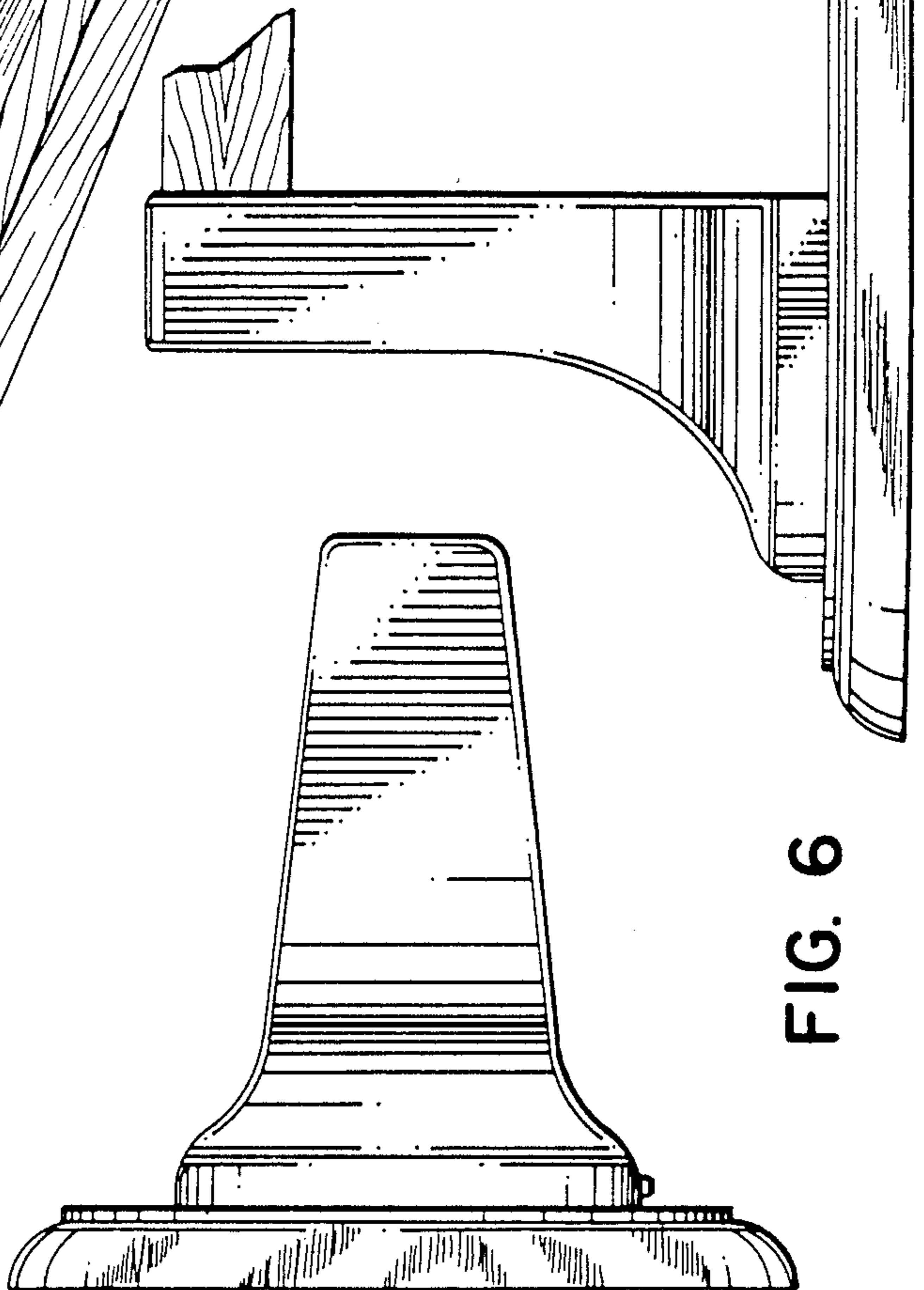


FIG. 6



FIG. 8