

[54] TABLE

[75] Inventor: Maurizio Salvato, Gallarate, Italy

[73] Assignee: Saporiti Italia S.p.A., Italy

[\*\*] Term: 14 Years

[21] Appl. No.: 712,363

[22] Filed: Mar. 15, 1985

[30] Foreign Application Priority Data

Sep. 18, 1984 [IT] Italy ..... 23174/84[U]

[52] U.S. Cl. .... D6/482; D6/478

[58] Field of Search ..... D6/449, 477, 478, 479, D6/482, 484, 486

[56] References Cited

U.S. PATENT DOCUMENTS

- D. 165,584 1/1952 Johnson ..... D6/482
- D. 166,377 4/1952 Curtis ..... D6/482 X
- D. 175,651 9/1955 Schwartz ..... D6/482 X
- D. 193,192 7/1962 Blevins ..... D6/511

- D. 203,449 1/1966 Klein et al. .... D6/482
- D. 218,943 10/1970 Culliss ..... D6/482
- D. 243,303 2/1977 Jackson ..... D6/482 X
- D. 245,465 8/1977 Hindle ..... D6/482 X
- D. 282,775 2/1986 Floyd, Sr. .... D6/482 X

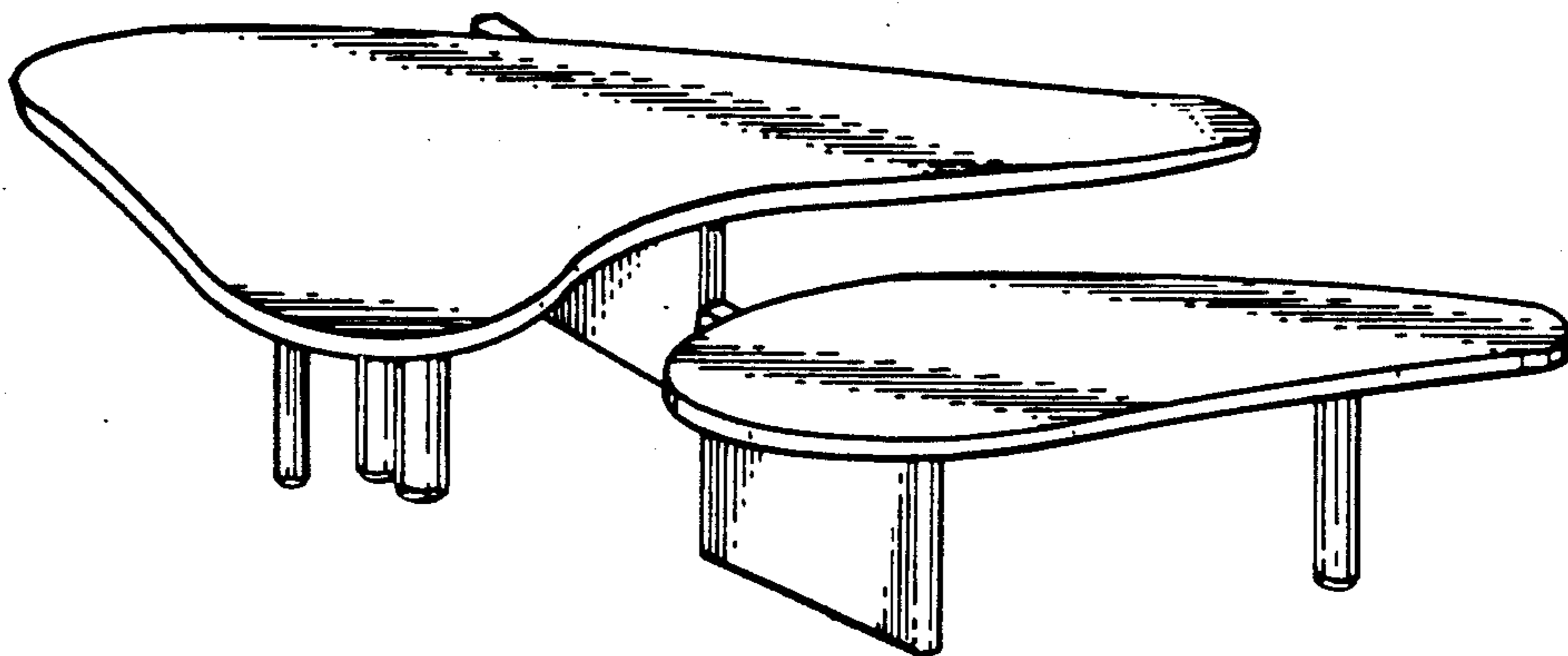
Primary Examiner—Bruce W. Dunkins  
Attorney, Agent, or Firm—Steele, Gould & Fried

[57] CLAIM

The ornamental design for a table, as shown and described.

DESCRIPTION

FIG. 1 is a perspective view of a table according to my new design;  
 FIG. 2 is a second perspective view thereof;  
 FIG. 3 is a top plan view;  
 FIG. 4 is a bottom plan view;  
 FIG. 5 is a side elevation from the right with respect to FIG. 2; and,  
 FIG. 6 is a side elevation from the left with respect to FIG. 2.



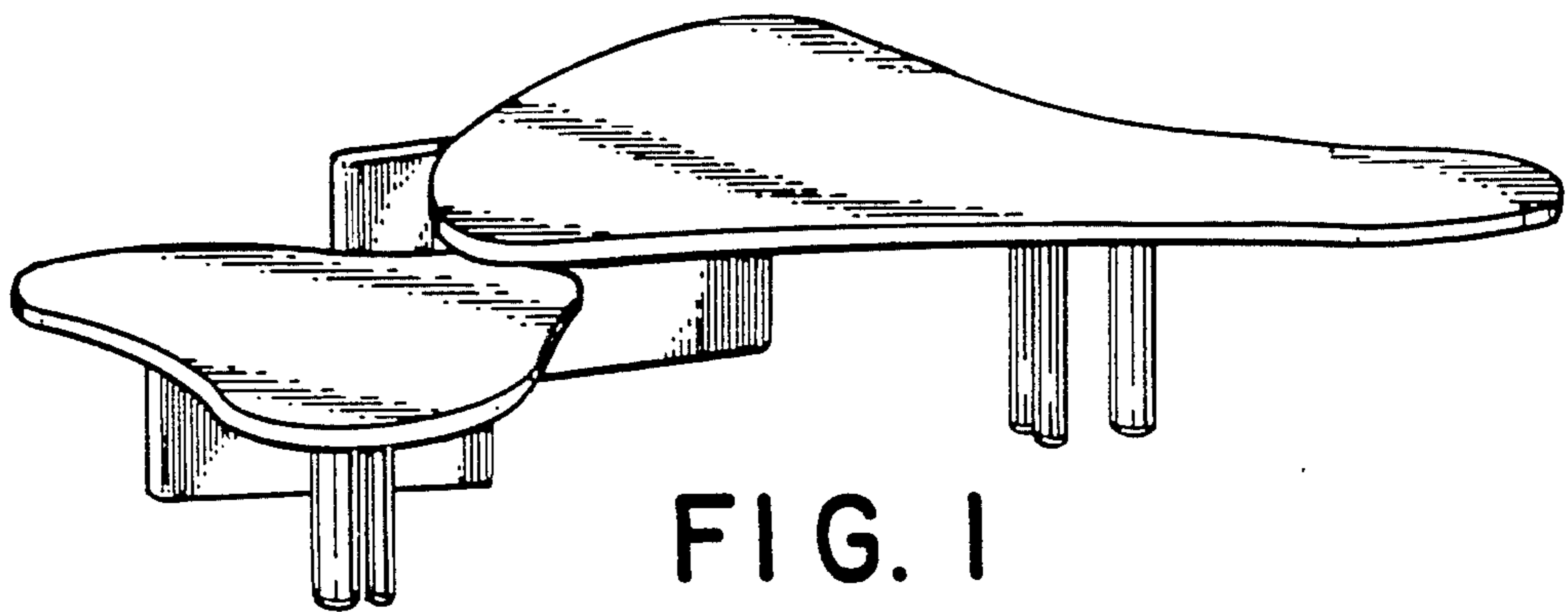


FIG. 1

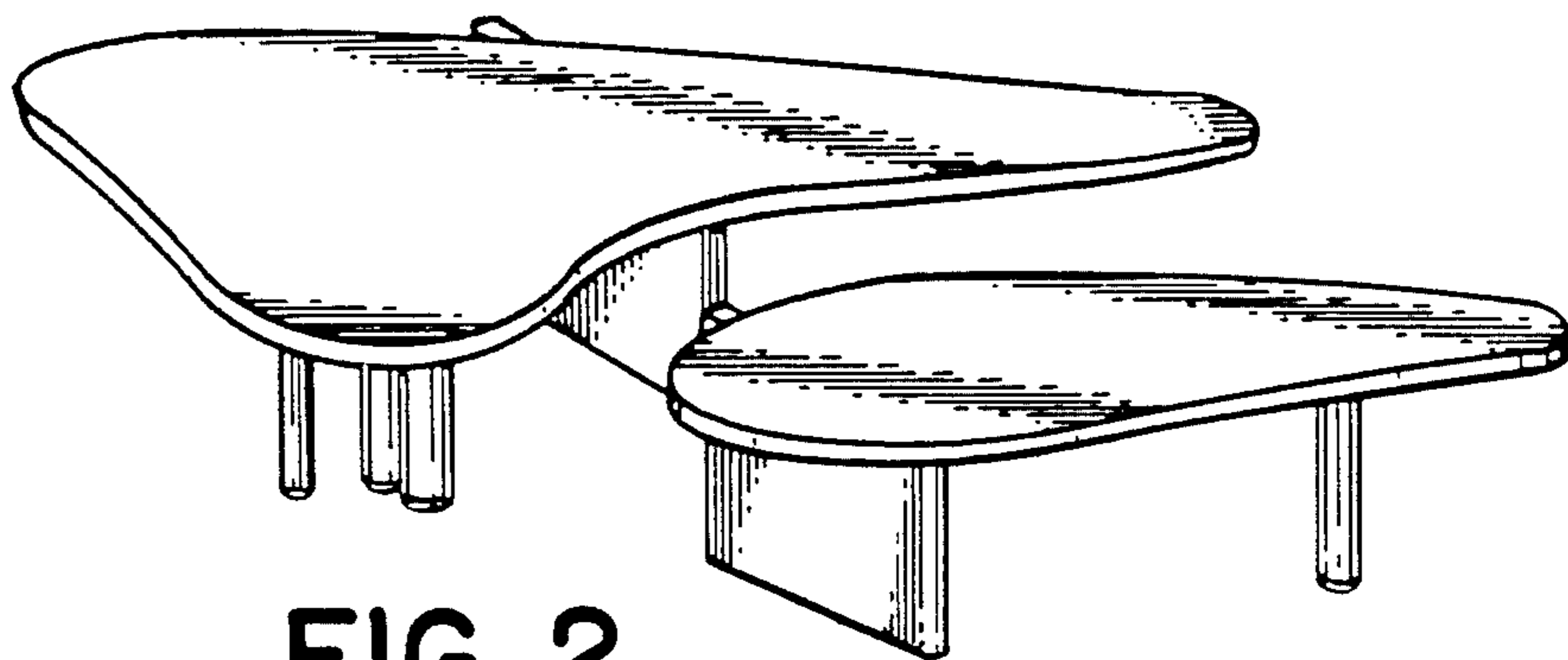


FIG. 2

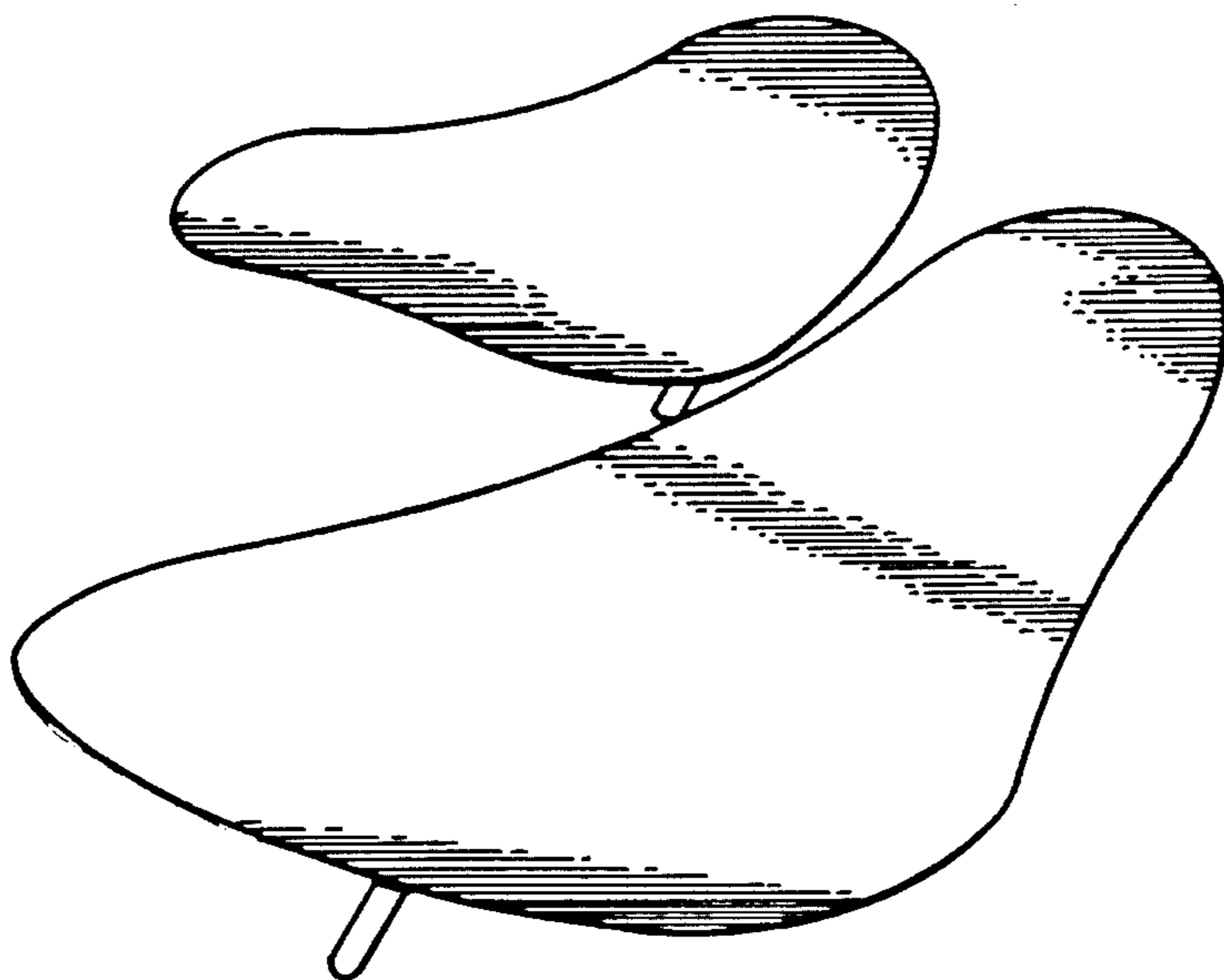


FIG. 3

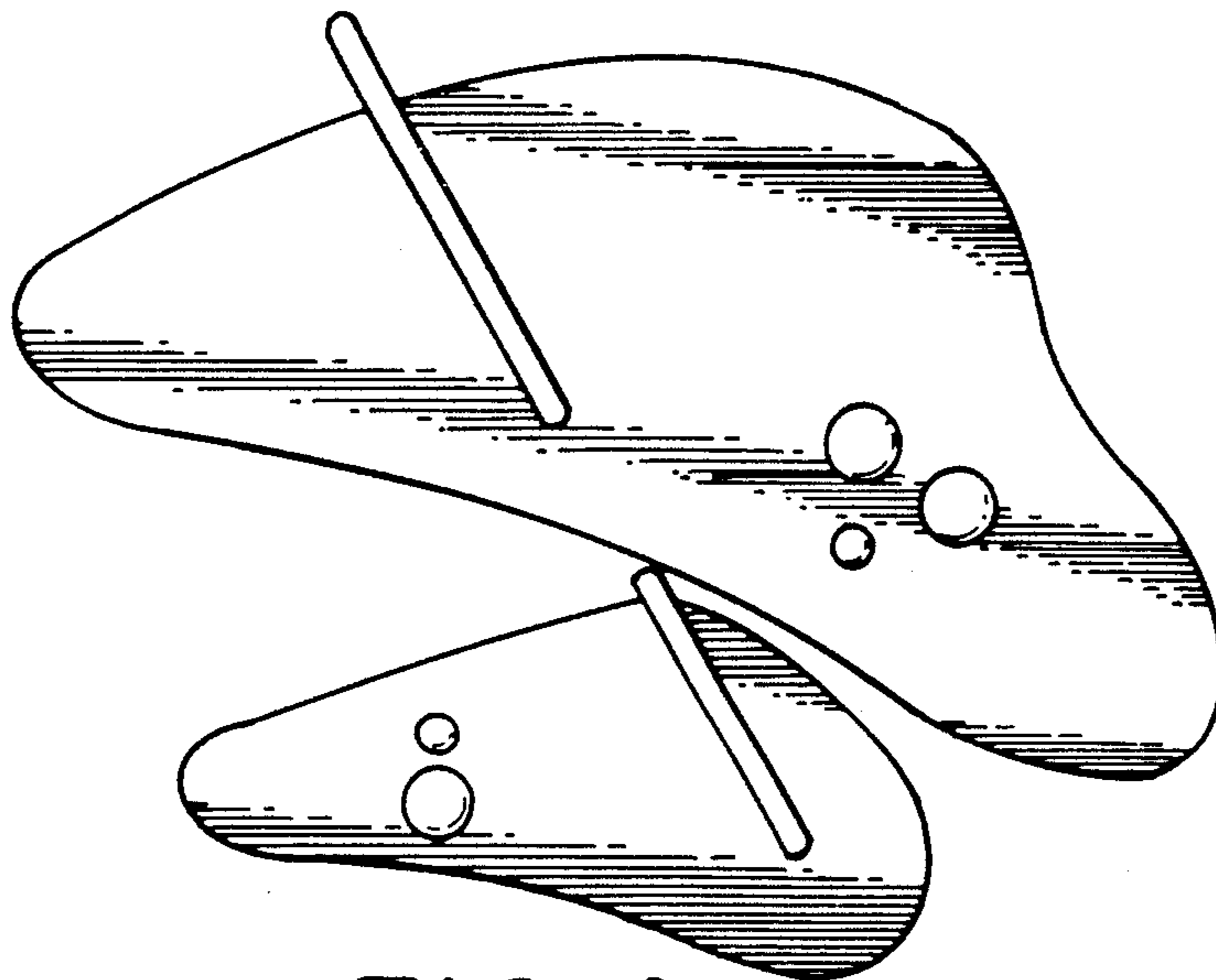


FIG. 4

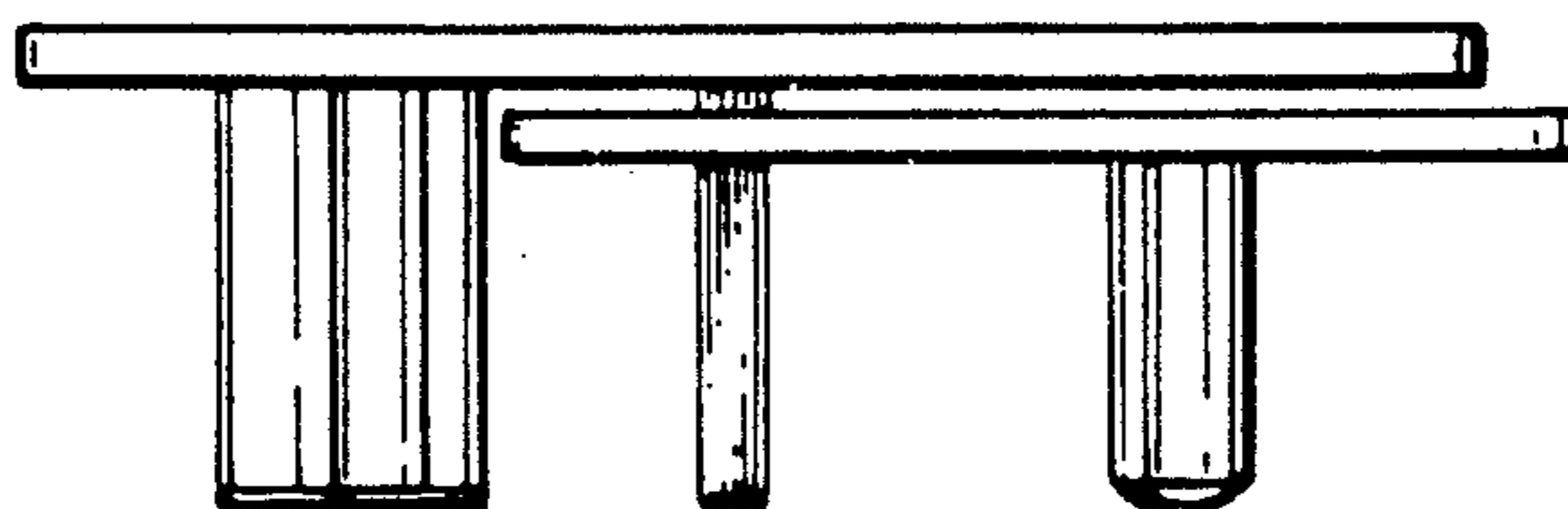


FIG. 5

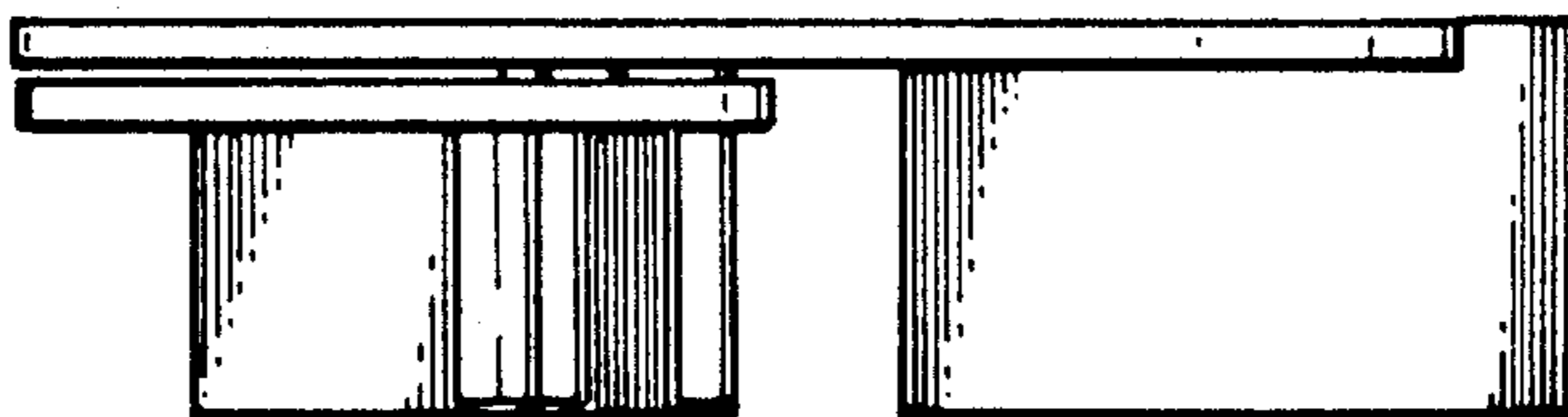


FIG. 6