

[54] STORAGE AND CARRYING CONTAINER FOR AN ELECTRIC DRILL AND ACCESSORIES

D. 250,974 1/1979 Donley et al. D3/30.1

[76] Inventor: John M. Bunge, 5 Melton Court, London, SW7, England

FOREIGN PATENT DOCUMENTS

985141 6/1978 United Kingdom .
1017448 5/1984 United Kingdom .

[**] Term: 14 Years

Primary Examiner—George P. Word
Attorney, Agent, or Firm—Fulwider, Patton, Rieber, Lee & Utecht

[21] Appl. No.: 689,398

[22] Filed: Jan. 7, 1985

[52] U.S. Cl. D3/30.1; D3/73; D3/74

[58] Field of Search D3/30.1, 73, 74; 224/904, 224; 248/314, 78; D8/358

[57] CLAIM

The ornamental design for a storage and carrying container for an electric drill and accessories, substantially as shown and described.

[56] References Cited

DESCRIPTION

U.S. PATENT DOCUMENTS

D. 216,171 11/1969 Murr D3/73
D. 229,123 11/1973 Fry D3/73
D. 245,880 9/1977 Malcolm D3/73

FIG. 1 is a perspective view of a storage and carrying container for an electric drill and accessories showing my new design;

FIG. 2 is a bottom plan view thereof;

FIG. 3 is a rear elevational view thereof; and

FIG. 4 is a right side elevational view thereof.

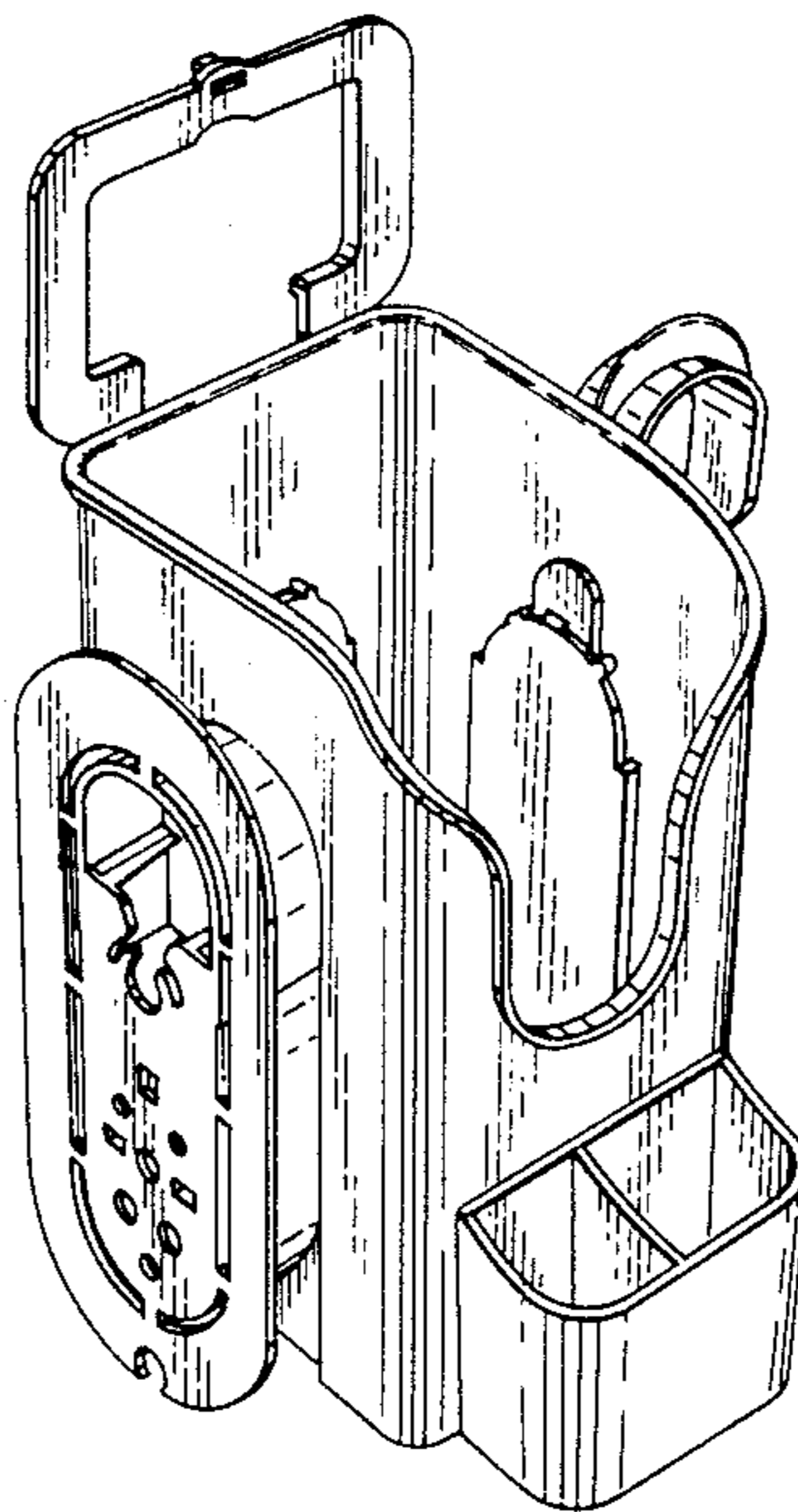


Fig. 1.

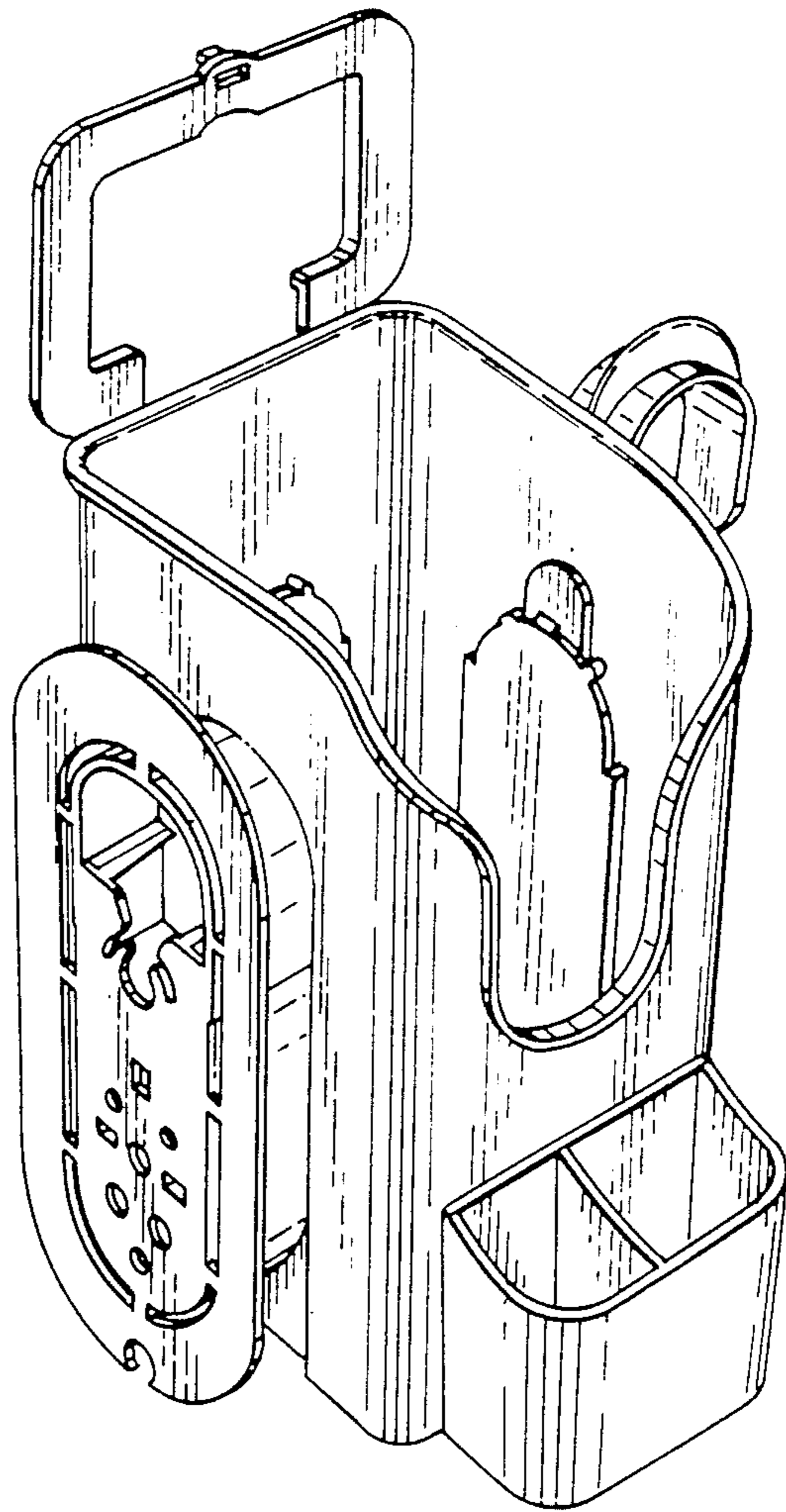
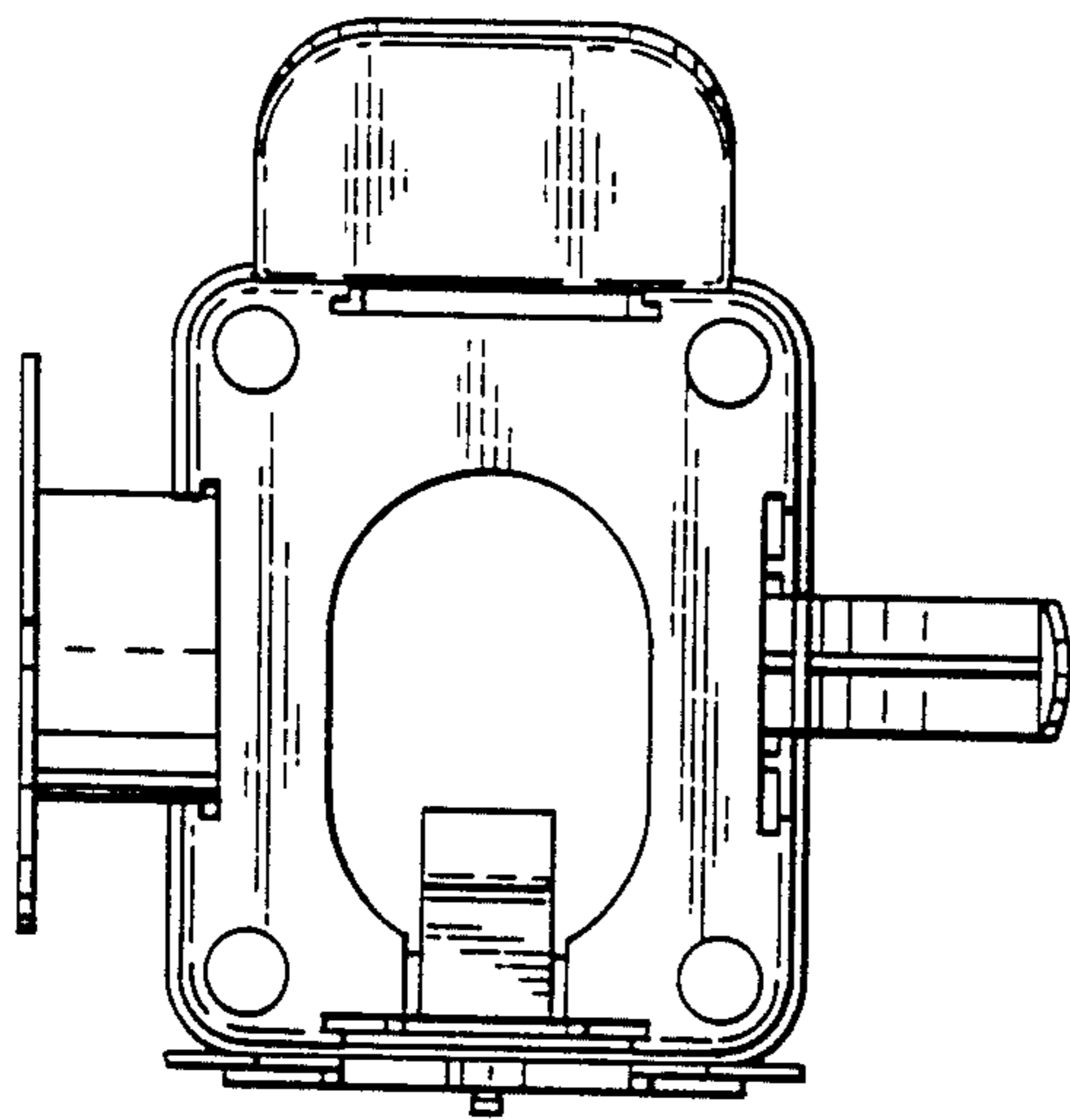


Fig. 2.



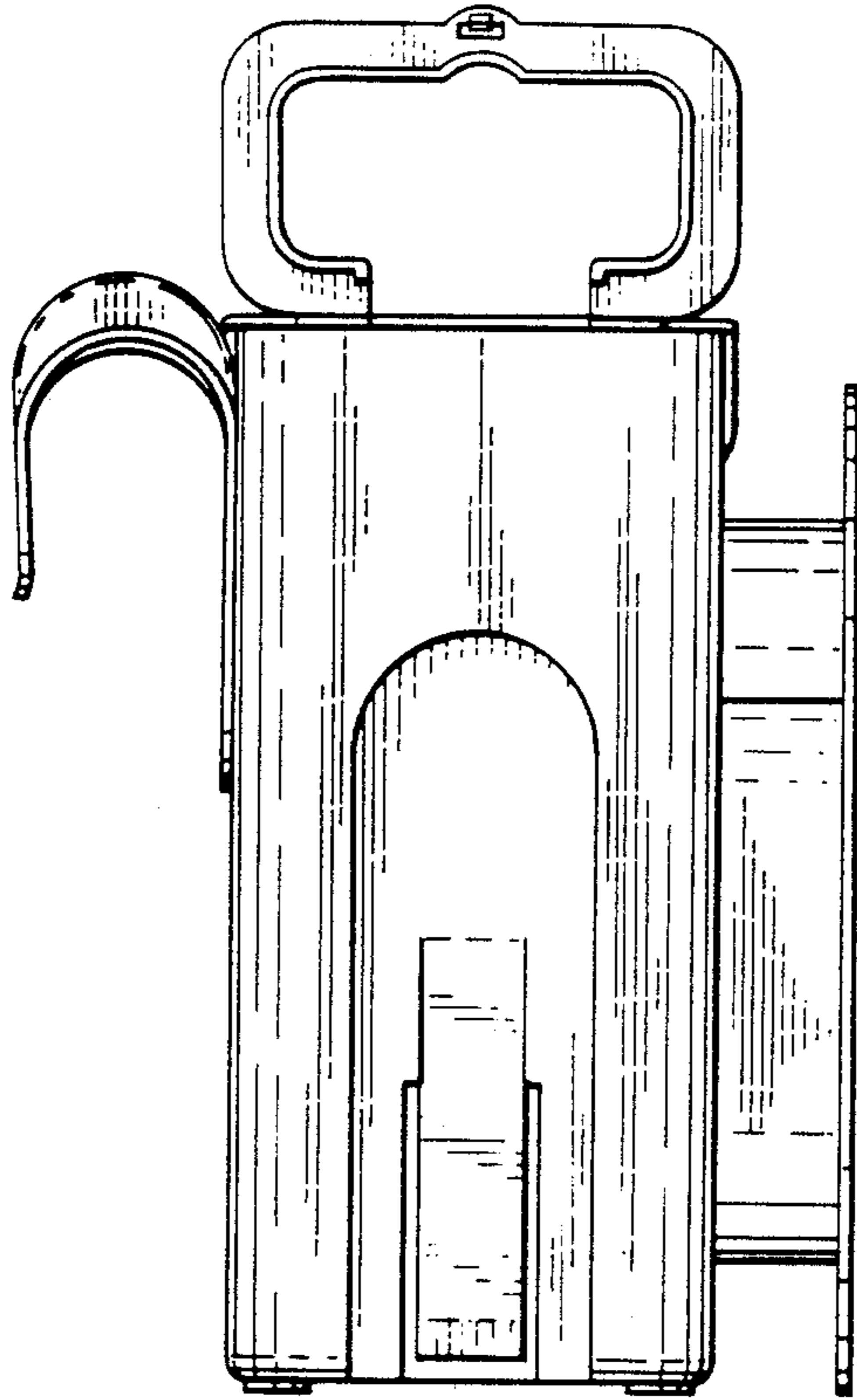


Fig. 3.

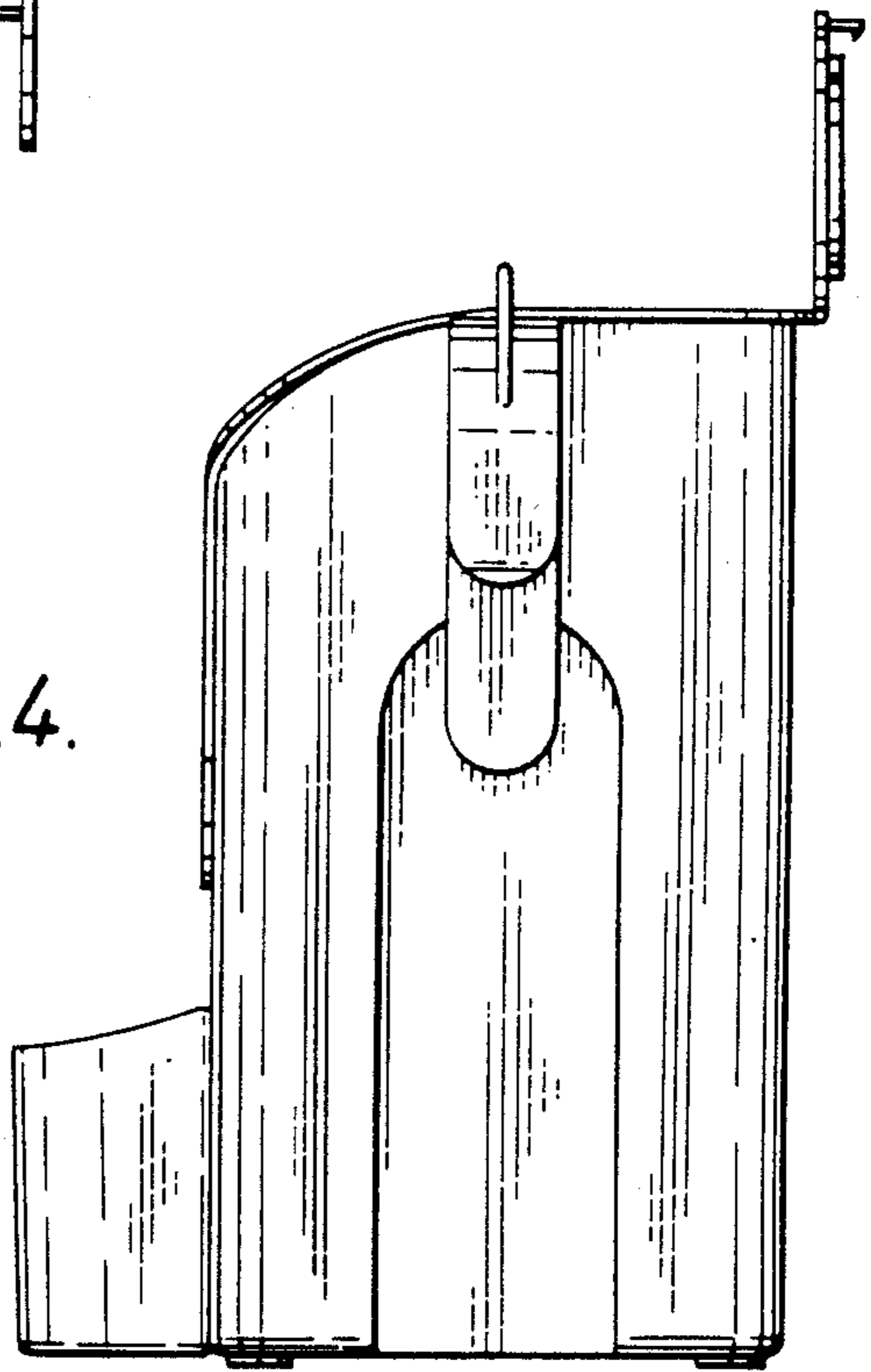


Fig. 4.