

[54] COMPUTER MAINTENANCE TOOL CARRYING CASE

[75] Inventor: Robert M. Cohen, Rockville, Md.

[73] Assignee: Micro Connection, Inc., Marlow, N.H.

[**] Term: 14 Years

[21] Appl. No.: 663,449

[22] Filed: Oct. 22, 1984

[52] U.S. Cl. D3/74; D3/35; D3/66

[58] Field of Search D3/66, 74, 75, 35; 206/373, 374, 375, 571

[56] References Cited

U.S. PATENT DOCUMENTS

- D. 233,374 10/1974 Heeren D3/35
- D. 236,556 8/1975 DiPaola et al. D3/74
- D. 265,525 7/1982 Basili et al. D3/35
- D. 268,714 4/1983 Goedel D3/66 X

- D. 281,056 10/1985 de Latour D3/35 X
- D. 284,621 7/1986 Swinney D3/35
- 2,487,174 11/1949 Petre 206/375
- 3,269,529 8/1966 Hume 206/373
- 4,518,275 5/1985 Rauch et al. D3/35 X

Primary Examiner—Carmen H. Vales
Attorney, Agent, or Firm—Lee A. Strimbeck

[57] CLAIM

The ornamental design for a computer maintenance tool carrying case, substantially as shown and described.

DESCRIPTION

FIG. 1 is a perspective view of a computer maintenance tool carrying case showing my new design;
 FIG. 2 is a perspective view in closed position;
 FIG. 3 is a top plan view of FIG. 1;
 FIG. 4 is a front elevational view thereof;
 FIG. 5 is a rear elevational view thereof;
 FIG. 6 is a right side elevational view thereof;
 FIG. 7 is a left side elevational view thereof; and
 FIG. 8 is a bottom plan view thereof.

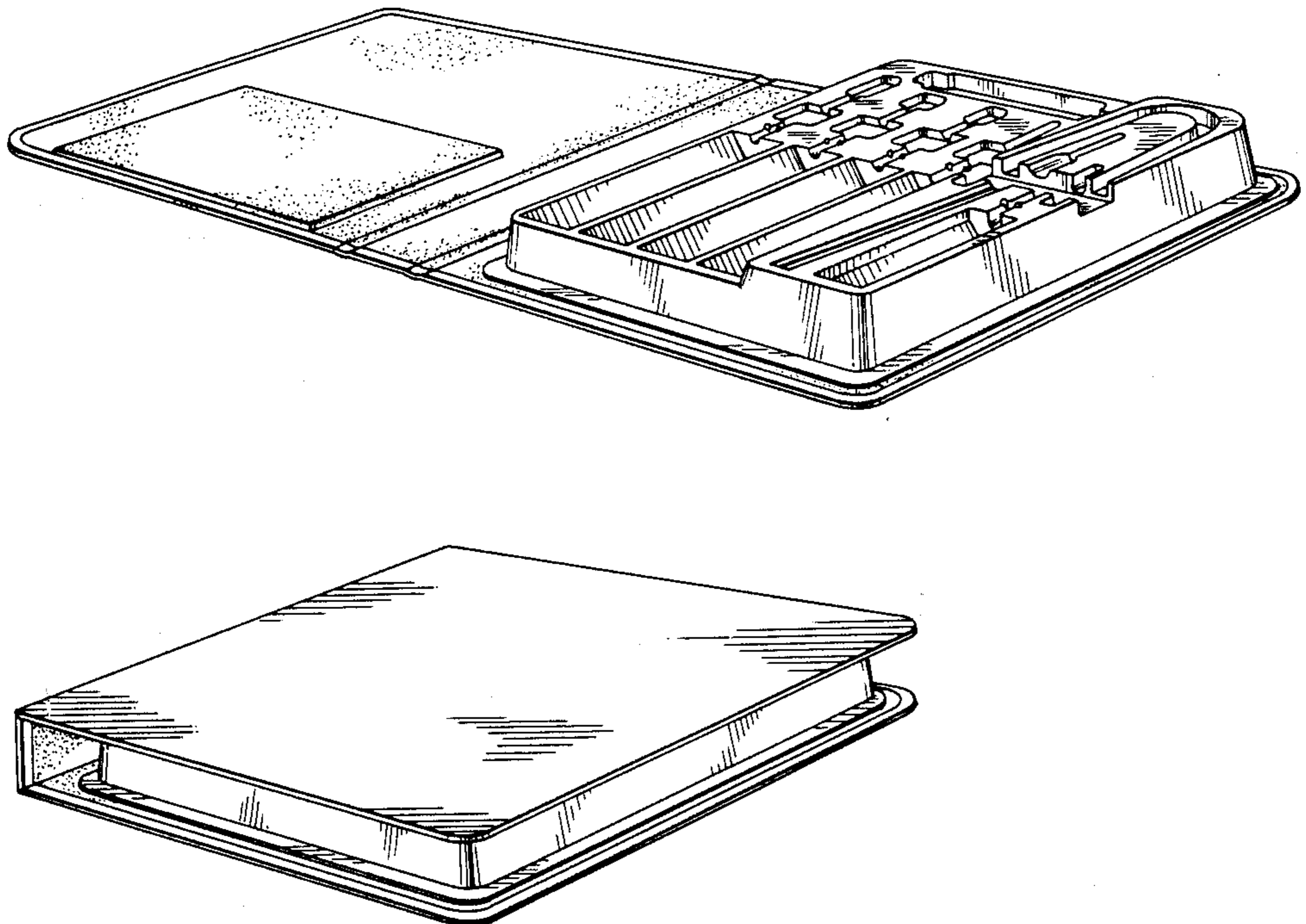


Fig. 1.

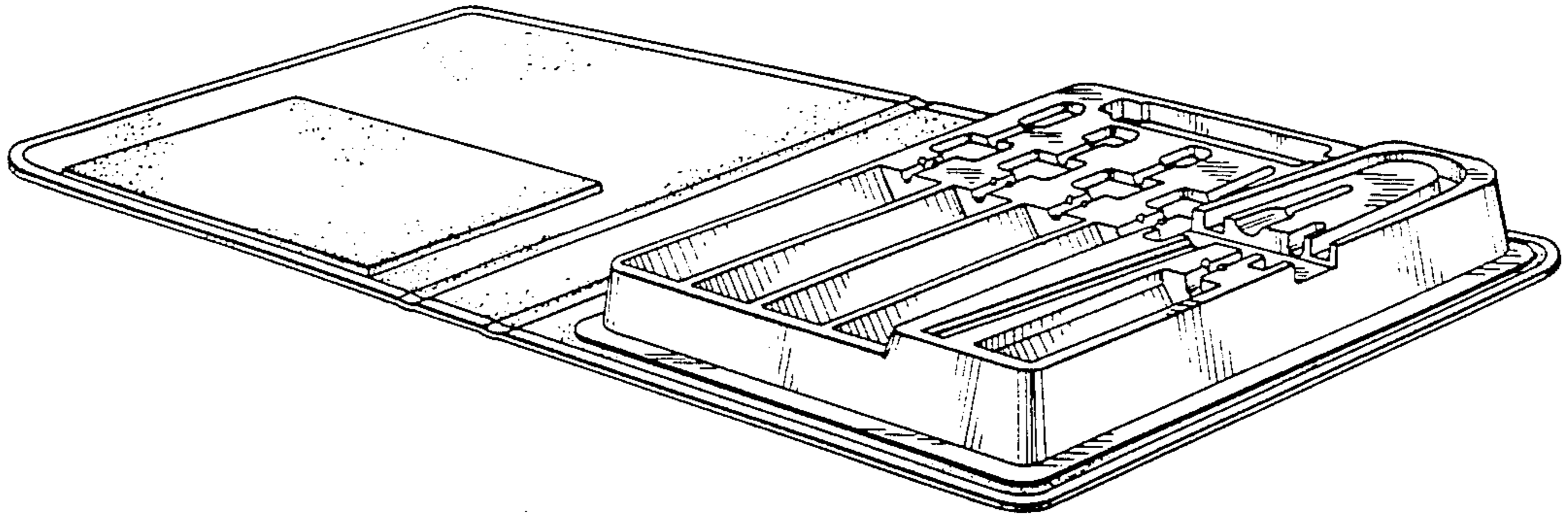


Fig. 2.

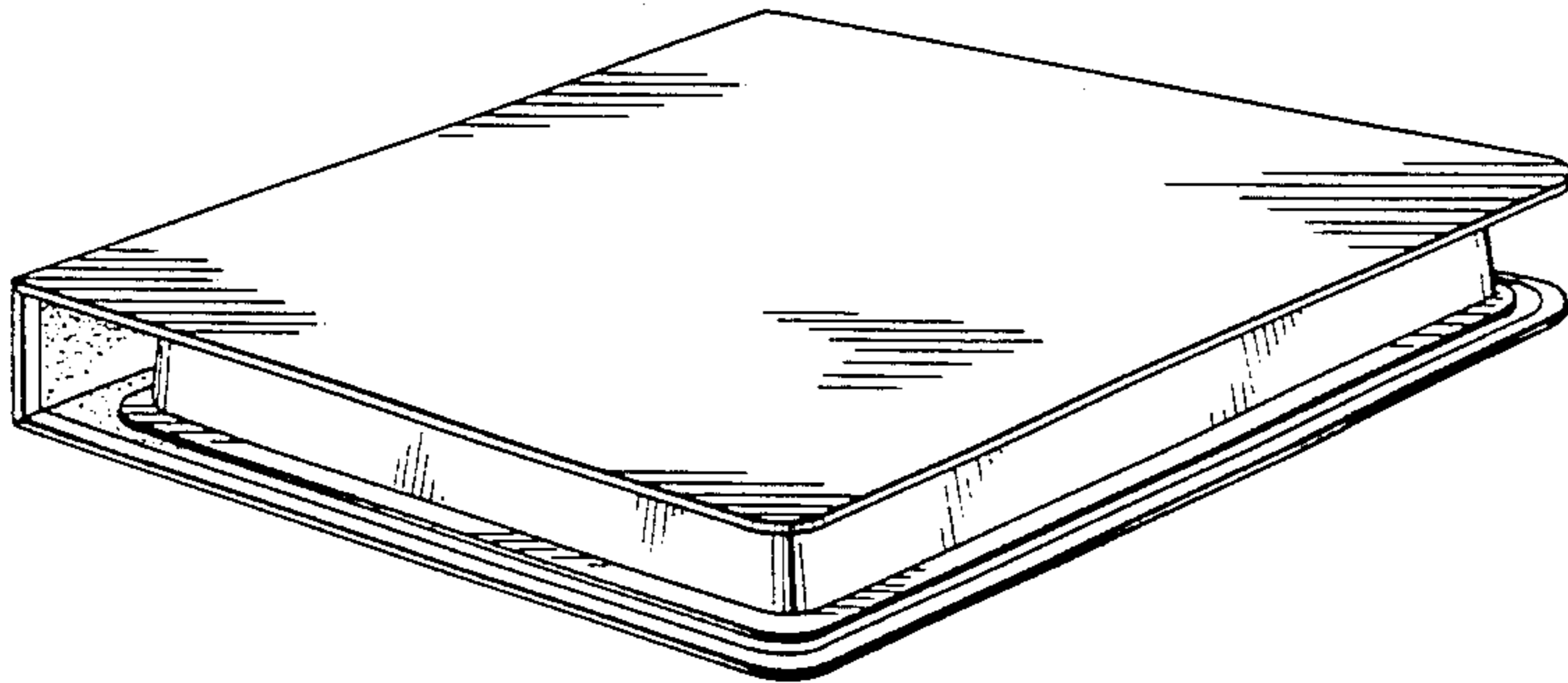


Fig. 3.

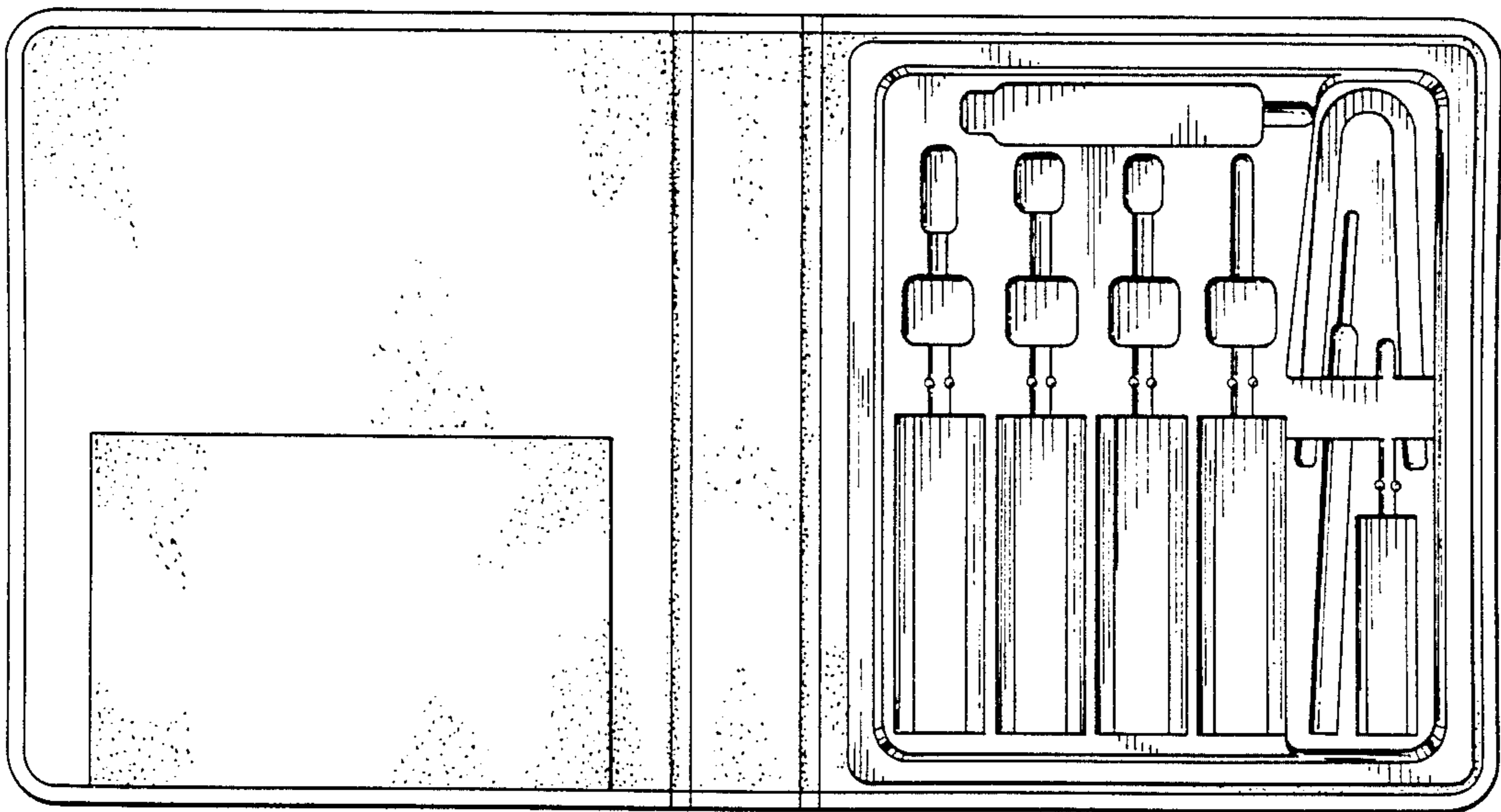


Fig. 4.

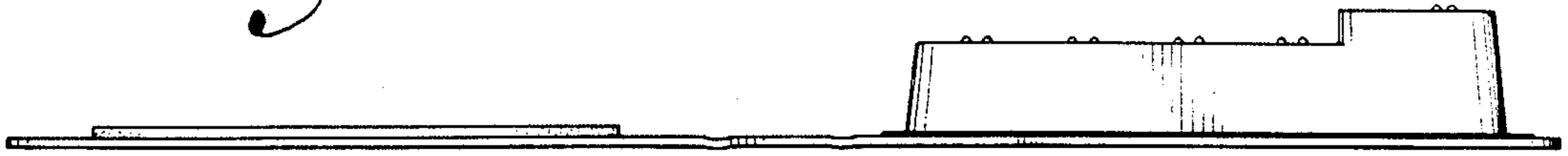


Fig. 5.

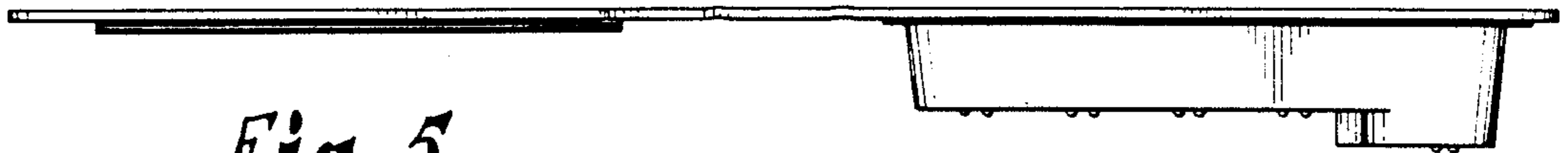


Fig. 6.



Fig. 7.

Fig. 8.

