

[54] PROTECTIVE SHIELD FOR SHOE HEELS

[76] Inventor: Ulysses C. Beaty, 1825 E. 1st St., Lubbock, Tex. 79403

[**] Term: 14 Years

[21] Appl. No.: 729,935

[22] Filed: May 3, 1985

[52] U.S. Cl. D2/277; D2/314; D2/317

[58] Field of Search D2/271, 277, 314, 317; 368/71.5, 72 R, 72 B, 40, 41

[56] References Cited

U.S. PATENT DOCUMENTS

D. 31,421	8/1899	Brown	D2/317
D. 32,441	4/1900	Luther	D2/317
D. 49,747	10/1916	Lindsten	D2/317
539,843	5/1895	Williams	36/72 B
2,691,833	10/1954	Forbes	D2/317 X

FOREIGN PATENT DOCUMENTS

34740	3/1886	Fed. Rep. of Germany	36/72 B
491842	6/1928	Fed. Rep. of Germany	36/72 B
911757	11/1962	United Kingdom	36/72 B
2126871	4/1984	United Kingdom	36/72 B

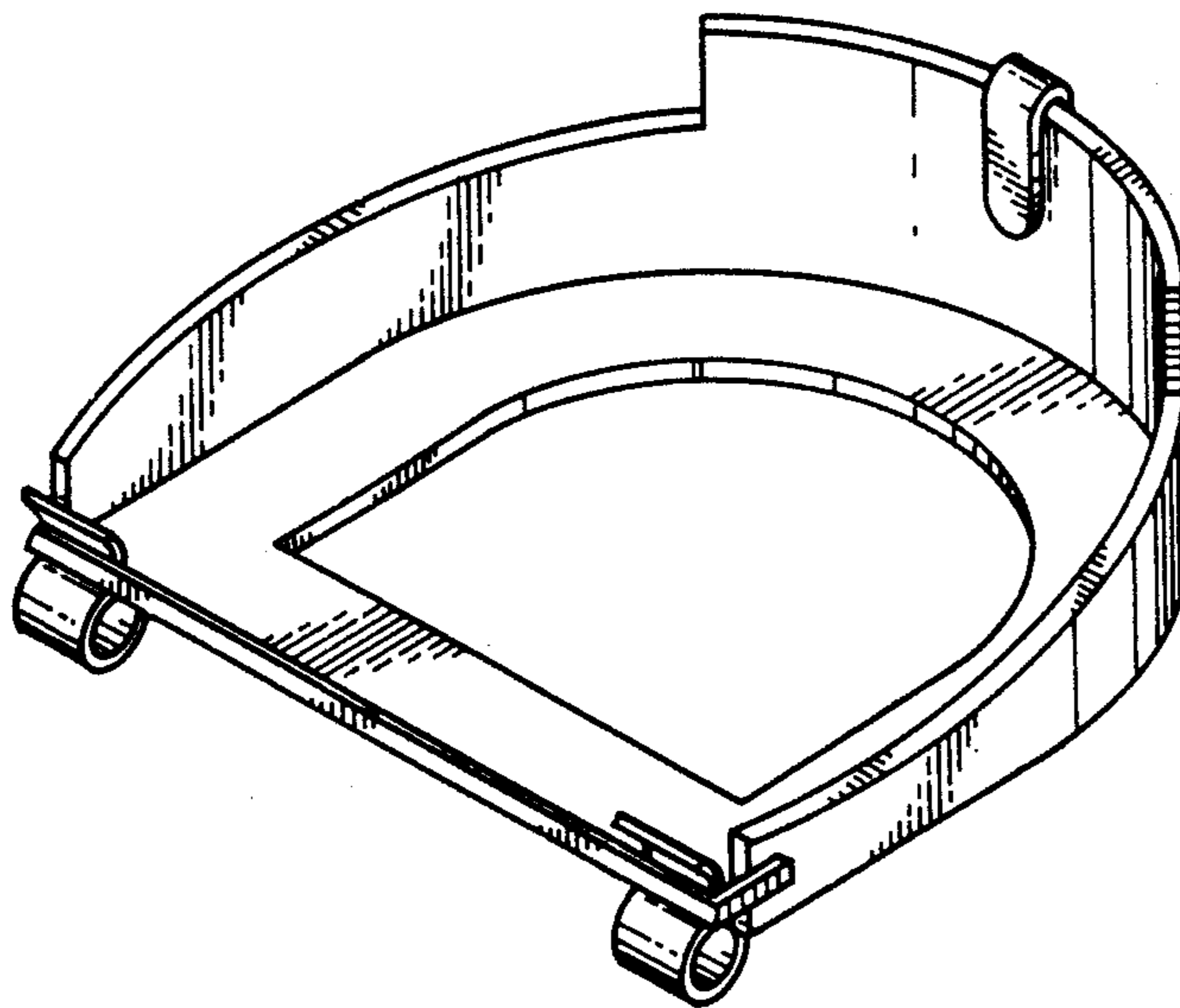
Primary Examiner—Nelson C. Holtje
Attorney, Agent, or Firm—Don E. Ferrell

[57] CLAIM

The ornamental design for a protective shield for shoe heels, as shown and described.

DESCRIPTION

FIG. 1 is a front and top right perspective view of a protective shield for shoe heels showing my new design;
FIG. 2 is a front elevational view thereof;
FIG. 3 is a rear elevational view thereof;
FIG. 4 is a left side elevational view thereof;
FIG. 5 is a bottom plan view thereof.



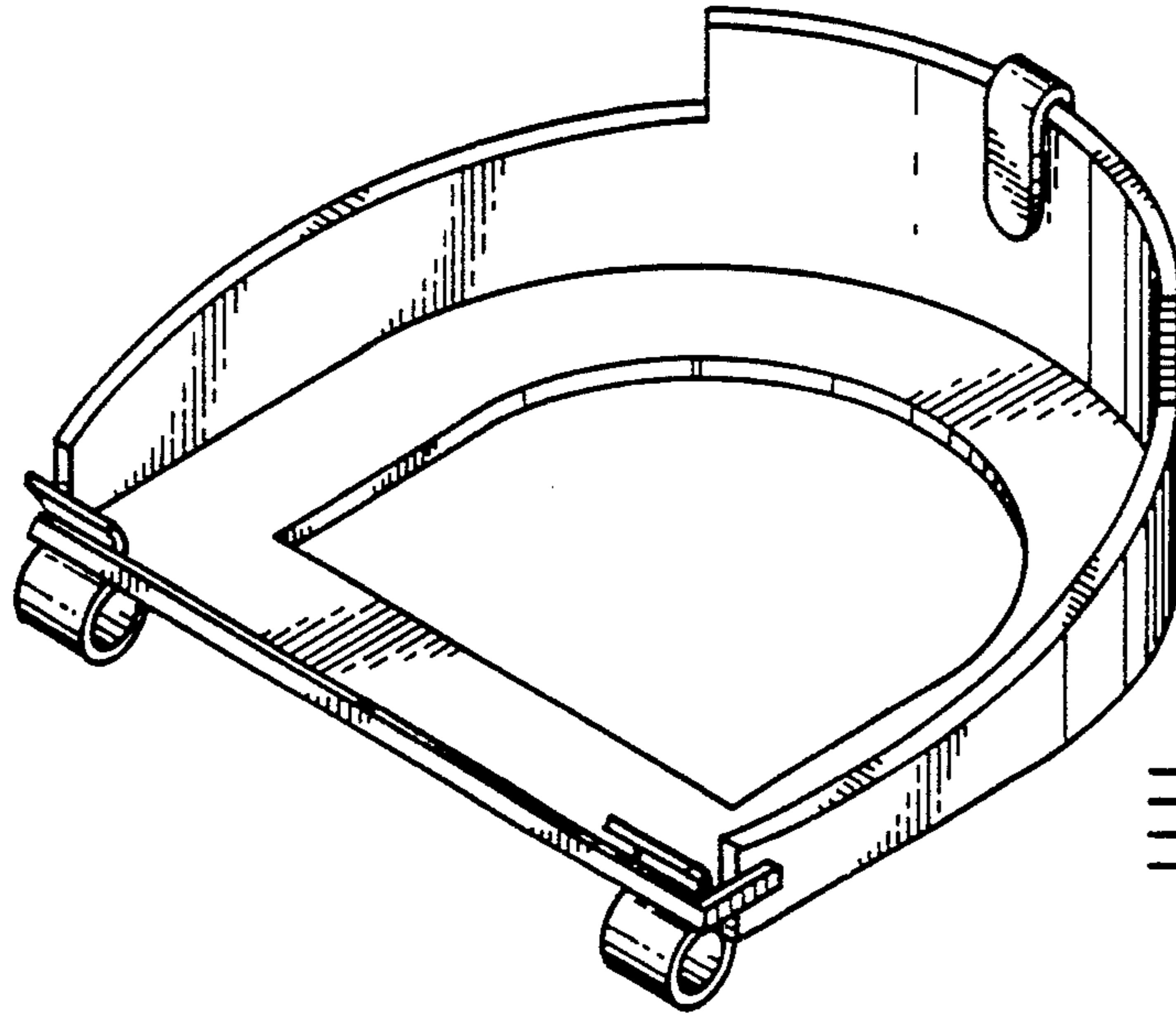


Fig. 1

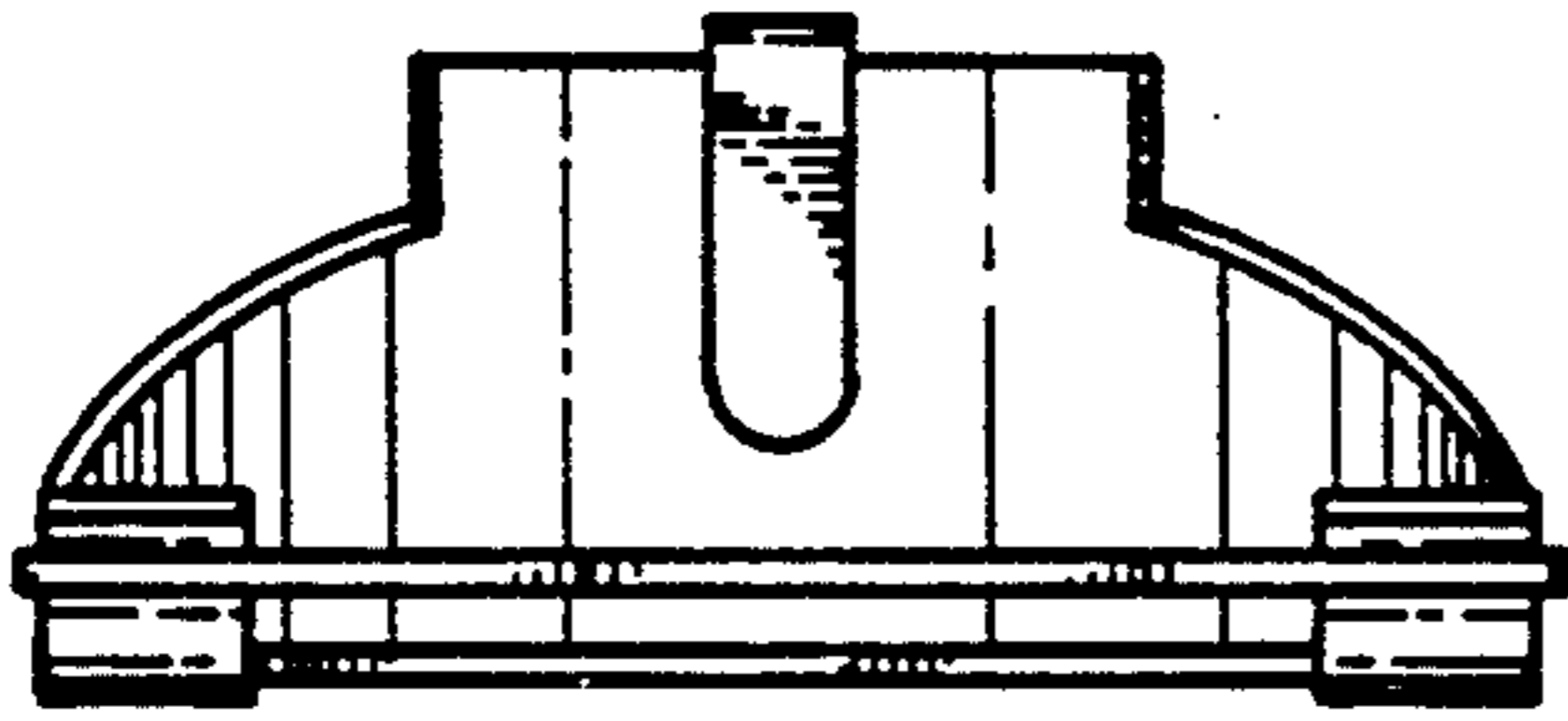


Fig. 2

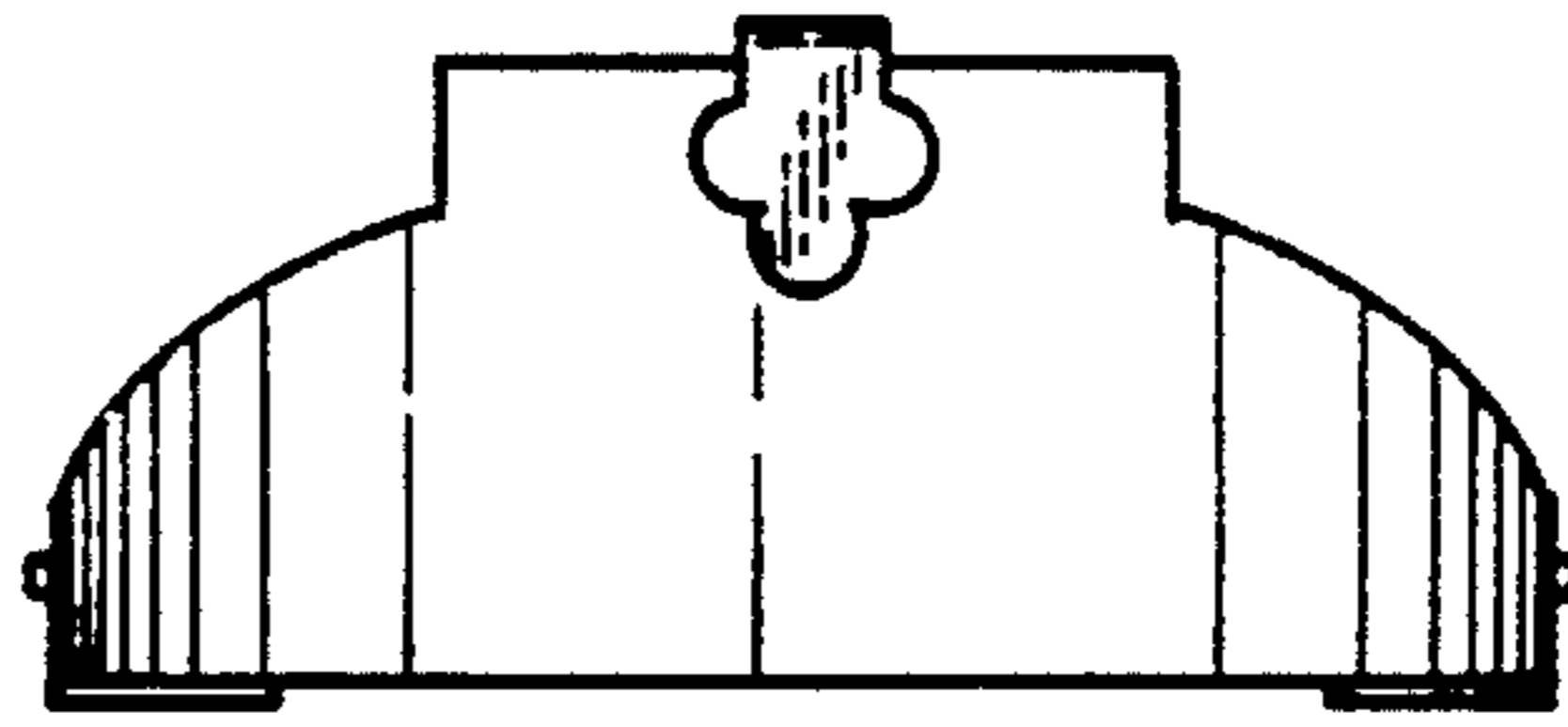


Fig. 3

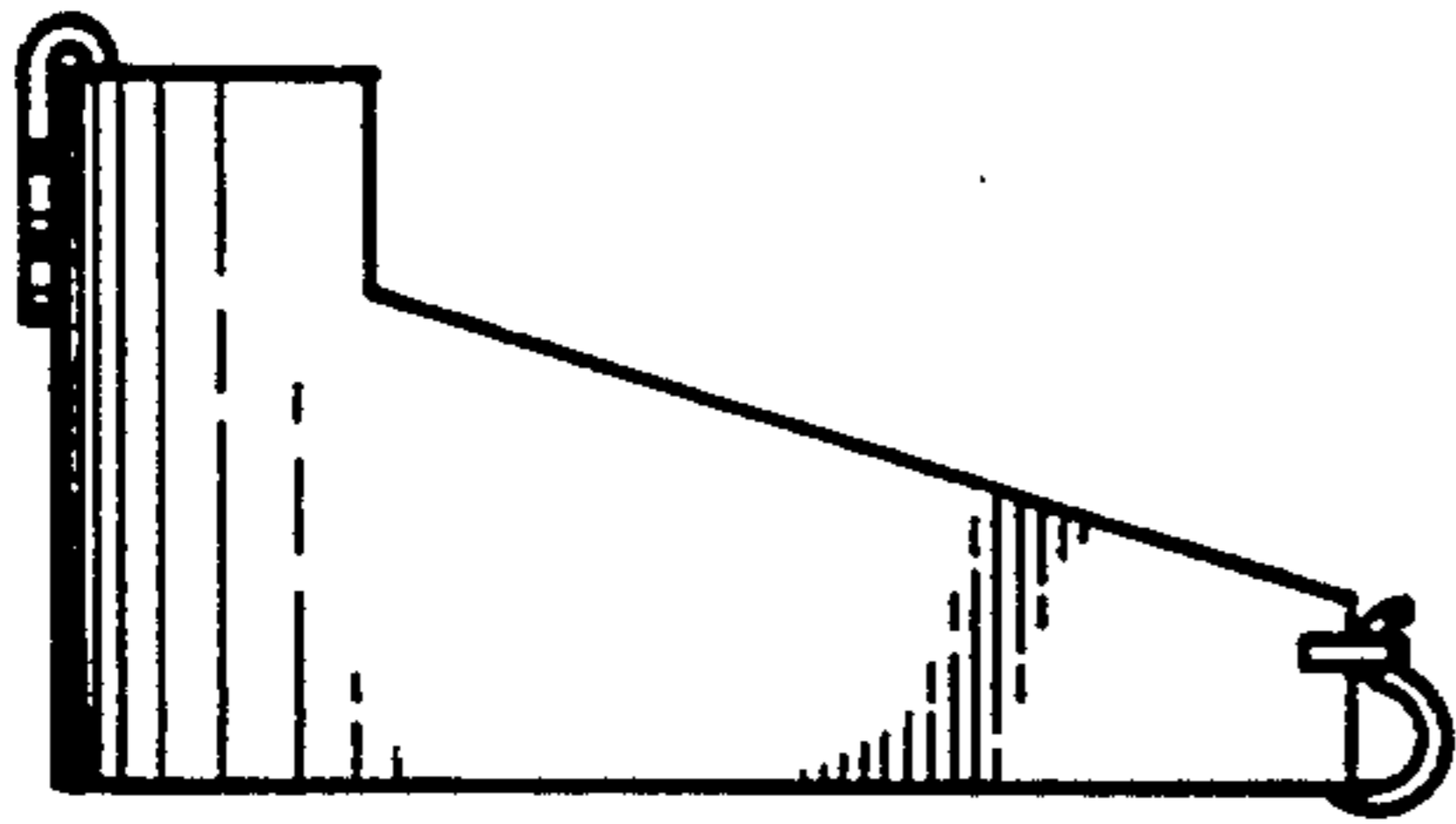


Fig. 4

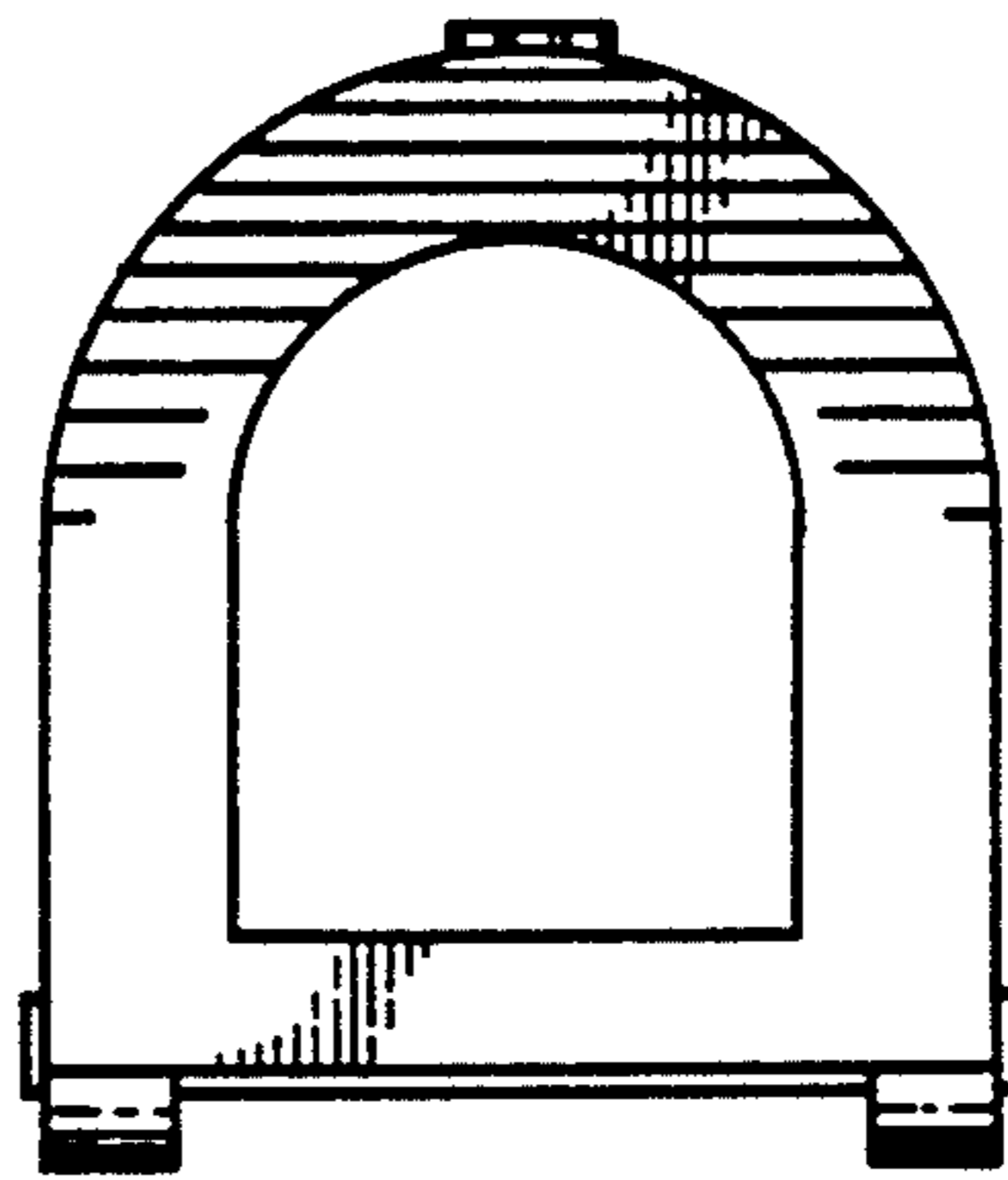


Fig. 5