

[54] **SINK DRAINBOARD**

[76] **Inventor: Walter C. McDaniel, Sr., Rte. 5, Box 92, Eufaula, Ala. 36027**

[**] **Term: 14 Years**

[21] **Appl. No.: 780,634**

[22] **Filed: Sep. 26, 1985**

[52] **U.S. Cl. D32/56**

[58] **Field of Search D32/56, 55, 57; 211/41; 4/654, 656**

[56] **References Cited**

U.S. PATENT DOCUMENTS

D. 94,131	12/1934	Gross	D32/56
D. 196,169	9/1963	Steinberg	D32/56
D. 267,125	11/1982	Luoma	D32/56
D. 280,249	8/1985	Martin	D32/56
D. 288,374	2/1987	Ikeda	D32/56

D.288,375 2/1987 Okami D32/56

Primary Examiner—Catherine E. Kemper
Attorney, Agent, or Firm—Jennings, Carter, Thompson & Veal

[57] **CLAIM**

The ornamental design for a sink drainboard, as shown and described.

DESCRIPTION

FIG. 1 is a perspective view of a sink drainboard showing my new design;
FIG. 2 is an enlarged front elevational view of the sink drainboard shown in FIG. 1;
FIG. 3 is a rear elevational view thereof;
FIG. 4 is a side elevational view thereof, the side not shown being a mirror image of the side shown;
FIG. 5 is a top plan view thereof; and,
FIG. 6 is a bottom view thereof.

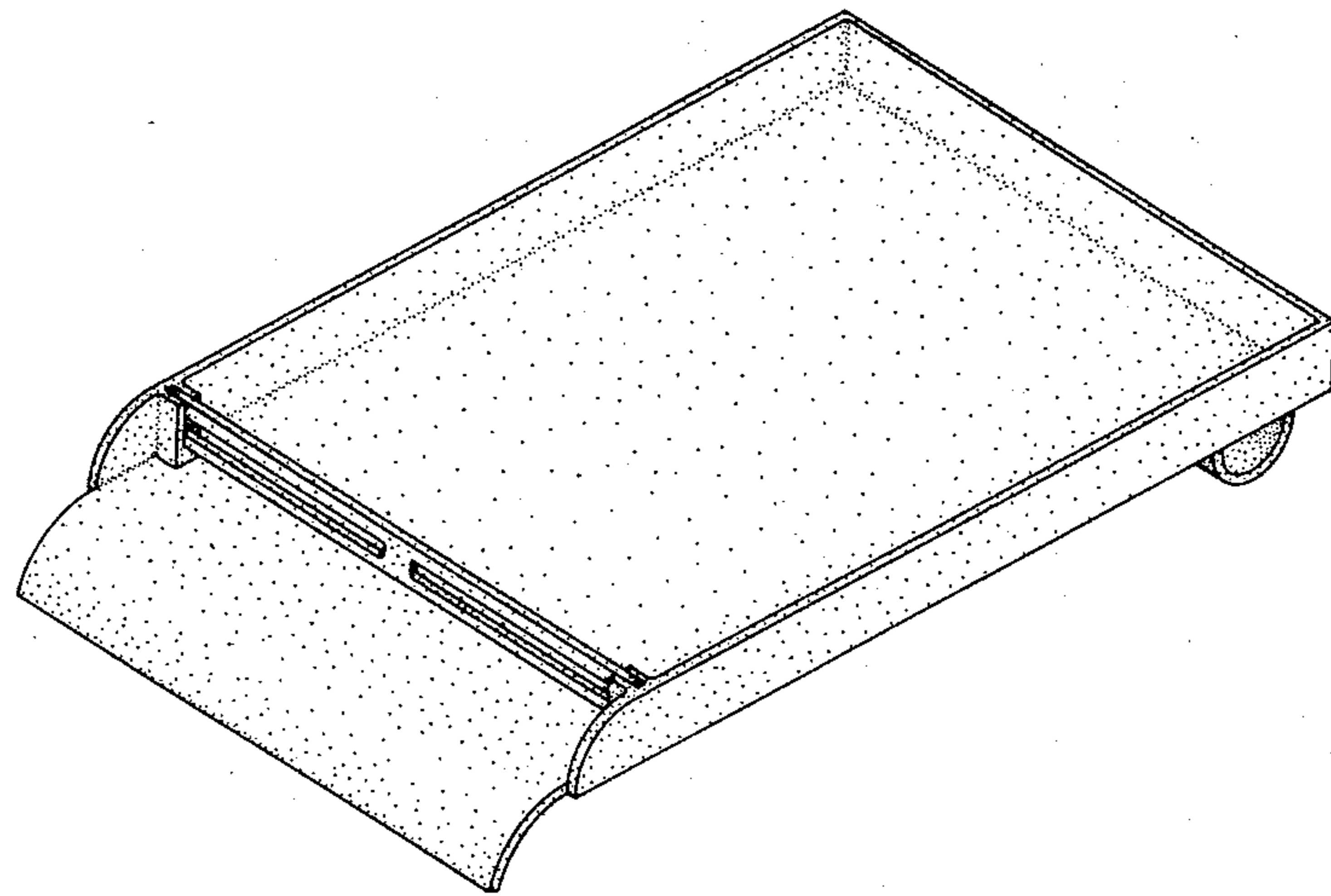


Fig. 1

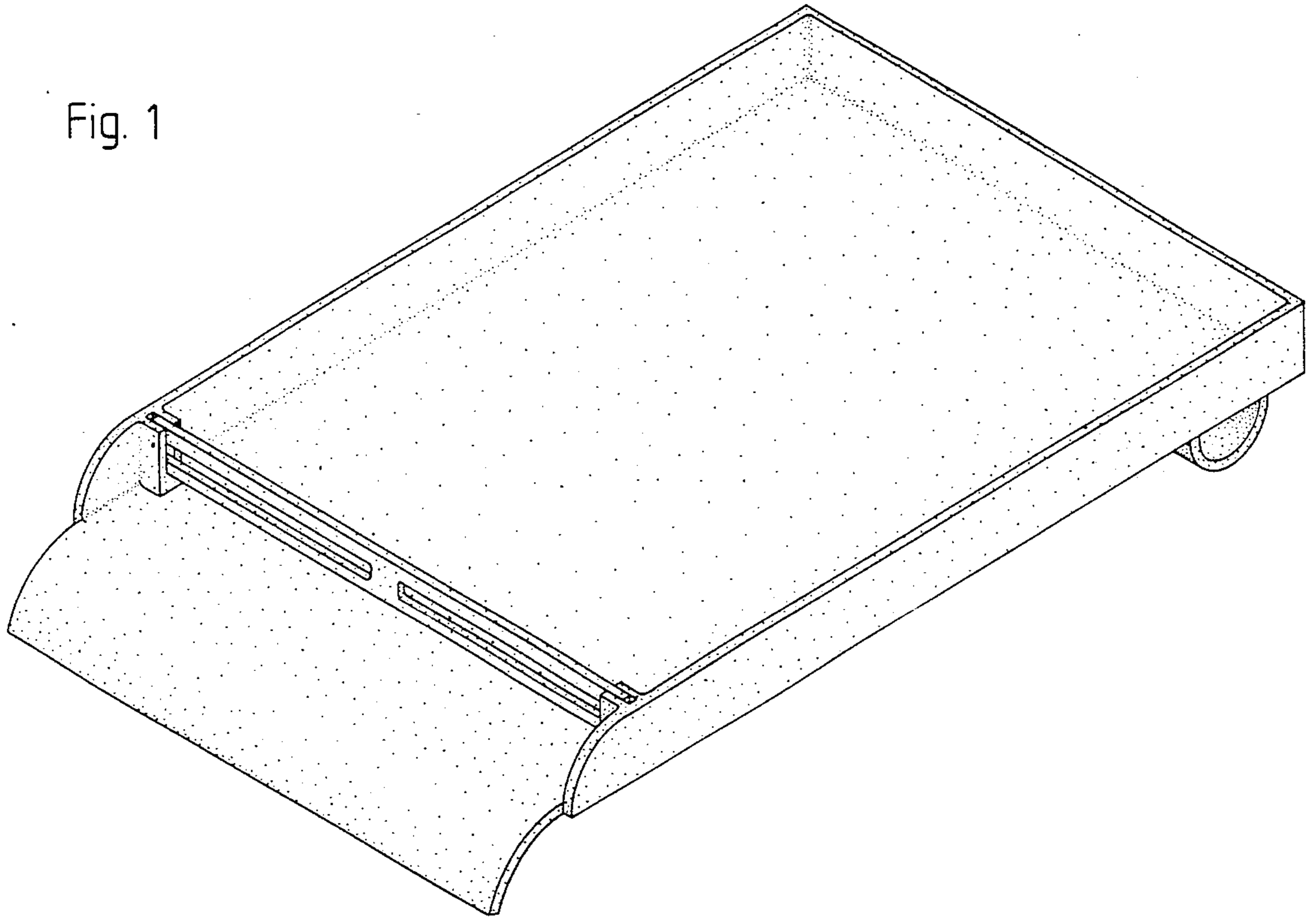


Fig. 2

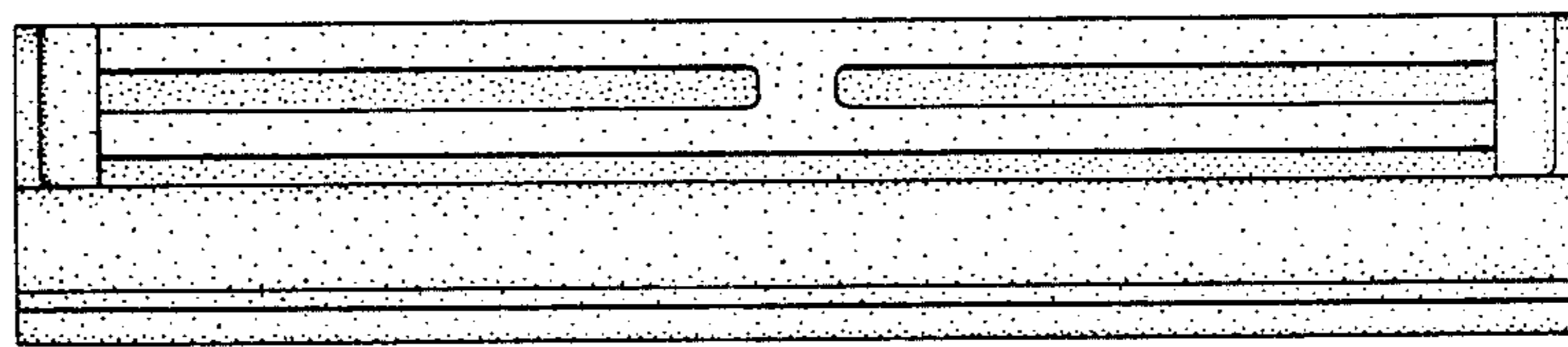


Fig. 3

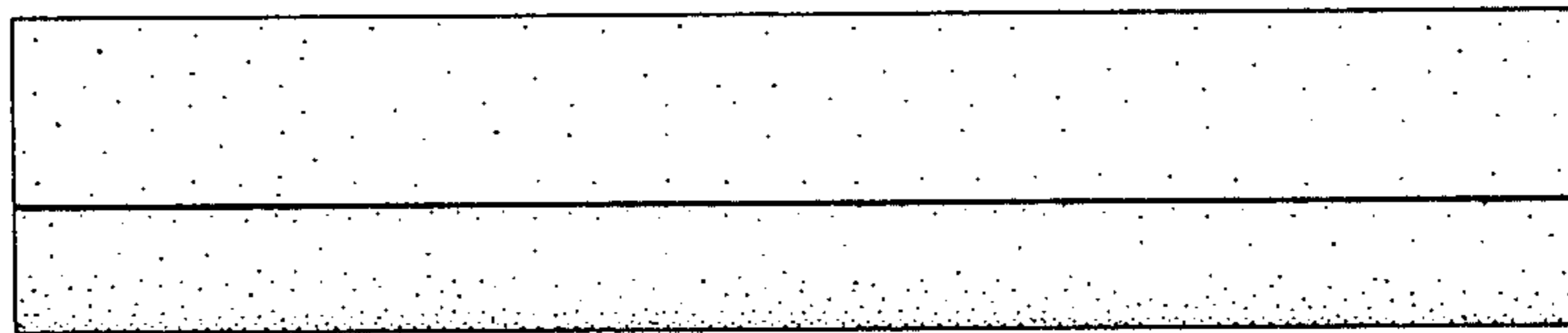


Fig. 4

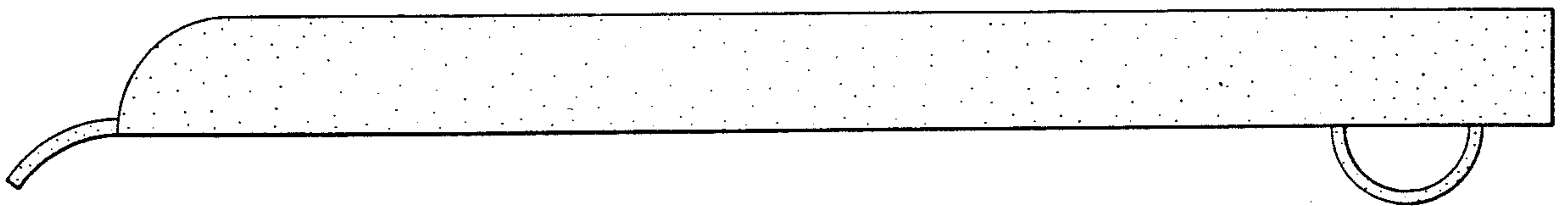


Fig. 5

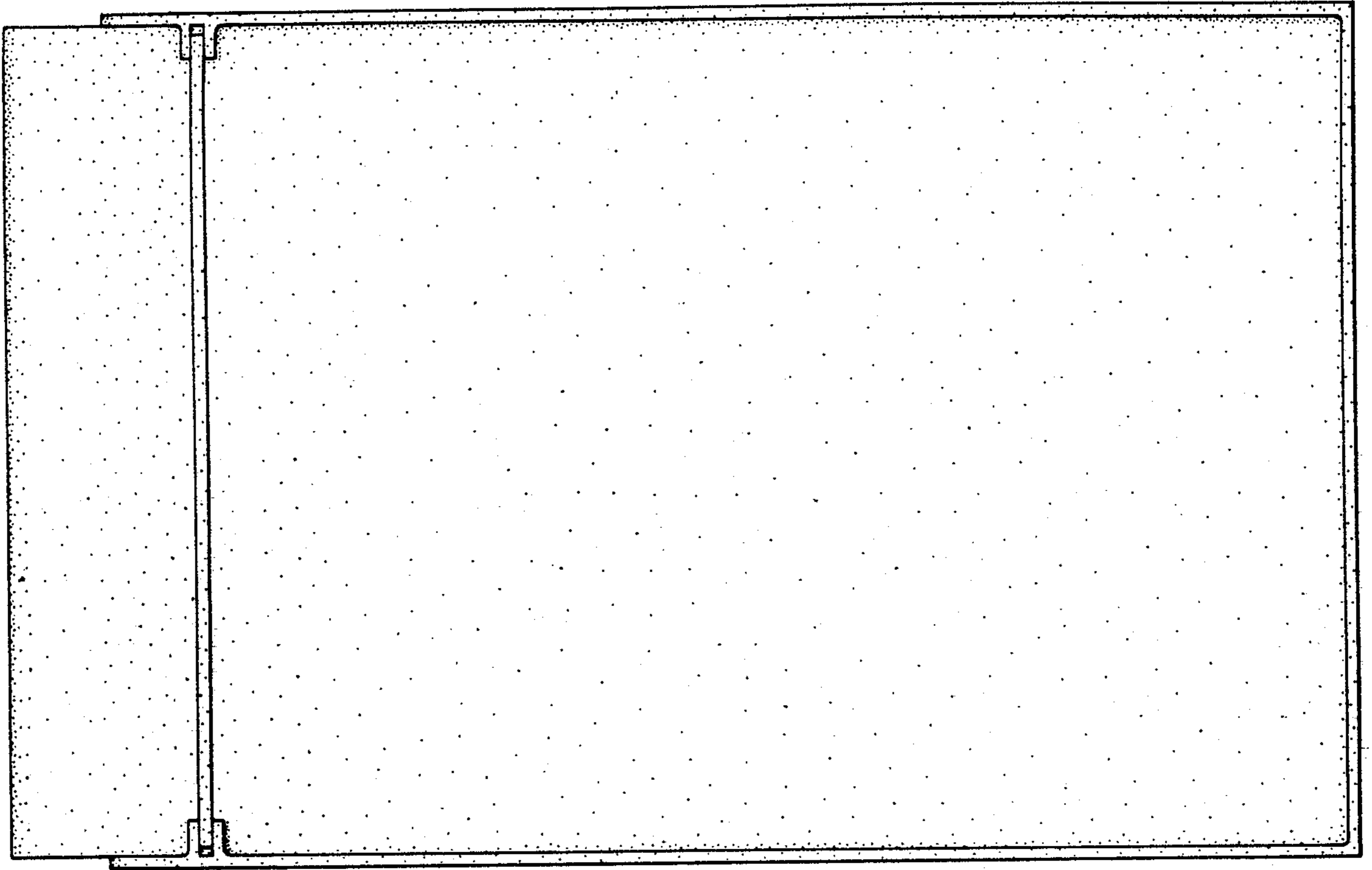


Fig. 6

