

[54] PROSTHETIC JOINT IMPLANT FOR A FINGER OR TOE OR THE LIKE

[75] Inventor: Jerry L. Aikins, Warsaw, Ind.

[73] Assignee: Zimmer, Inc., Warsaw, Ind.

[\*\*] Term: 14 Years

[21] Appl. No.: 732,027

[22] Filed: May 8, 1985

[52] U.S. Cl. .... D24/33

[58] Field of Search ..... D24/33; 623/18, 21

[56] References Cited

U.S. PATENT DOCUMENTS

D. 277,509	2/1985	Lawrence et al. ....	D24/33
D. 277,784	2/1985	Scarlato et al. ....	D24/33
2,845,748	8/1958	Derham .....	46/152
3,462,765	8/1969	Swanson .....	3/1
3,593,342	7/1971	Niebauer .....	3/1
3,681,786	8/1972	Lynch .....	3/1
3,739,403	6/1973	Nicolle .....	3/1
3,760,427	9/1973	Schultz .....	3/1
3,875,594	4/1975	Swanson .....	3/1
4,158,893	6/1979	Swanson .....	3/1.91
4,198,713	4/1980	Swanson .....	3/1.91
4,229,839	10/1980	Schwemmer .....	3/1.91
4,246,662	1/1981	Pastrick .....	3/1.91
4,367,562	1/1983	Gauthier .....	3/1.91
4,375,703	3/1983	Evans et al. ....	3/1.91
4,467,479	8/1984	Brody .....	3/1.91

FOREIGN PATENT DOCUMENTS

0115564	8/1984	European Pat. Off. .
1479693	7/1977	United Kingdom .
1582450	1/1981	United Kingdom .
2126095	3/1984	United Kingdom .

OTHER PUBLICATIONS

Dow Corning Wright-Silastic® Orthopaedic Implants H. P. for The Hand and Forearm-Surgical Procedures-1984.

The Biomeric™ Finger Prosthesis-Advertisement-Johnson & Johnson Products, Inc.-Orthopaedic Division-1982.

Schultz MP Joint Replacement-Zimmer brochure-Zimmer, Inc. 1976.

Primary Examiner-A. Hugo Word

Assistant Examiner-Stella M. Reid

Attorney, Agent, or Firm-Margaret L. Geringer

[57] CLAIM

The ornamental design for a prosthetic joint implant for a finger or toe or the like, as shown and described.

DESCRIPTION

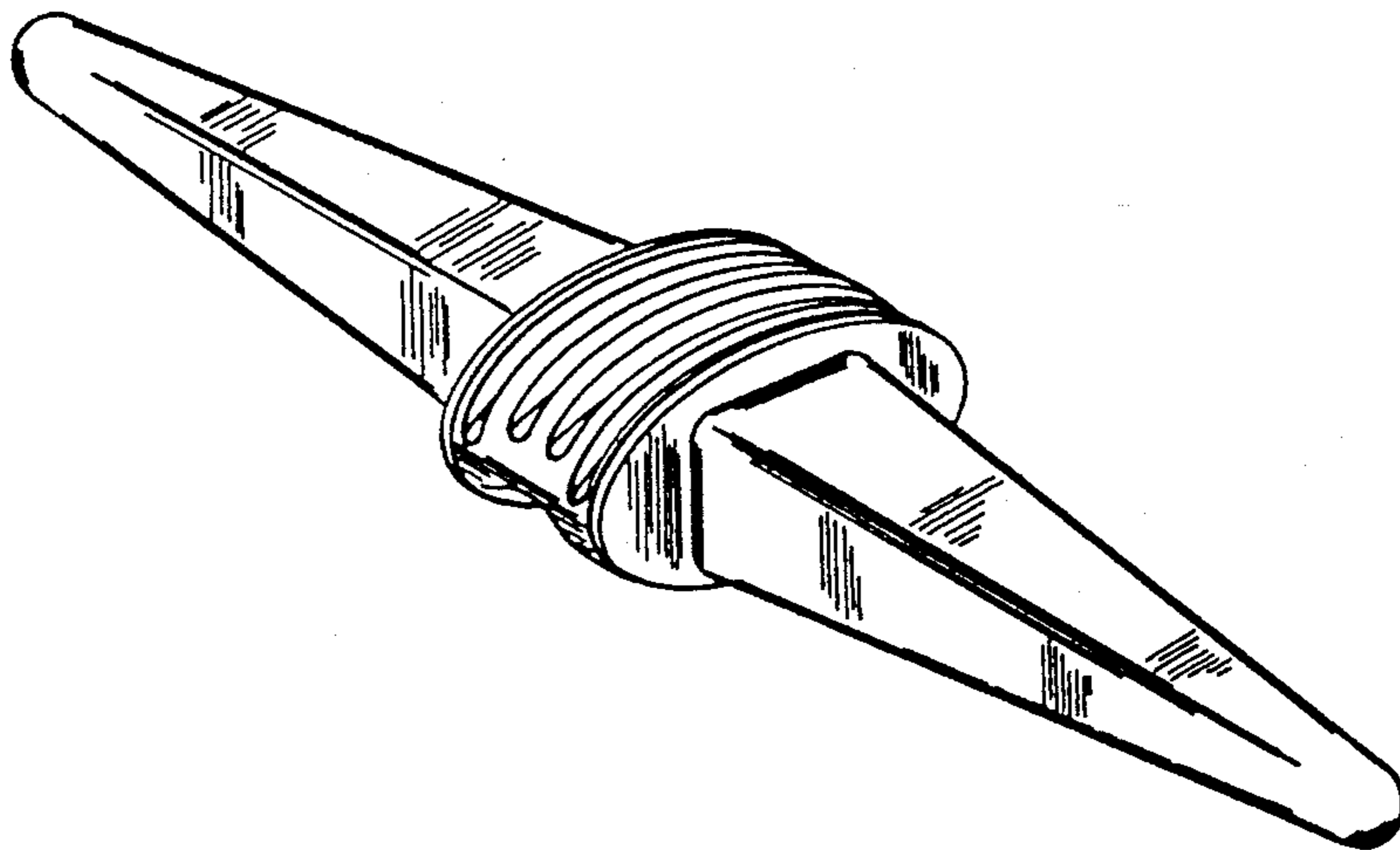
FIG. 1 is a perspective view of a prosthetic joint implant for a finger or toe or the like showing my new design;

FIG. 2 is a side elevational view thereof;

FIG. 3 is a top plan view thereof;

FIG. 4 is a bottom plan view thereof; and

FIG. 5 is an end elevational view thereof.



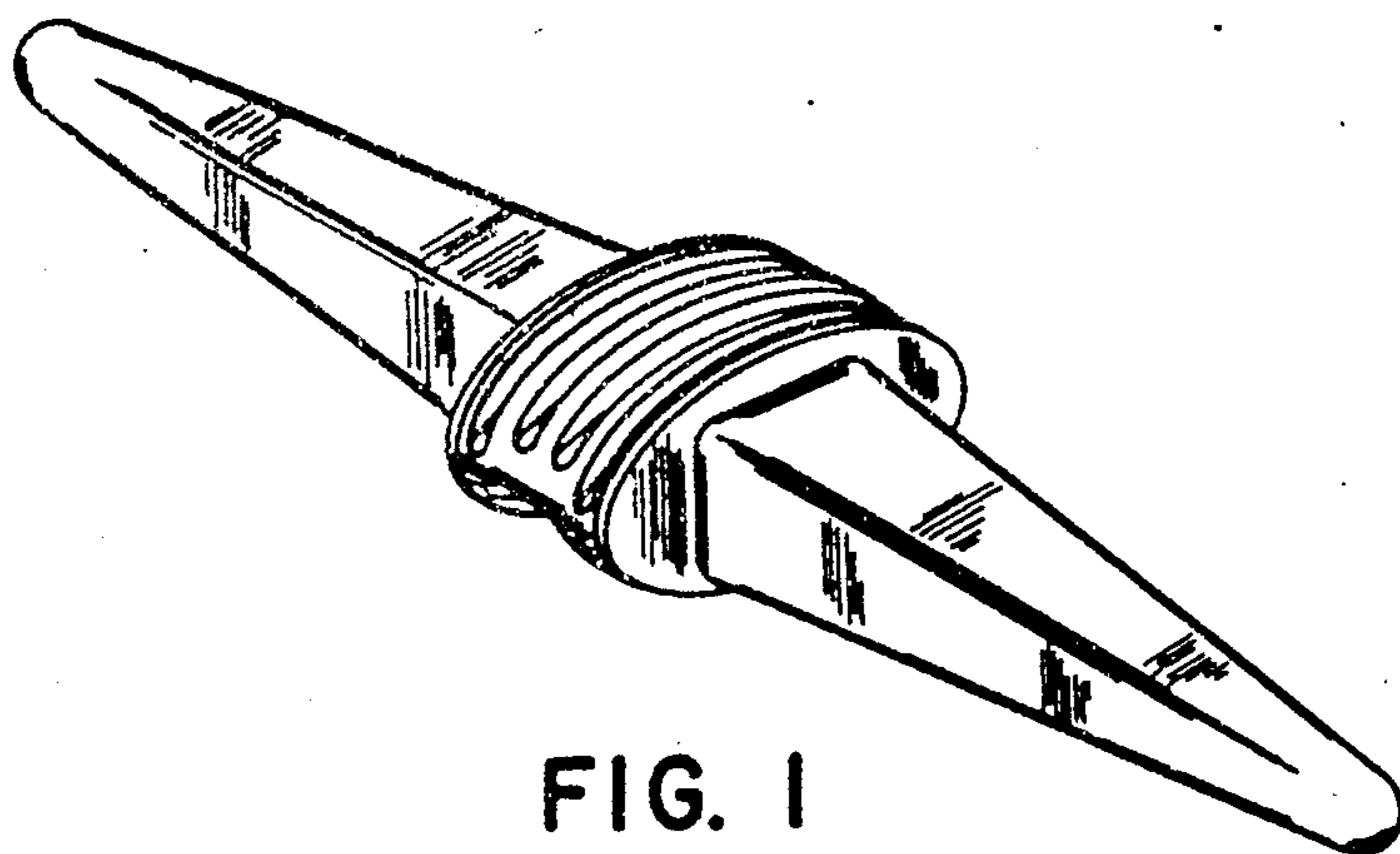


FIG. 1

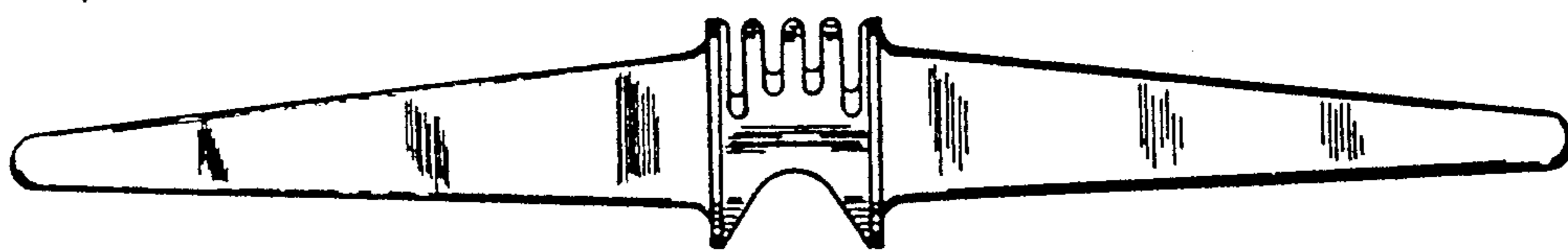


FIG. 2

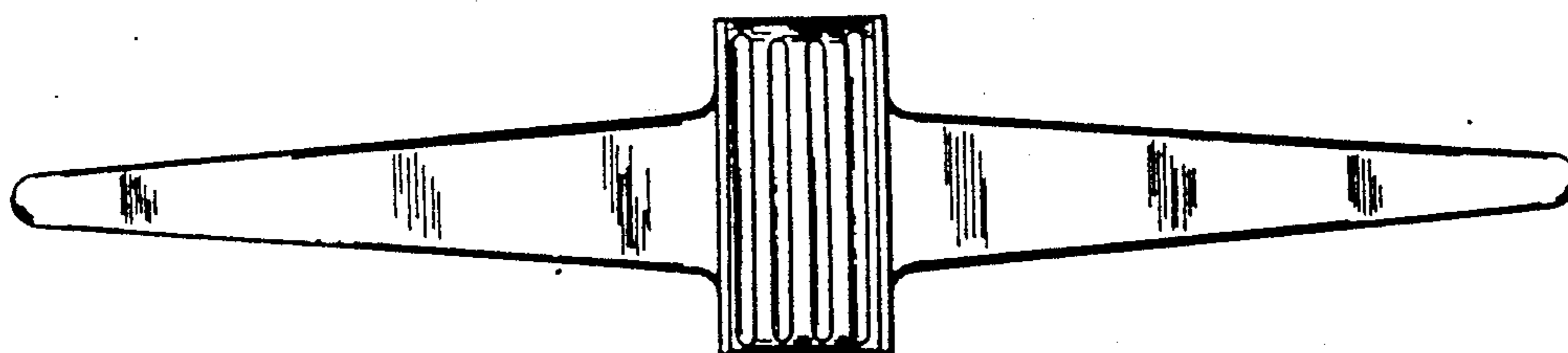


FIG. 3

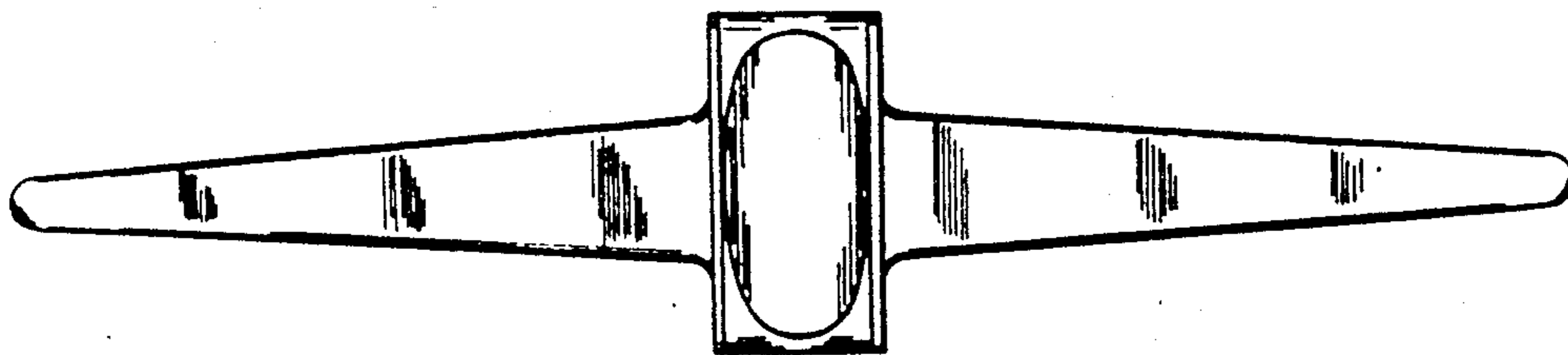


FIG. 4

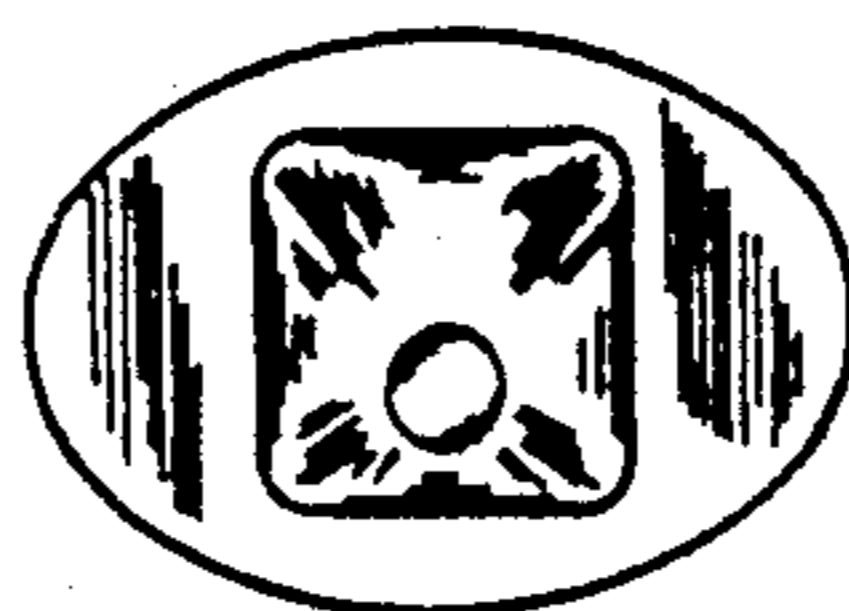


FIG. 5