

[54] **SYRINGE CLIP**

[75] **Inventor: Garry Hoyt, Grapevine, Tex.**

[73] **Assignee: Fisher Scientific Group Inc., San Diego, Calif.**

[\*\*] **Term: 14 Years**

[21] **Appl. No.: 708,777**

[22] **Filed: Mar. 6, 1985**

[52] **U.S. Cl. .... D24/27; D8/396**

[58] **Field of Search .... D24/61, 52, 27, 8; D8/396, 395, 394, 371; 24/304, 545, DIG. 11; 248/316.7, 313, 205.1, 205.2, 205.3; 128/DIG. 26; 604/250, 245, 246, 253, 65, 67; D19/54-56**

[56] **References Cited**

**U.S. PATENT DOCUMENTS**

D. 208,105 7/1967 Haber ..... D8/395 X  
D. 222,430 10/1971 Jarvis ..... D8/395 X

D. 241,314 9/1976 Hug ..... D8/395  
D. 269,155 5/1983 Rose ..... D8/395 X  
D. 276,272 11/1984 Weissenburger ..... D8/394 X  
3,827,152 8/1974 Dailey ..... 248/316.7 X

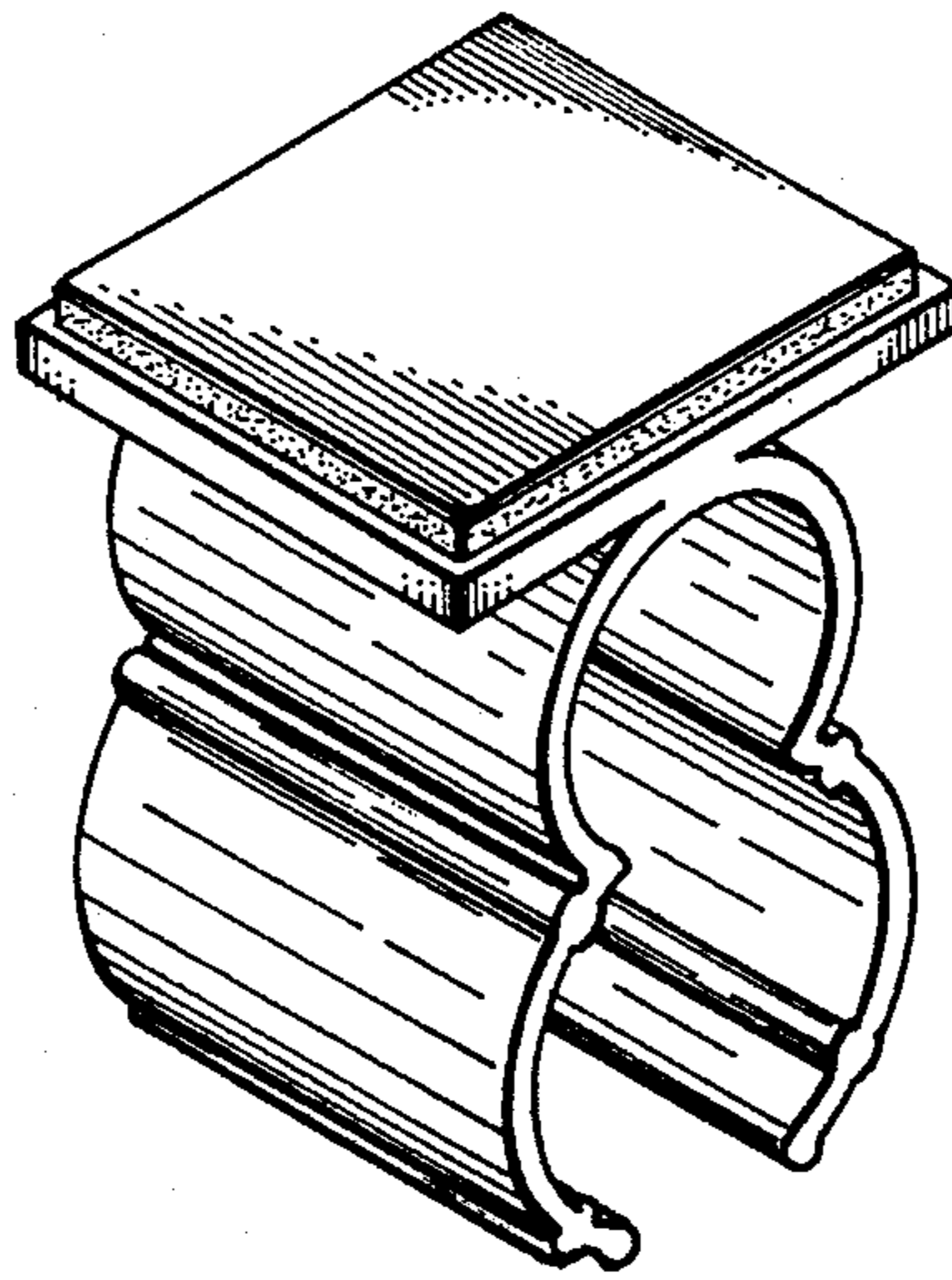
*Primary Examiner*—A. Hugo Word  
*Assistant Examiner*—Stella M. Reid  
*Attorney, Agent, or Firm*—Workman, Nydegger & Jensen

[57] **CLAIM**

The ornamental design for a syringe clip, substantially as shown.

**DESCRIPTION**

FIG. 1 is a front perspective view of a syringe clip showing my new design;  
FIG. 2 is a front elevational view thereof;  
FIG. 3 is a left side elevational view thereof;  
FIG. 4 is a bottom plan view thereof;  
FIG. 5 is a top plan view thereof; and  
FIG. 6 is a rear perspective view thereof.



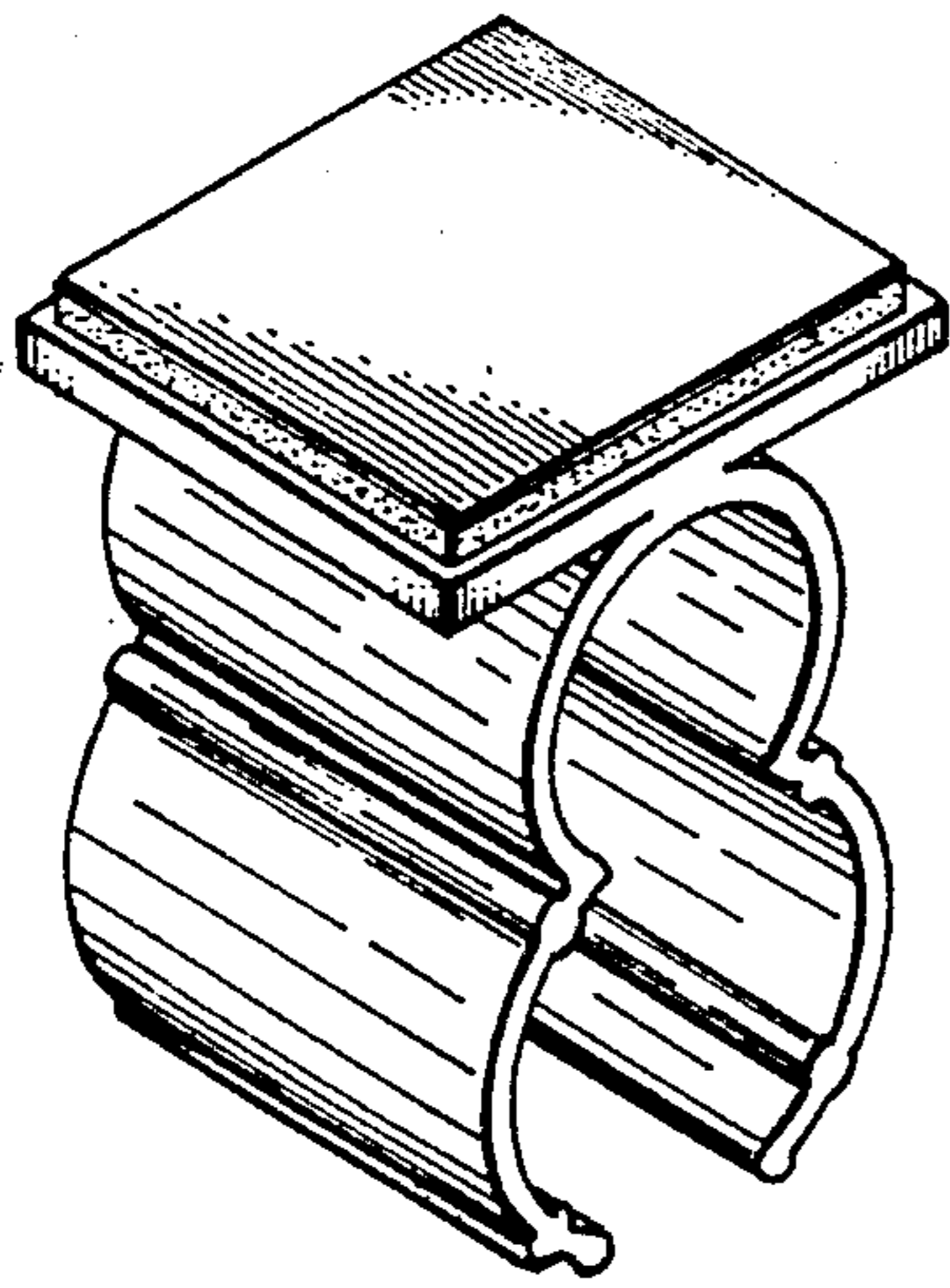


Fig. 1

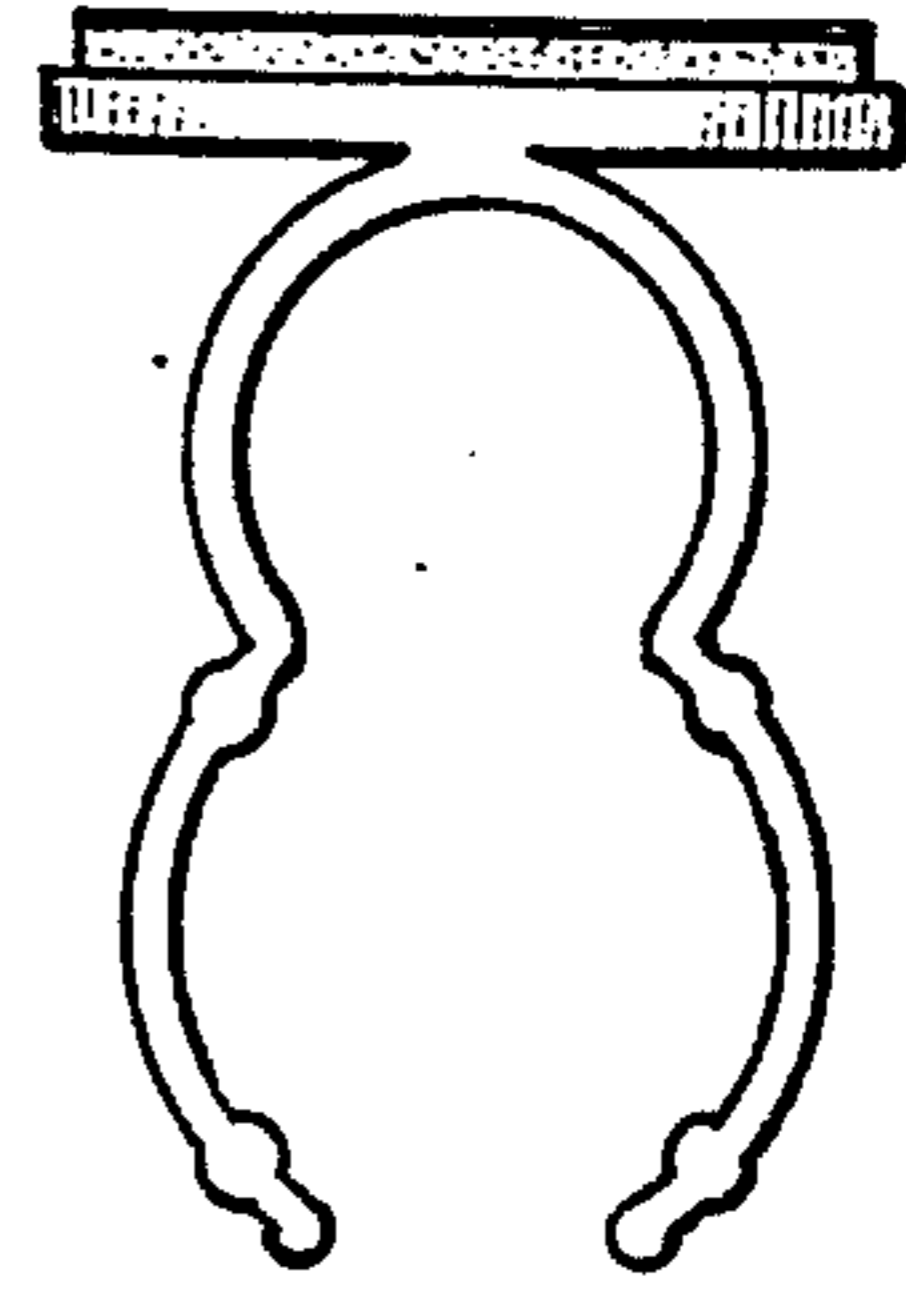


Fig. 2

Fig. 3

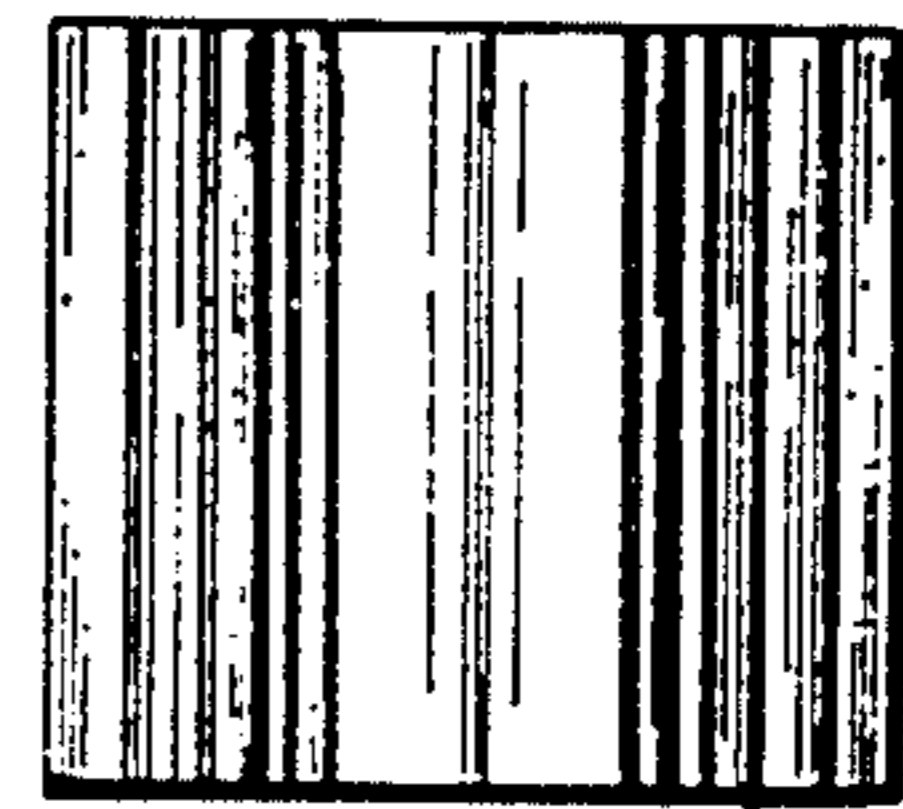
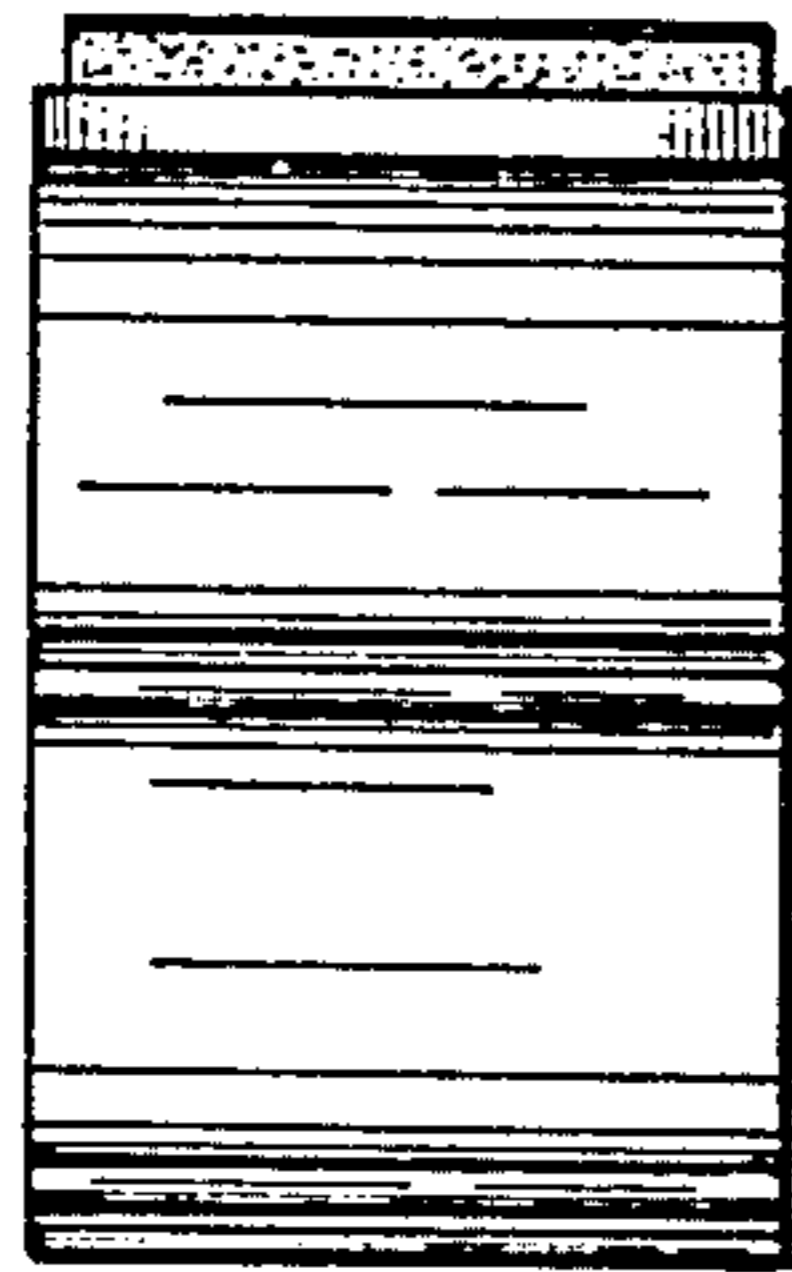


Fig. 4

Fig. 6

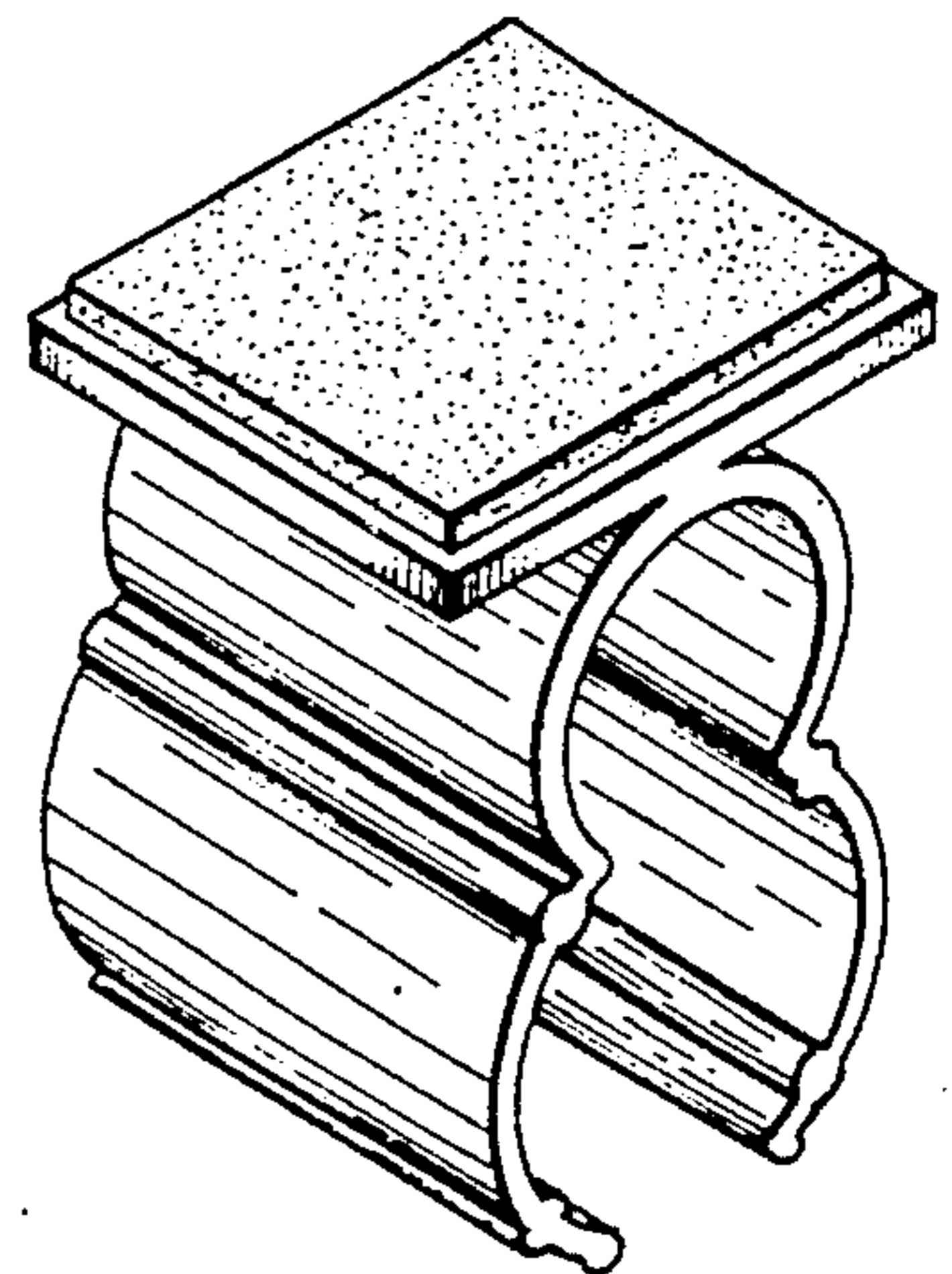


Fig. 5

