

[54] GATE VALVE

[76] Inventor: Willard E. Kemp, 14702 Broadgreen, Houston, Tex. 77079

[**] Term: 14 Years

[21] Appl. No.: 510,655

[22] Filed: Jul. 5, 1983

[52] U.S. Cl. D23/19

[58] Field of Search D23/19-22; 251/326-329

[56] References Cited

U.S. PATENT DOCUMENTS

D. 179,791	2/1957	Williams	D23/38
D. 204,655	5/1966	Lowrey et al.	D23/38
D. 238,947	2/1976	Chilek et al.	D23/19
3,063,079	11/1962	Bergman et al.	251/326 X
3,215,157	11/1965	Anderson et al.	251/327 X
3,533,598	10/1970	Tillman, III	251/327
3,557,822	1/1971	Chronister	251/328 X
3,889,925	6/1975	Brooks	251/327
3,929,316	12/1975	Guthrie	251/328 X
4,043,535	8/1977	Freeman et al.	251/329
4,222,406	9/1980	Schaefer	251/327 X
4,340,204	7/1982	Herd	251/327

OTHER PUBLICATIONS

Sales Brochures—copies attached.
W-K-M Cat. No. 82, pp. 8605, 8607 & 8606 (1982).
Gulfcoc Cat. No. 108, pp. 11, 12 & 13 (1981).
Demco Cat. G7-79, p. (2) (1979).
Vetco Tech. Bul. VTB 3-01, p. (3) (1981).
Newco Cat. pp. 25 & 26 (1982).
Gray Tool Co., Cat. p. 3185 (1982).

Primary Examiner—James R. Largen
Attorney, Agent, or Firm—Vaden, Eichenroht, Thompson & Boulware

[57] CLAIM

The ornamental design for a gate valve, substantially as shown and described.

DESCRIPTION

FIG. 1 is a front view of the gate valve embodying my design;
FIG. 2 is a top view thereof;
FIG. 3 is a bottom view thereof;
FIG. 4 is a rear view thereof;
FIG. 5 is a right side view thereof; and
FIG. 6 is a left side view thereof.

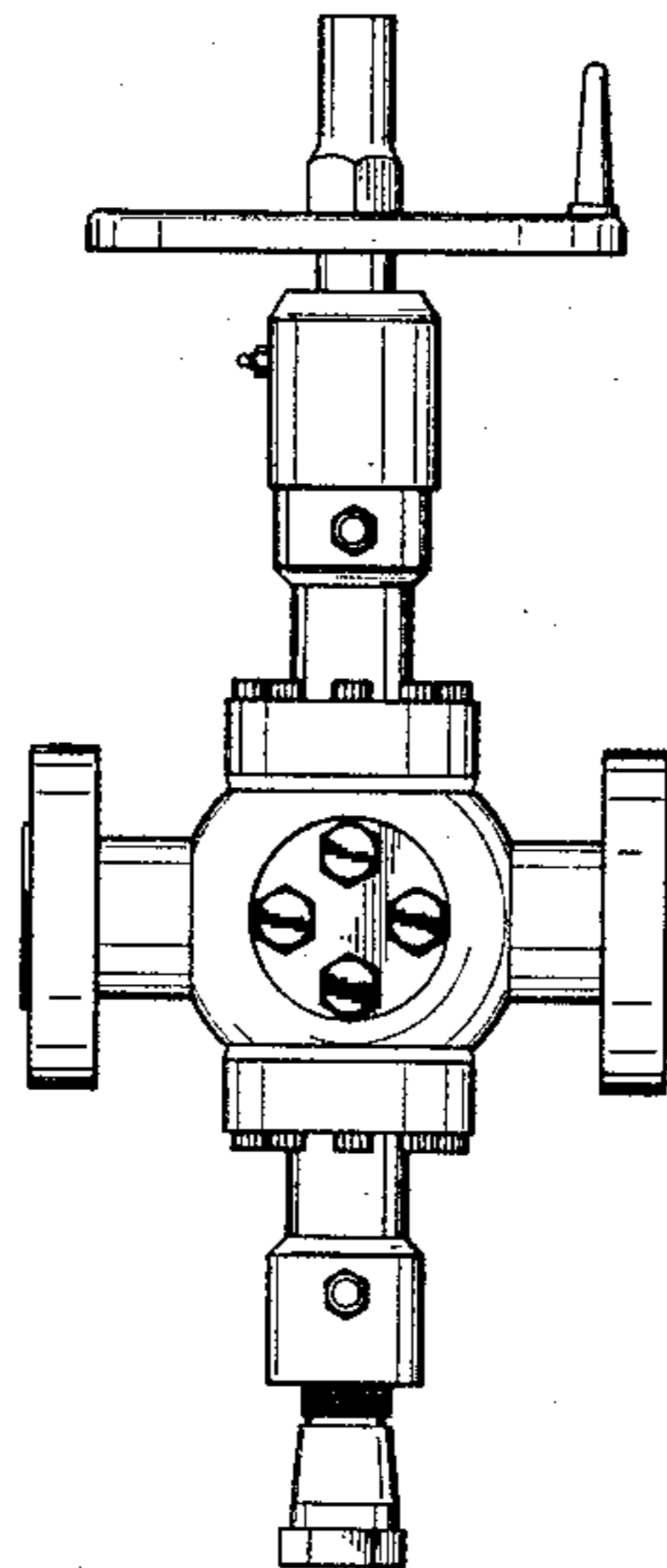


FIG. 1

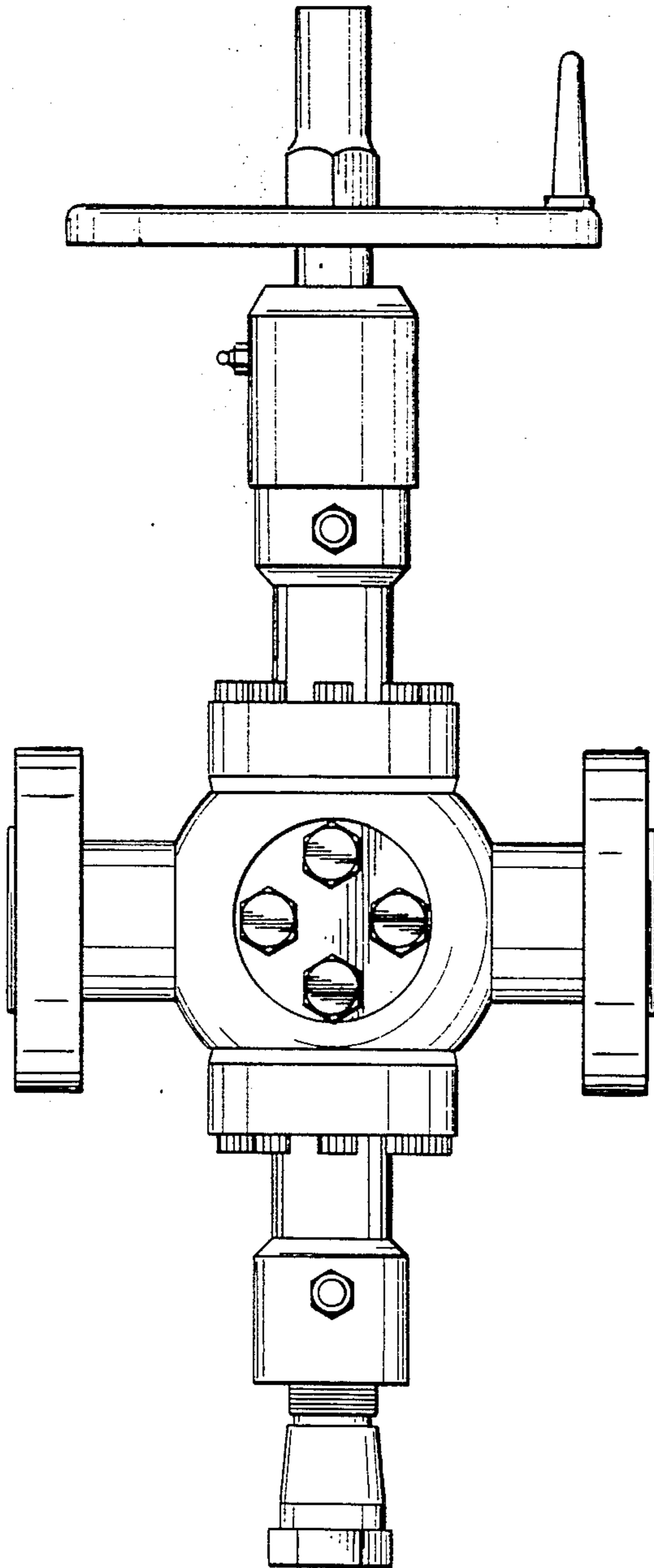


FIG. 2

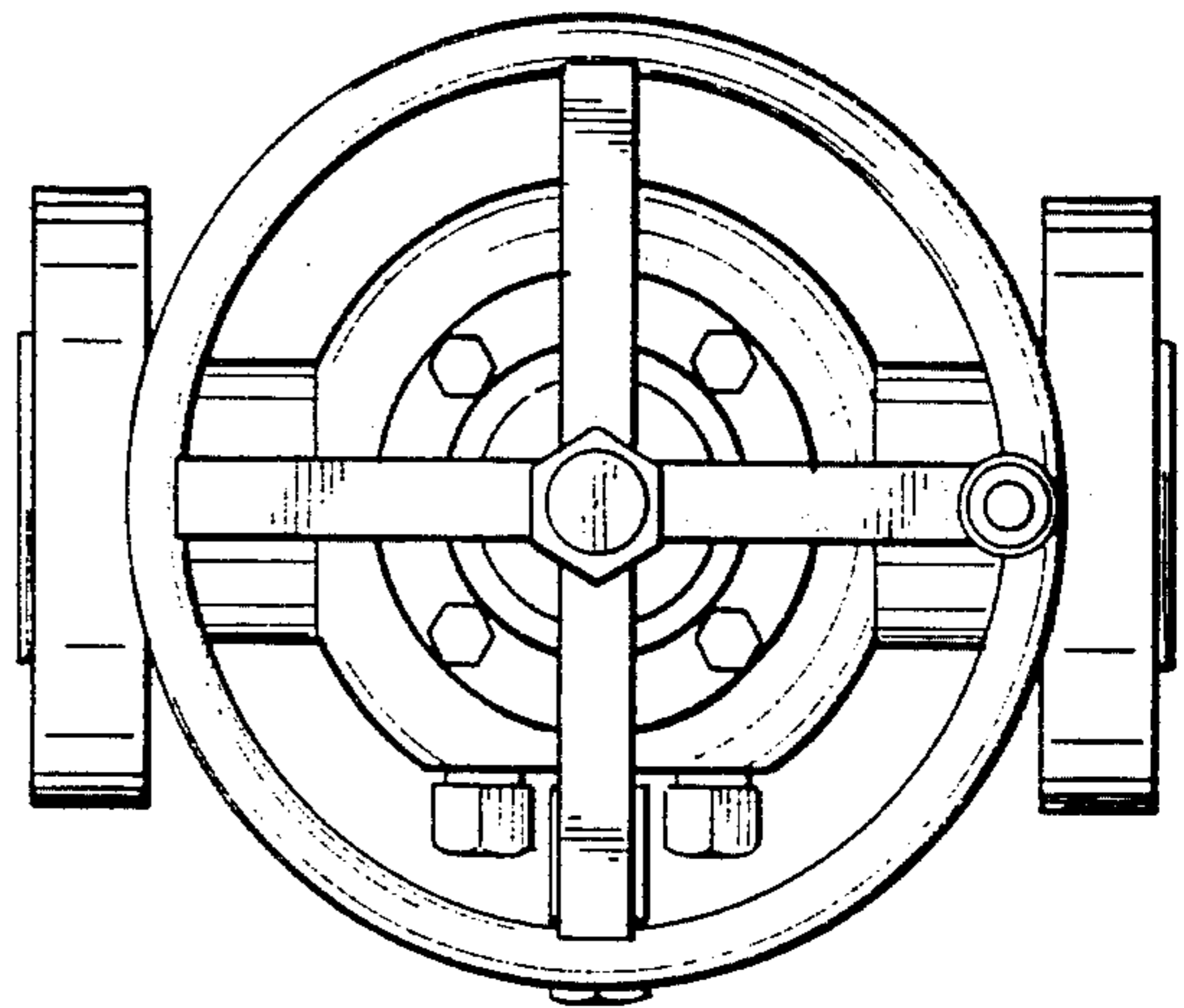
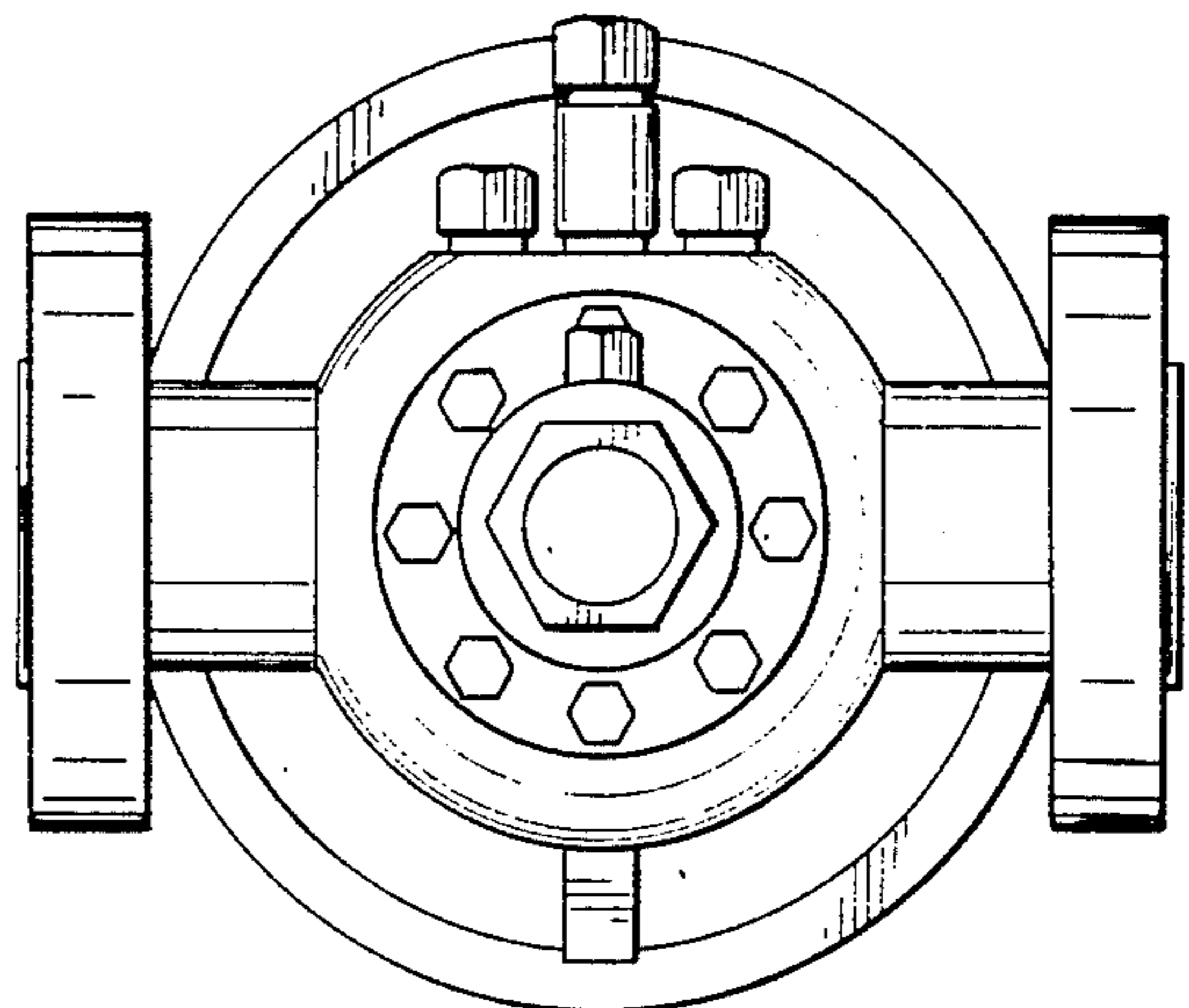


FIG. 3



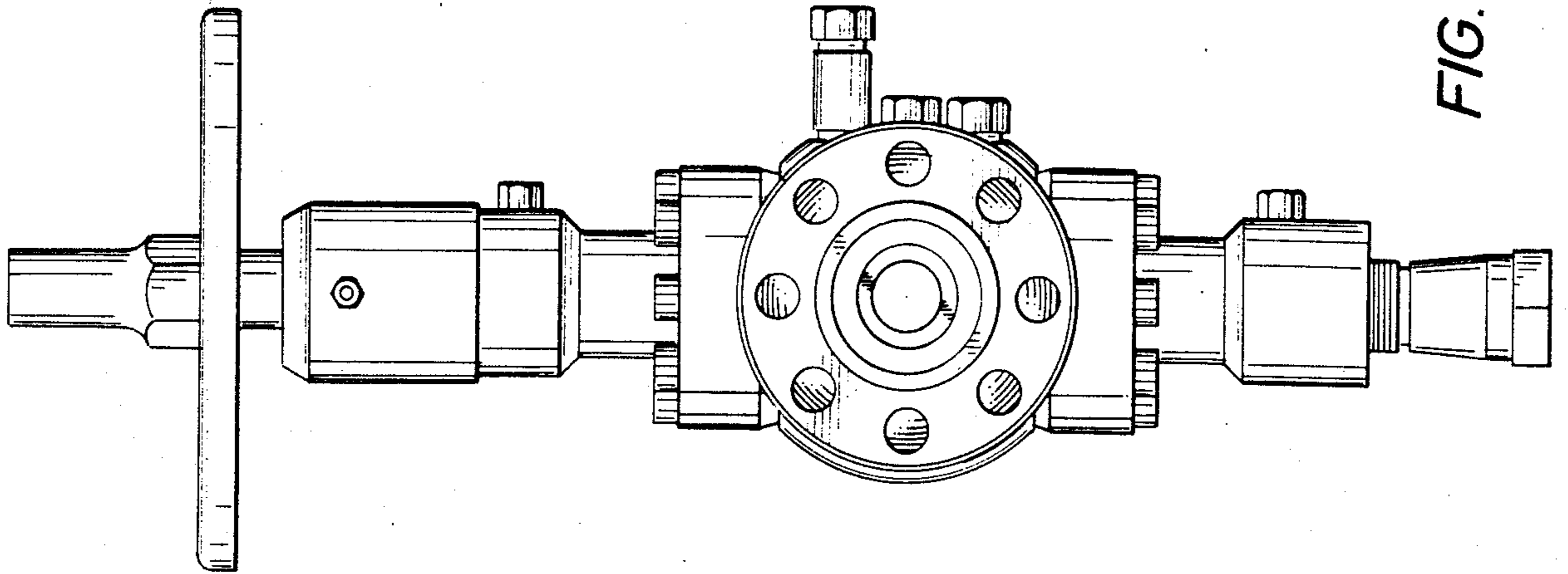


FIG. 6

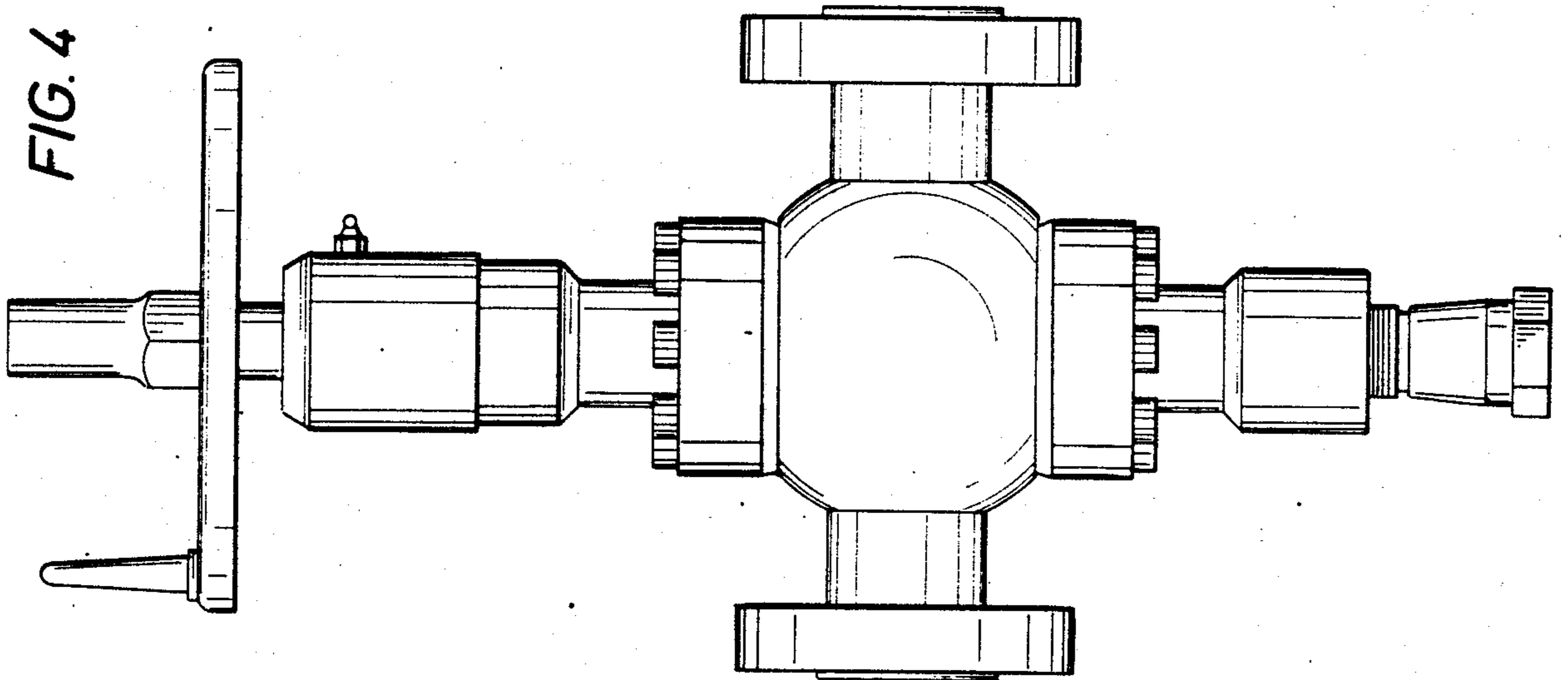


FIG. 4

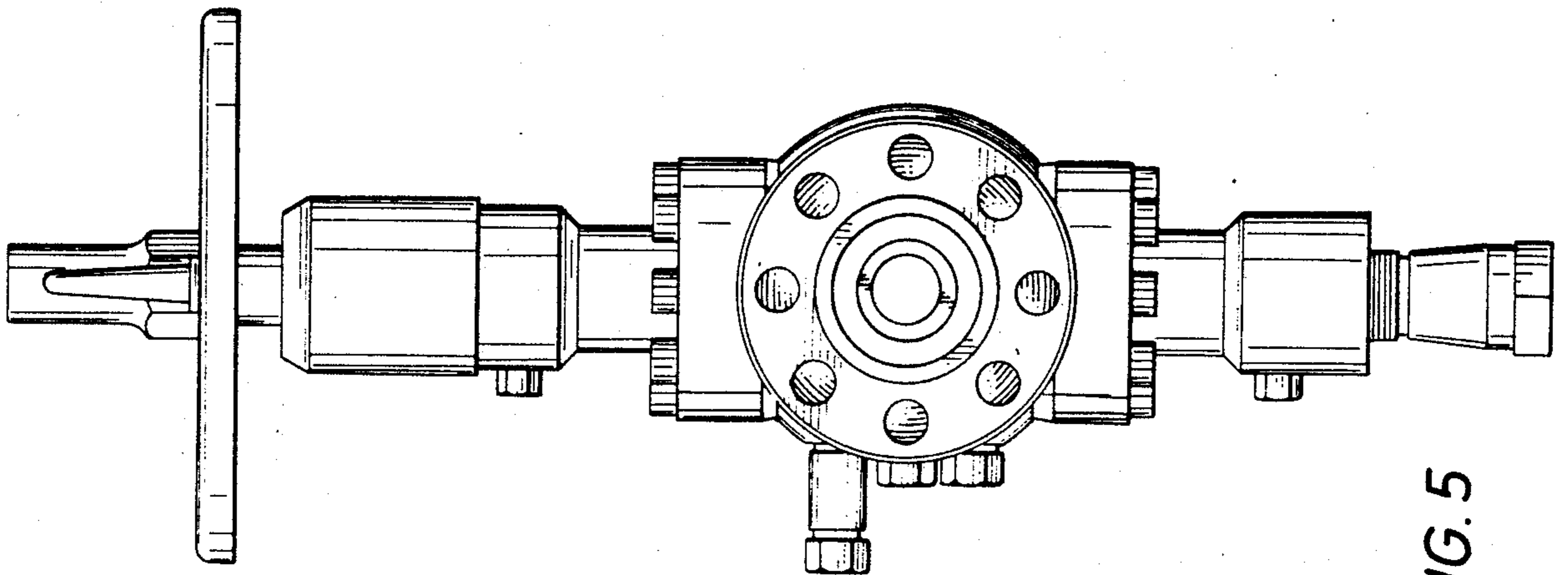


FIG. 5