

[54] AQUARIUM FILTER PUMP

[75] Inventors: Allan H. Willinger, Englewood, N.J.;  
Monte Levin, New York, N.Y.

[73] Assignee: Willinger Bros. Inc., Englewood,  
N.J.

[\*\*] Term: 14 Years

[21] Appl. No.: 710,444

[22] Filed: Mar. 11, 1985

[52] U.S. Cl. .... D23/4

[58] Field of Search ..... D23/1, 3, 4, 149;  
119/5; 210/169

[56] References Cited

U.S. PATENT DOCUMENTS

- D. 205,117 6/1966 Halpert ..... D23/4
- D. 205,582 8/1966 Willinger ..... D23/4

- D. 215,283 9/1969 Sesholz ..... D23/4
- D. 222,619 11/1971 Lovitz ..... D23/4
- 4,512,724 4/1985 Horvath ..... 210/169 X
- 4,615,798 10/1986 O'Dougherty ..... 210/169

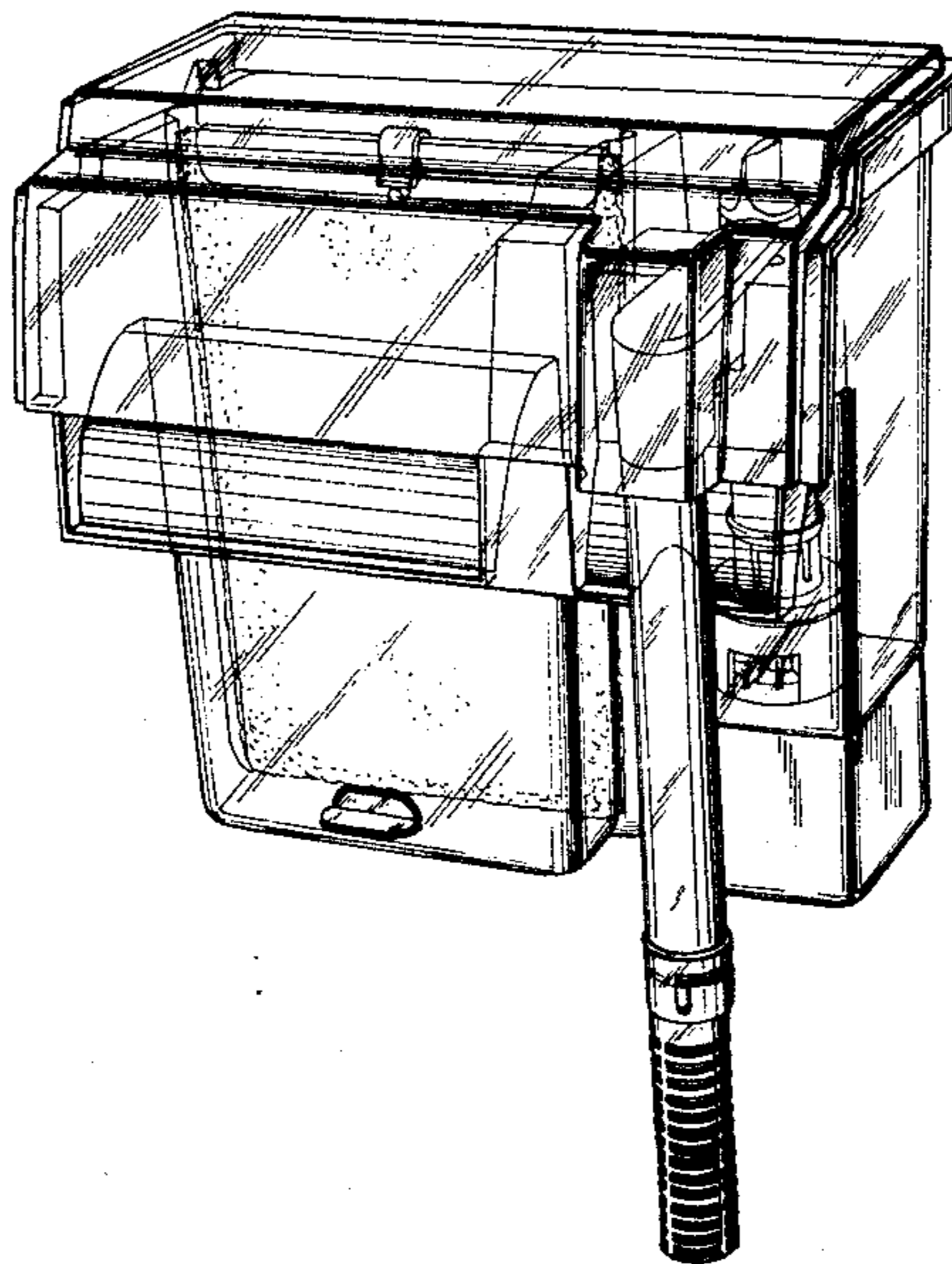
Primary Examiner—Wallace R. Burke  
Assistant Examiner—Brian N. Vinson  
Attorney, Agent, or Firm—Helfgott & Karas

[57] CLAIM

The ornamental design for an aquarium filter pump, substantially as shown.

DESCRIPTION

FIG. 1 is a front perspective view of an aquarium filter pump showing our new design;  
FIG. 2 is a top plan view;  
FIG. 3 is a left side elevational view;  
FIG. 4 is a right side elevational view;  
FIG. 5 is a rear elevational view, and  
FIG. 6 is a bottom plan view thereof.



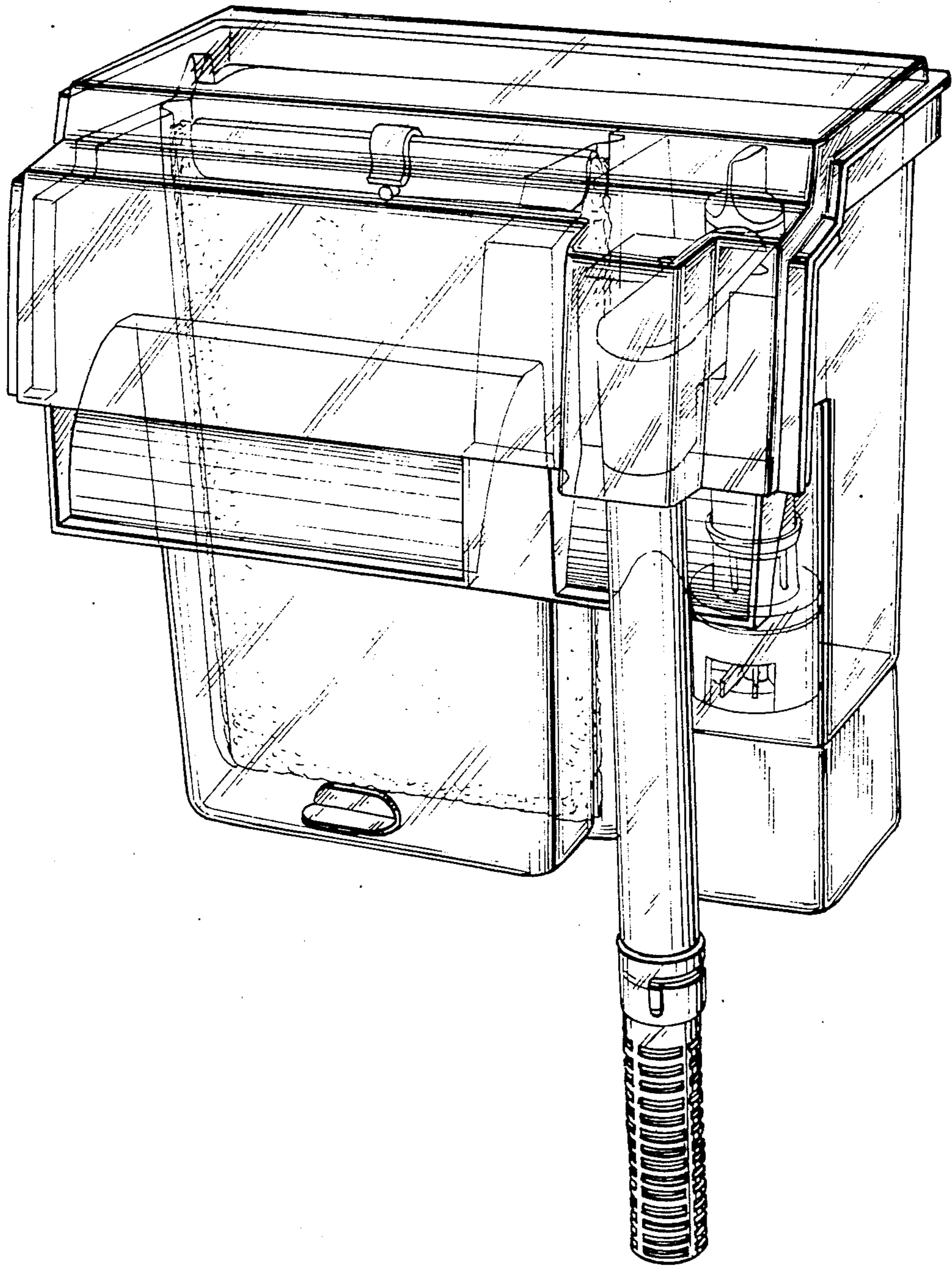


FIG. 1

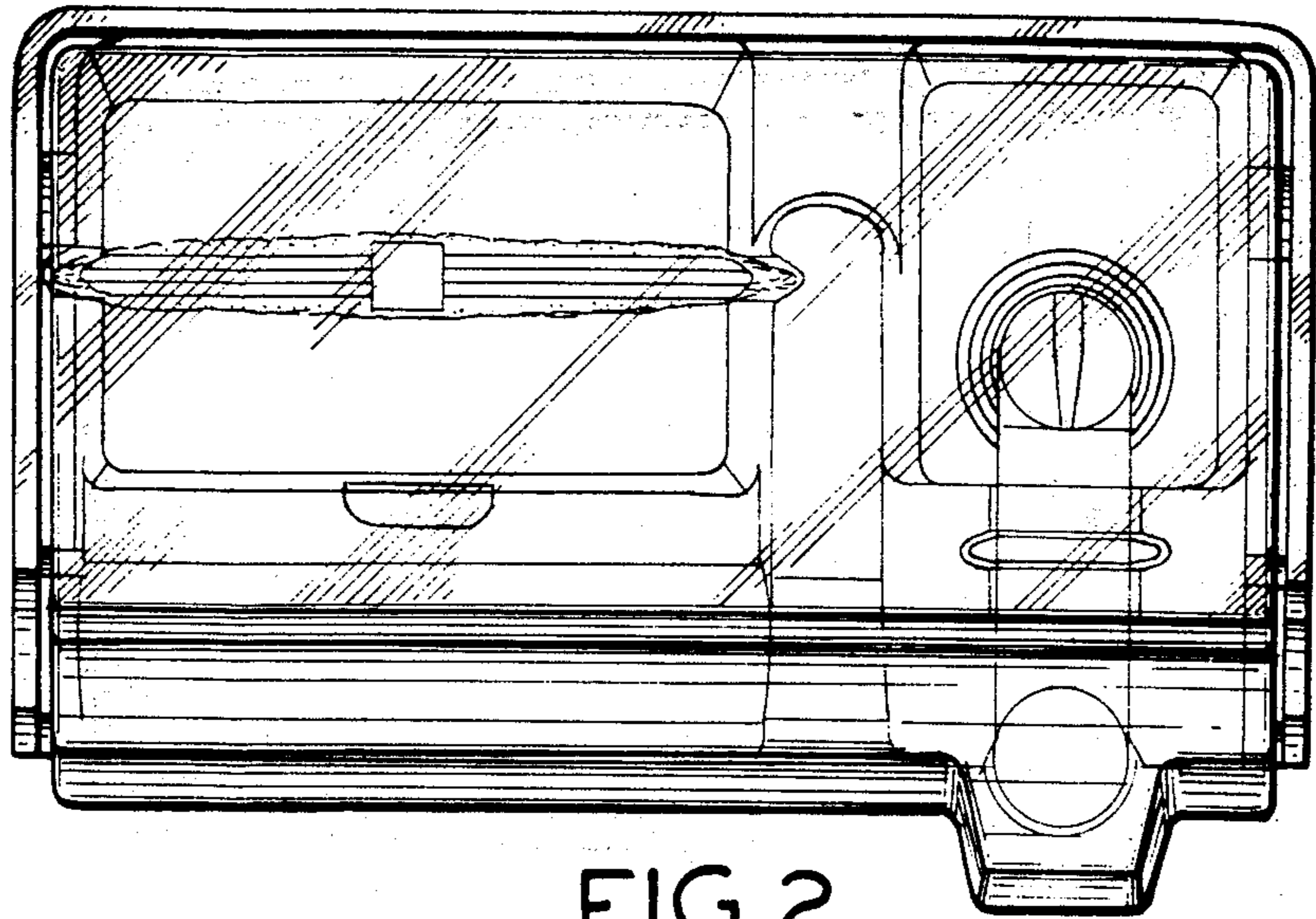


FIG. 2

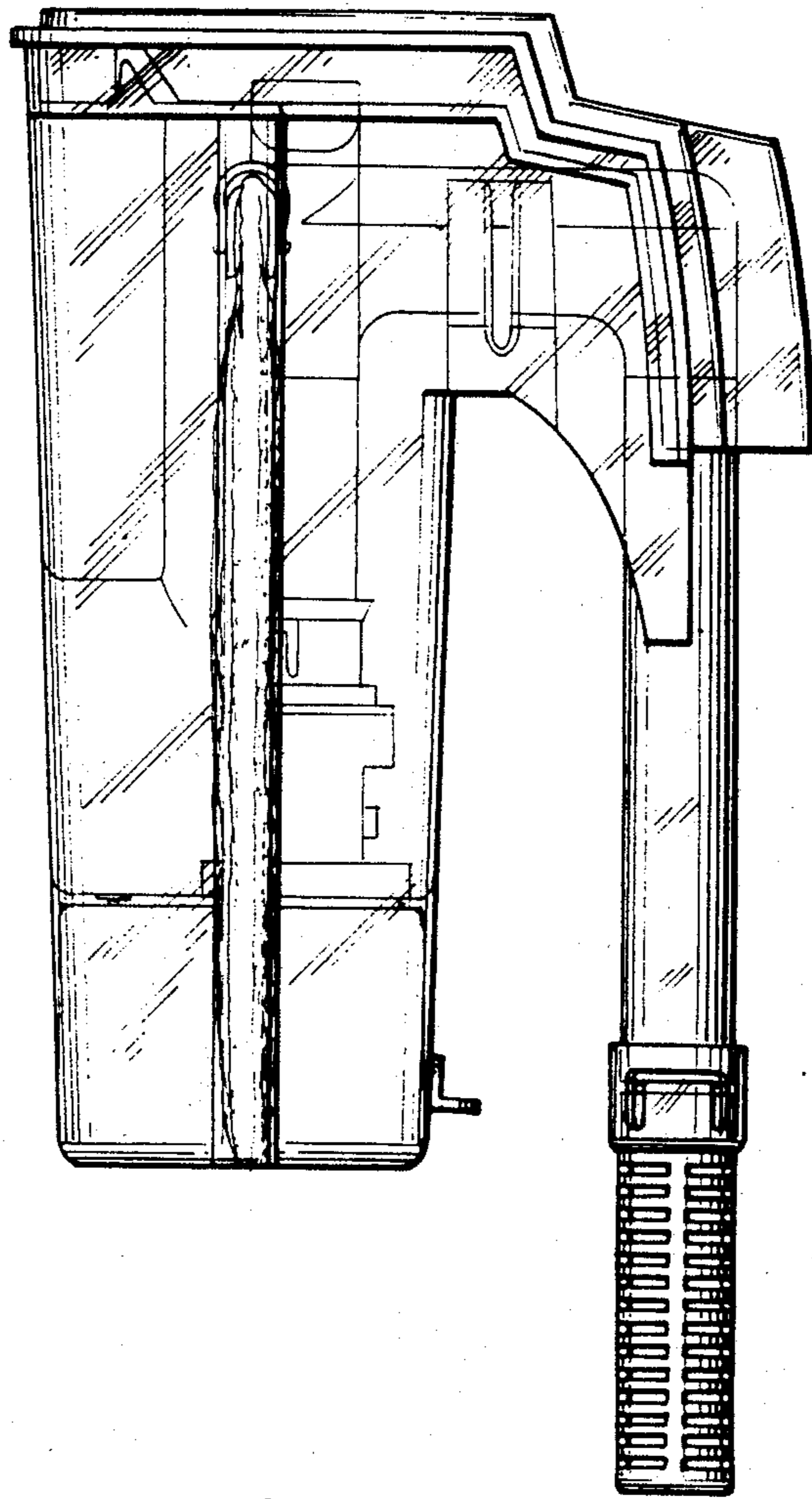


FIG. 3



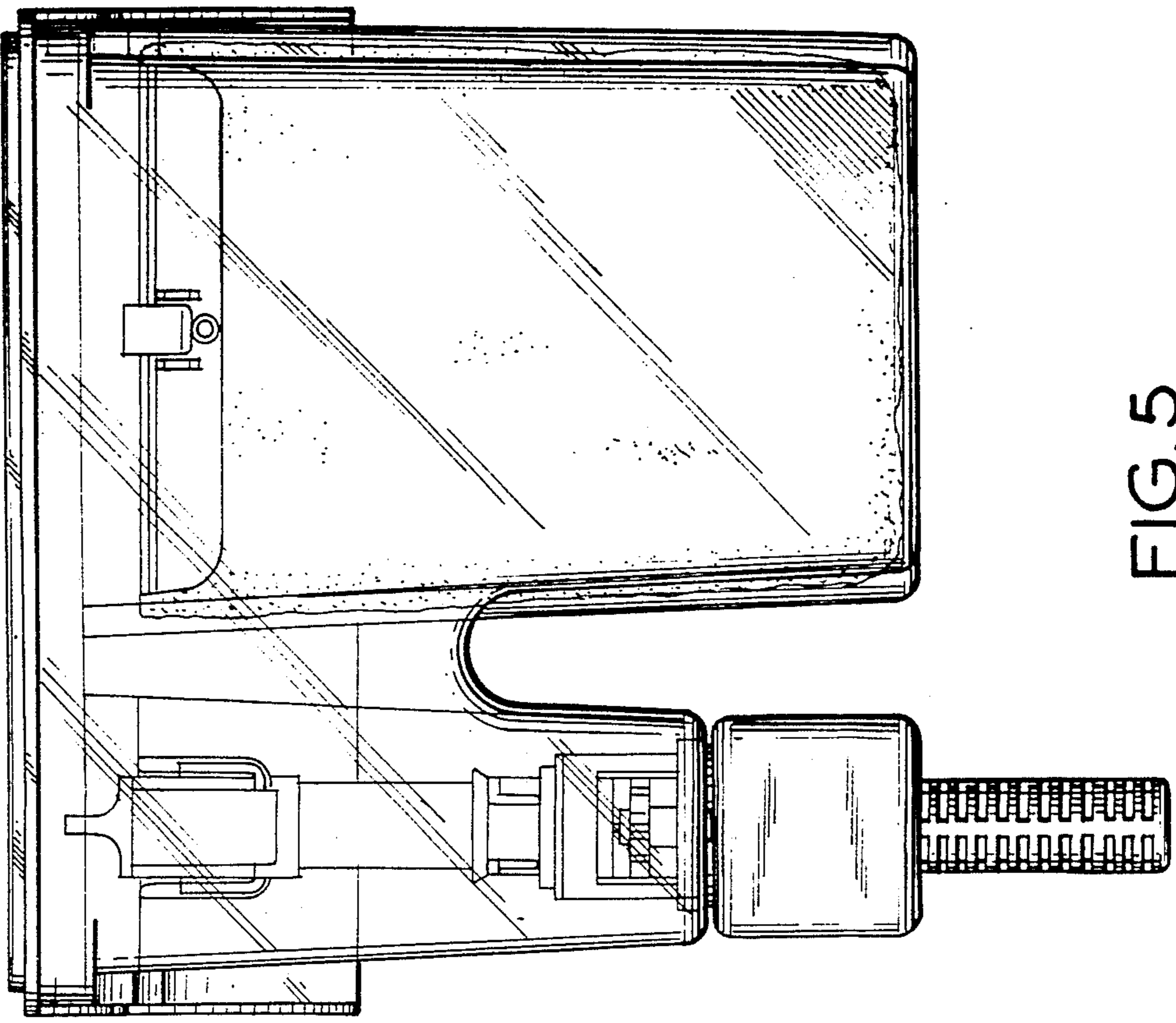


FIG. 5

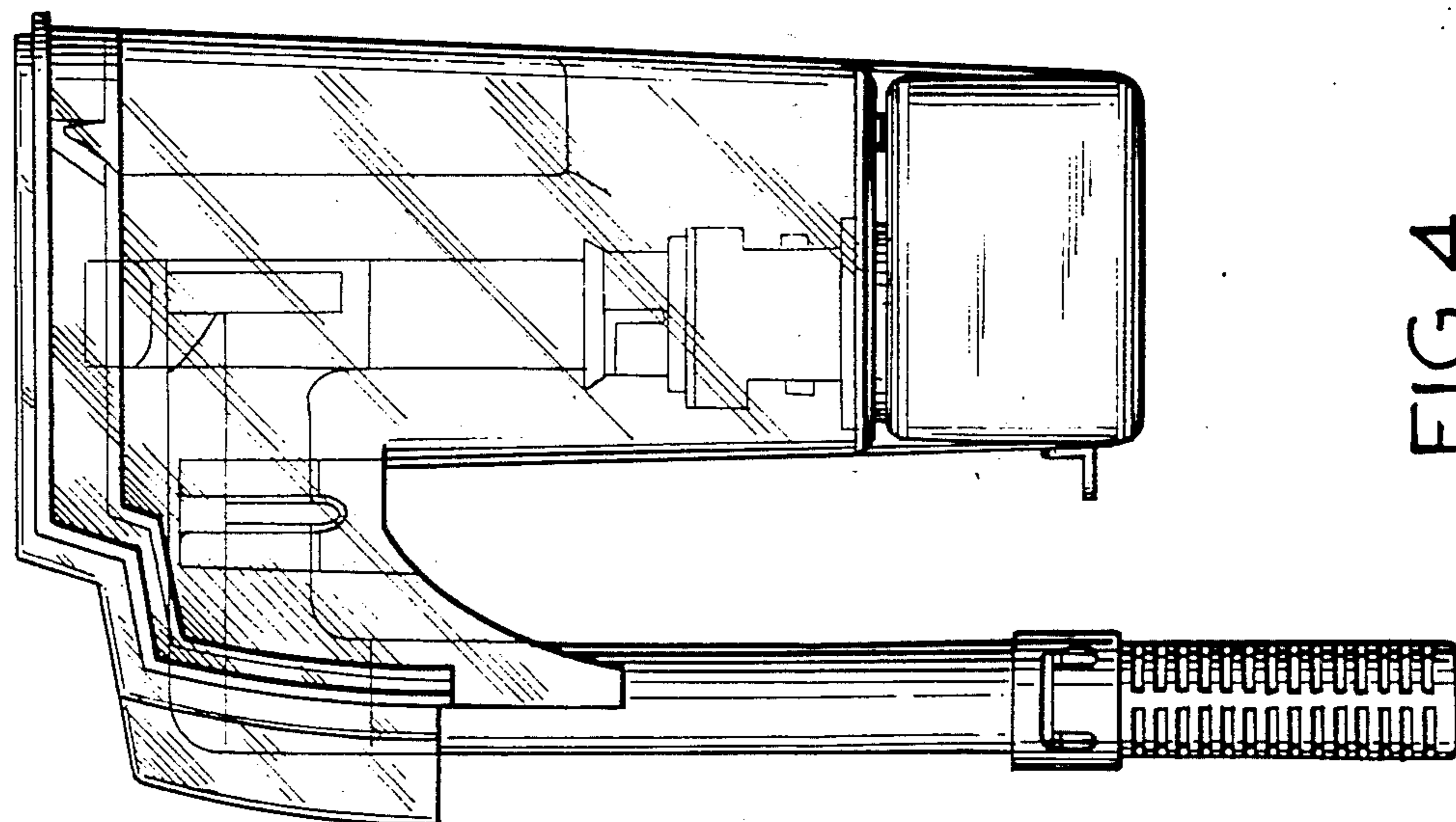


FIG. 4

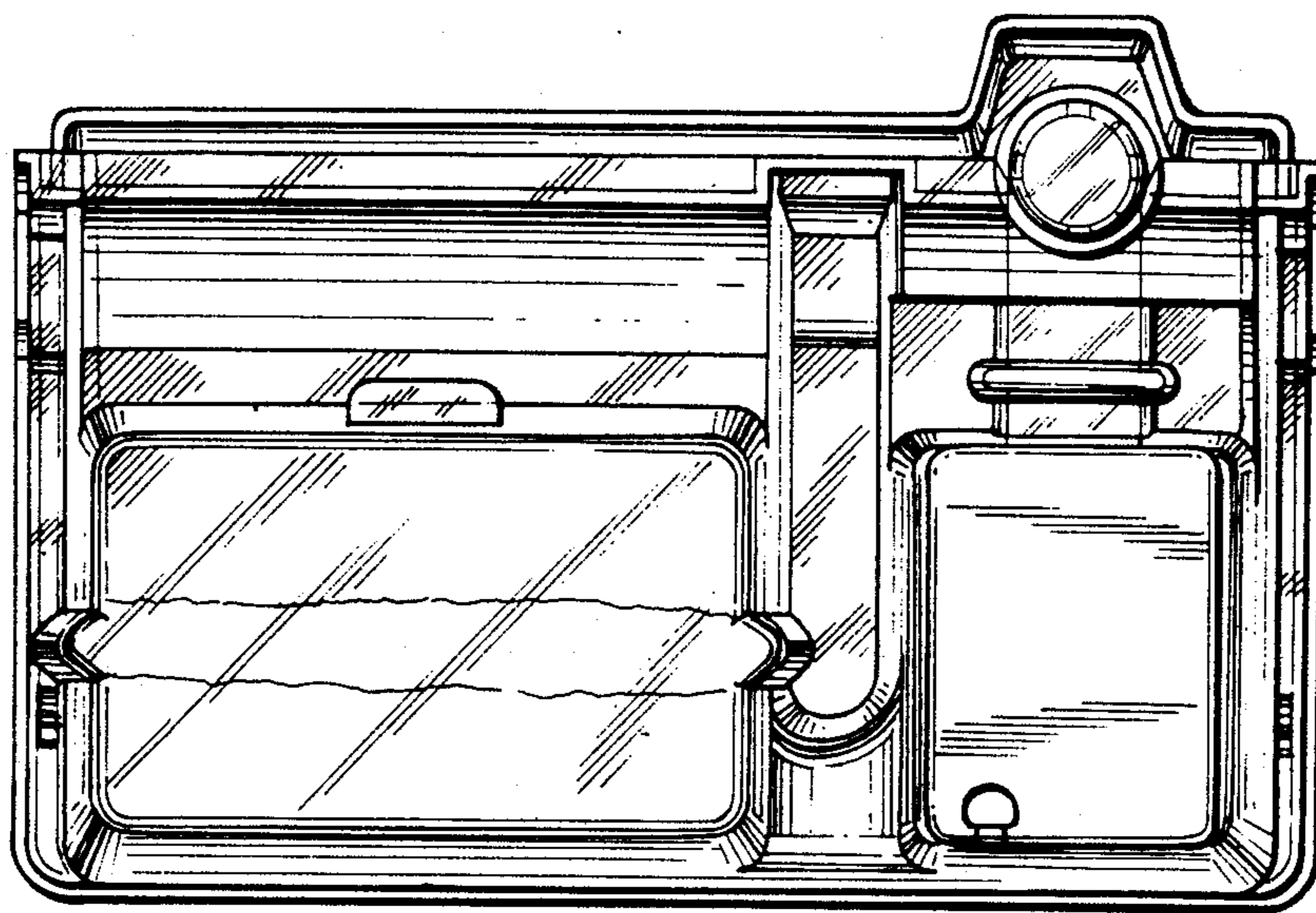


FIG.6