

[54] FAUCET FOR PROTECTING STERILE FLUID SYSTEMS

[75] Inventor: Narbik A. Karamian, Bethesda, Md.

[73] Assignee: Raf-Tan Inc., Bethesda, Md.

[**] Term: 14 Years

[21] Appl. No.: 737,879

[22] Filed: May 28, 1985

[52] U.S. Cl. D23/3

[58] Field of Search D23/1, 3, 4; 137/241; 141/185; 202/160; D24/9; 210/321.1, 433.2, 443-449, 256, 261, 281-282

[56] References Cited

U.S. PATENT DOCUMENTS

- D. 253,066 10/1979 Karamian D23/3
- D. 254,265 2/1980 Karamian D23/3

- D. 254,441 3/1980 Lemoine D23/3
- D. 266,347 9/1982 Karamian D23/3
- 2,888,028 5/1959 Hill 137/241 X

Primary Examiner—Wallace R. Burke
Assistant Examiner—Brian N. Vinson
Attorney, Agent, or Firm—Joseph P. Nigon

[57] CLAIM

The ornamental design for the faucet for protecting sterile fluid systems, as shown and described.

DESCRIPTION

FIG. 1 is a front elevational view of a faucet for protecting sterile fluid systems showing my new design; FIG. 2 is a left side elevational view thereof; FIG. 3 is a top plan view thereof; FIG. 4 is a right side elevational view thereof; FIG. 5 is a bottom plan view thereof; and FIG. 6 is a rear elevational view thereof.

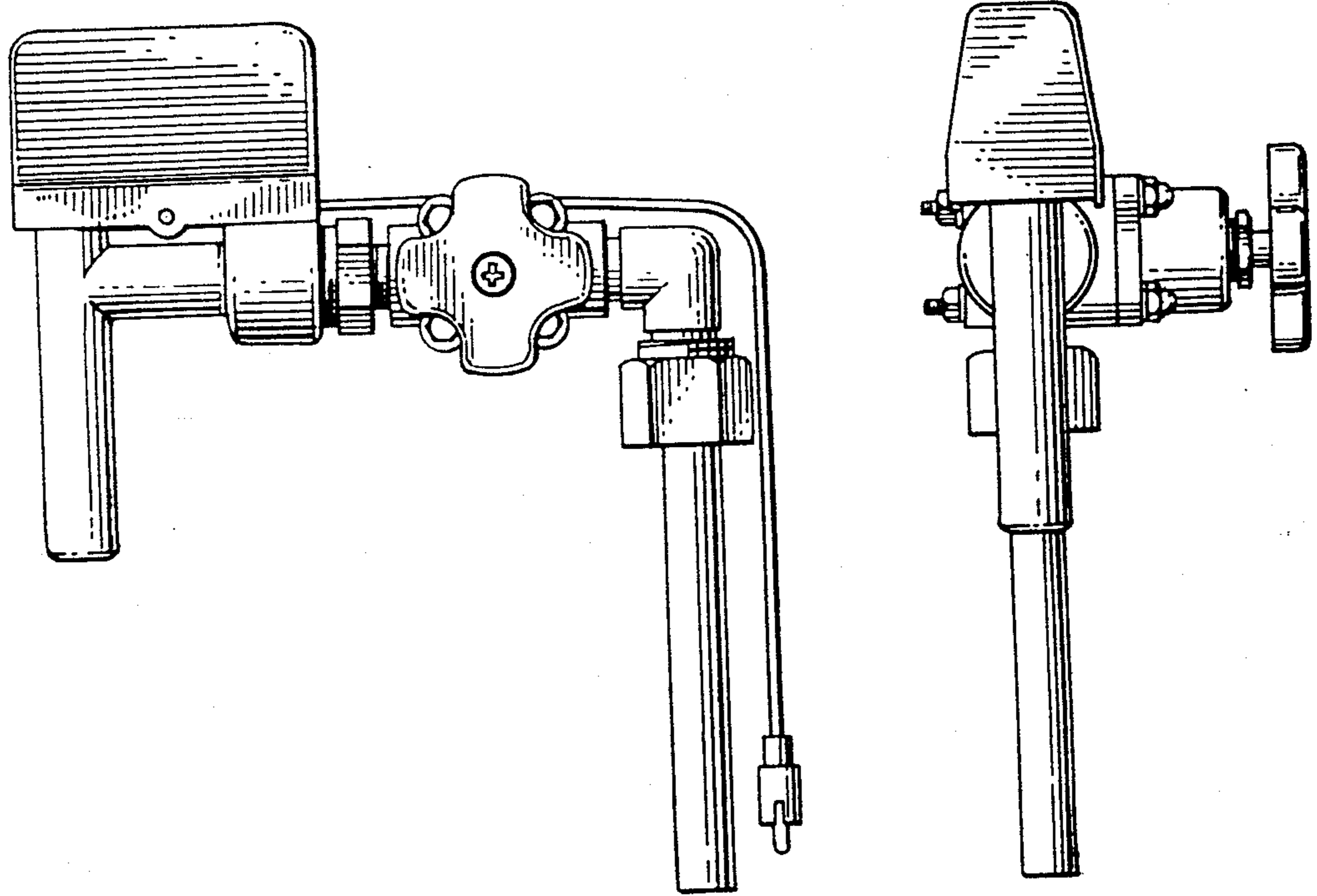


FIG. 1.

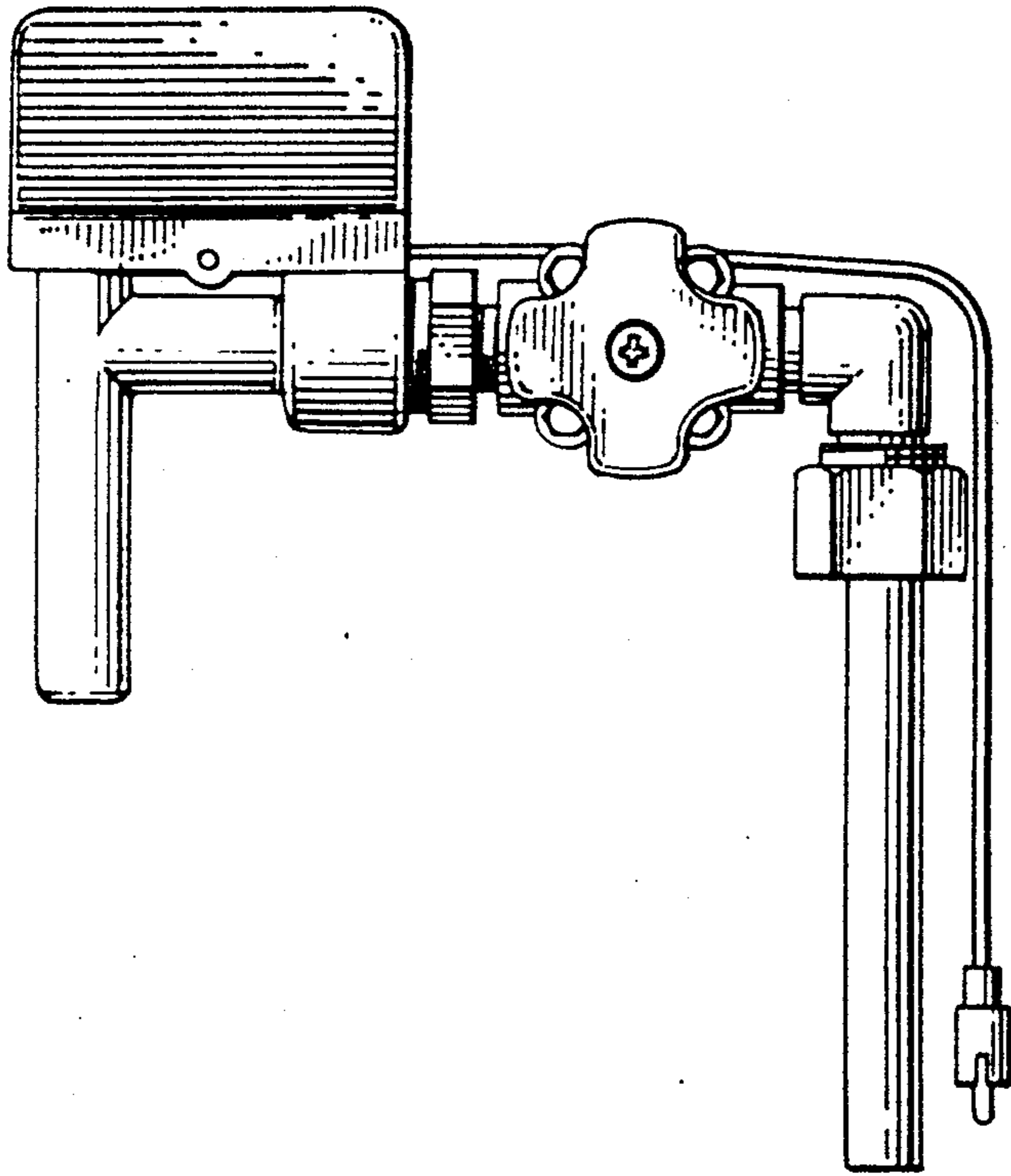


FIG. 2.

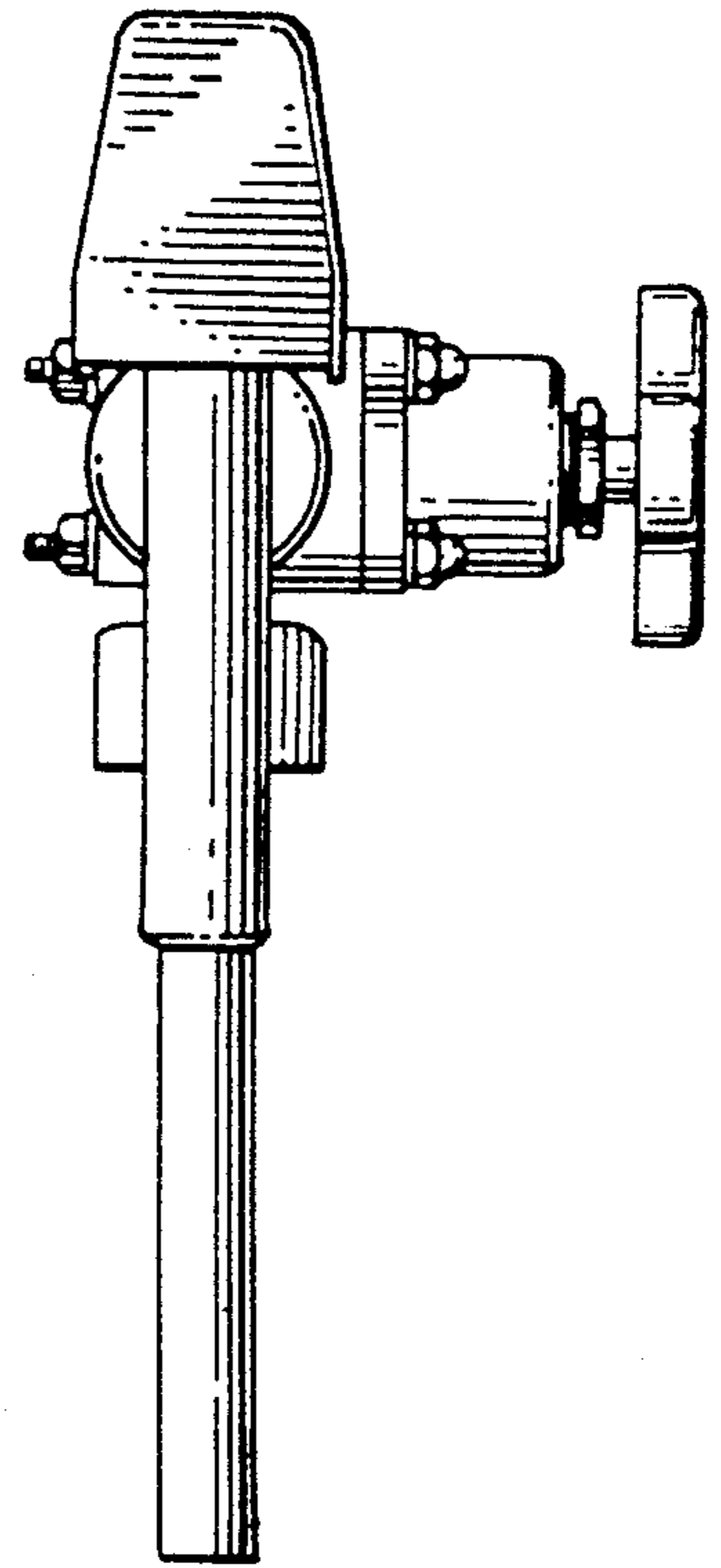


FIG. 3.

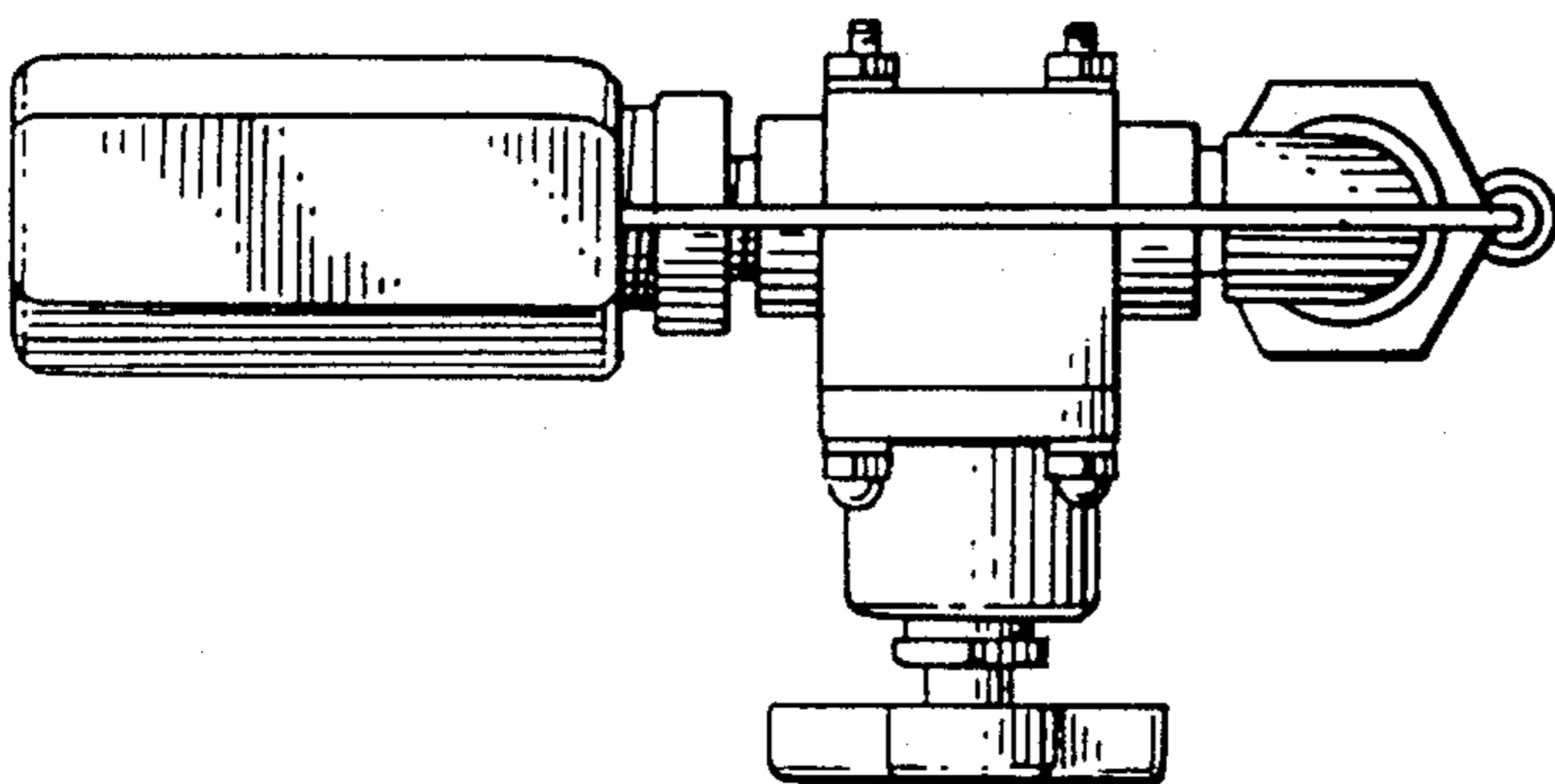


FIG. 4.

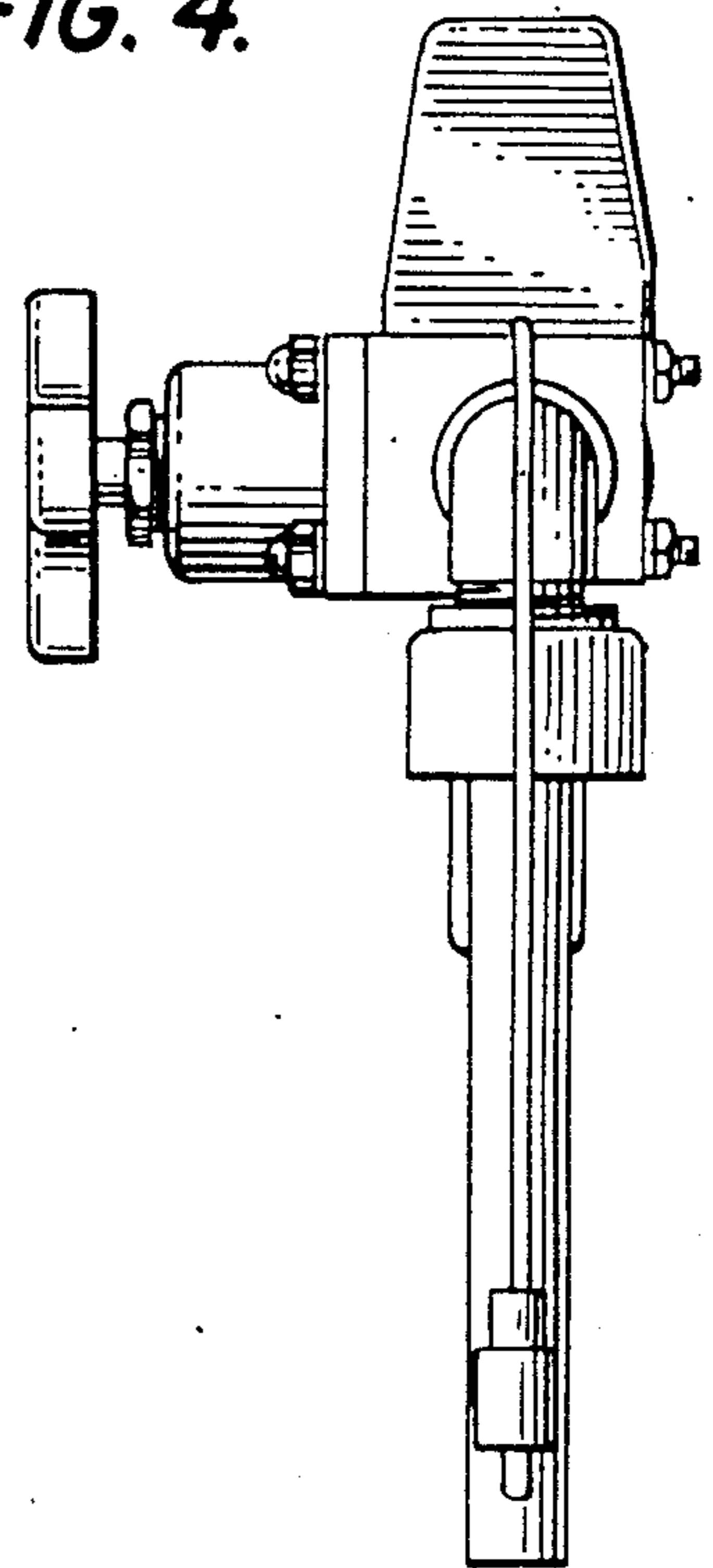


FIG. 5.

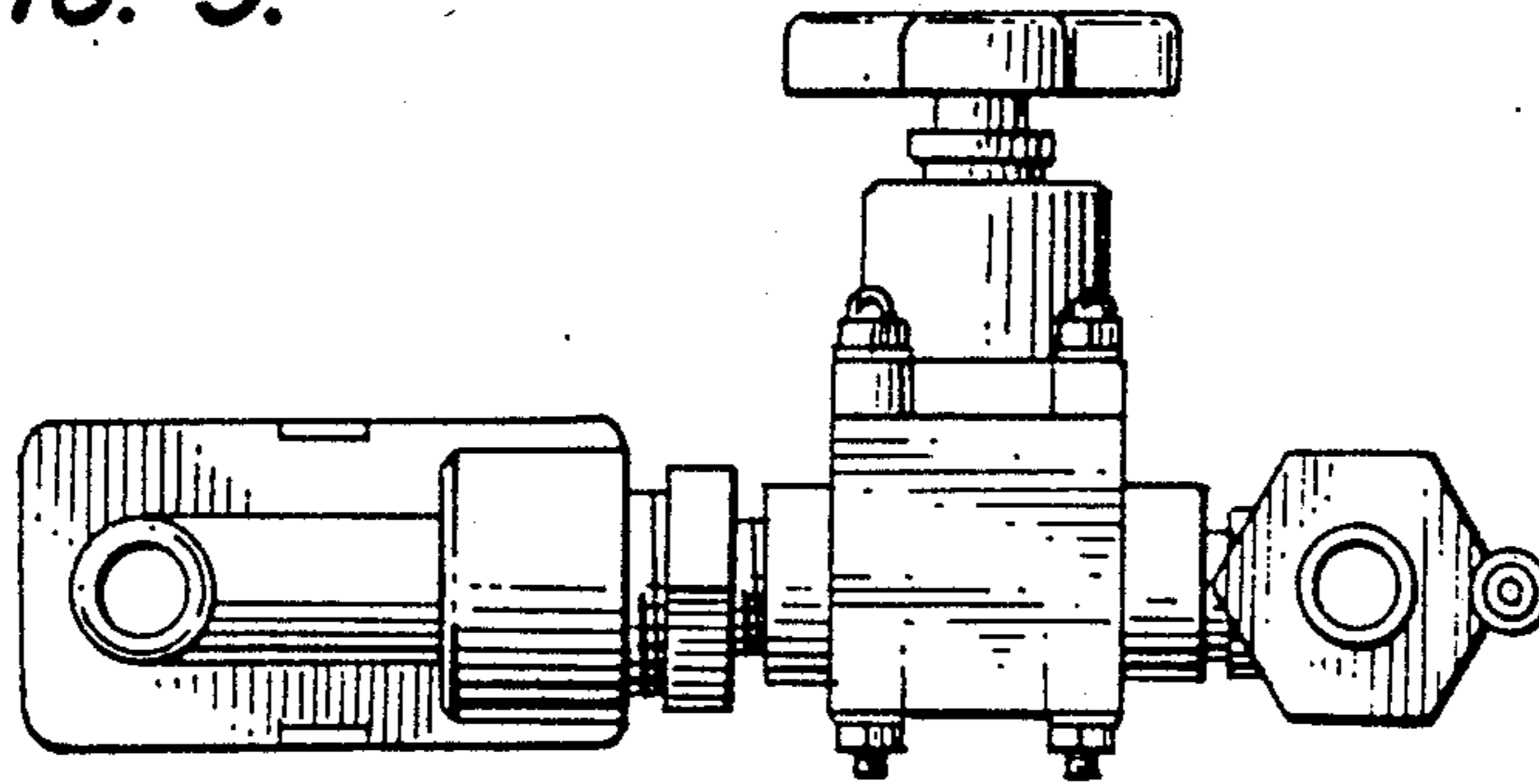


FIG. 6.

