

[54] OCCUPANT PROPELLED AMUSEMENT DEVICE

1,783,586 12/1930 Dos Santos 272/33 R
2,101,719 12/1937 Niebuhr 272/33 R

[76] Inventor: Gerald A. Spencer, 1914 York, Independence, Mo. 64058

FOREIGN PATENT DOCUMENTS

2255315 5/1974 Fed. Rep. of Germany 272/33 R

[**] Term: 14 Years

Primary Examiner—Melvin B. Feifer
Attorney, Agent, or Firm—Don E. Ferrell

[21] Appl. No.: 700,668

[57] CLAIM

[22] Filed: Feb. 11, 1985

The ornamental design for an occupant propelled amusement device, as shown and described.

[52] U.S. Cl. D21/249

[58] Field of Search D21/249, 251; 272/33 R, 272/30

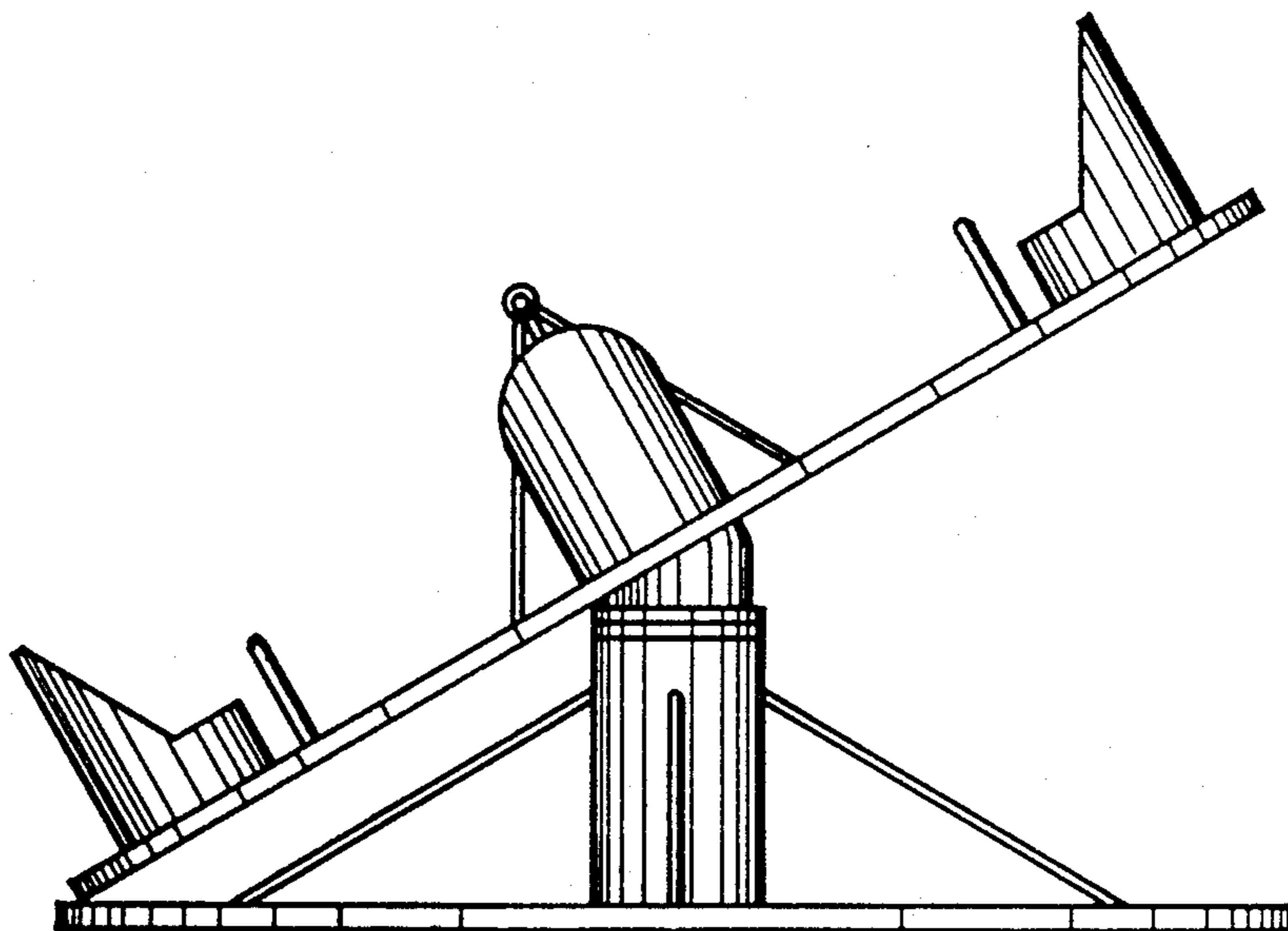
DESCRIPTION

[56] References Cited

U.S. PATENT DOCUMENTS

1,121,768 12/1914 Sifferman 272/33 R
1,368,132 2/1921 Gavlak 272/33 R

FIG. 1 is a side elevation view of an occupant propelled amusement device showing my new design the opposite side is a mirror image thereof;
FIG. 2 is a top plan view thereof; and
FIG. 3 is a bottom plan view thereof.



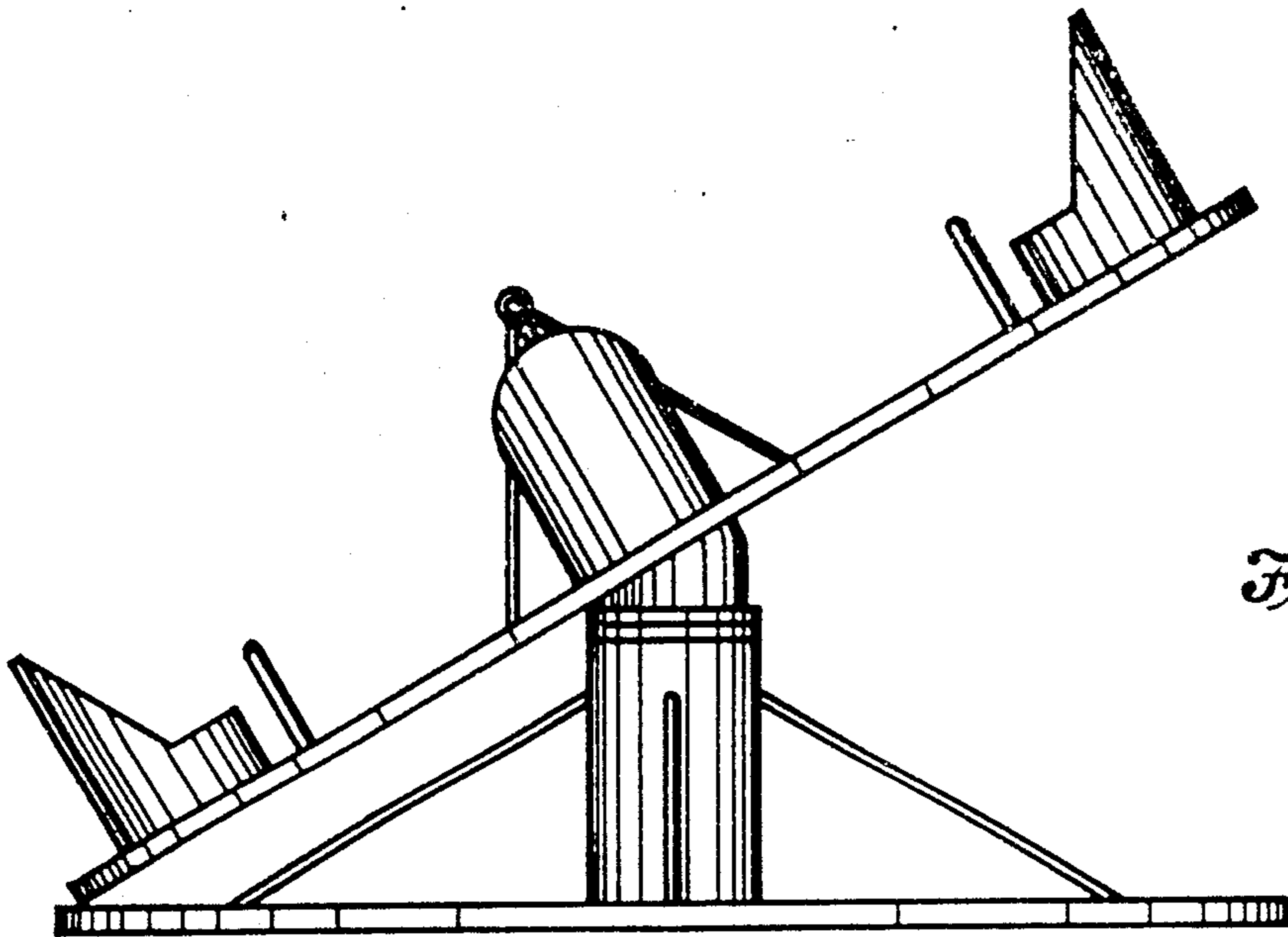


Fig. 1

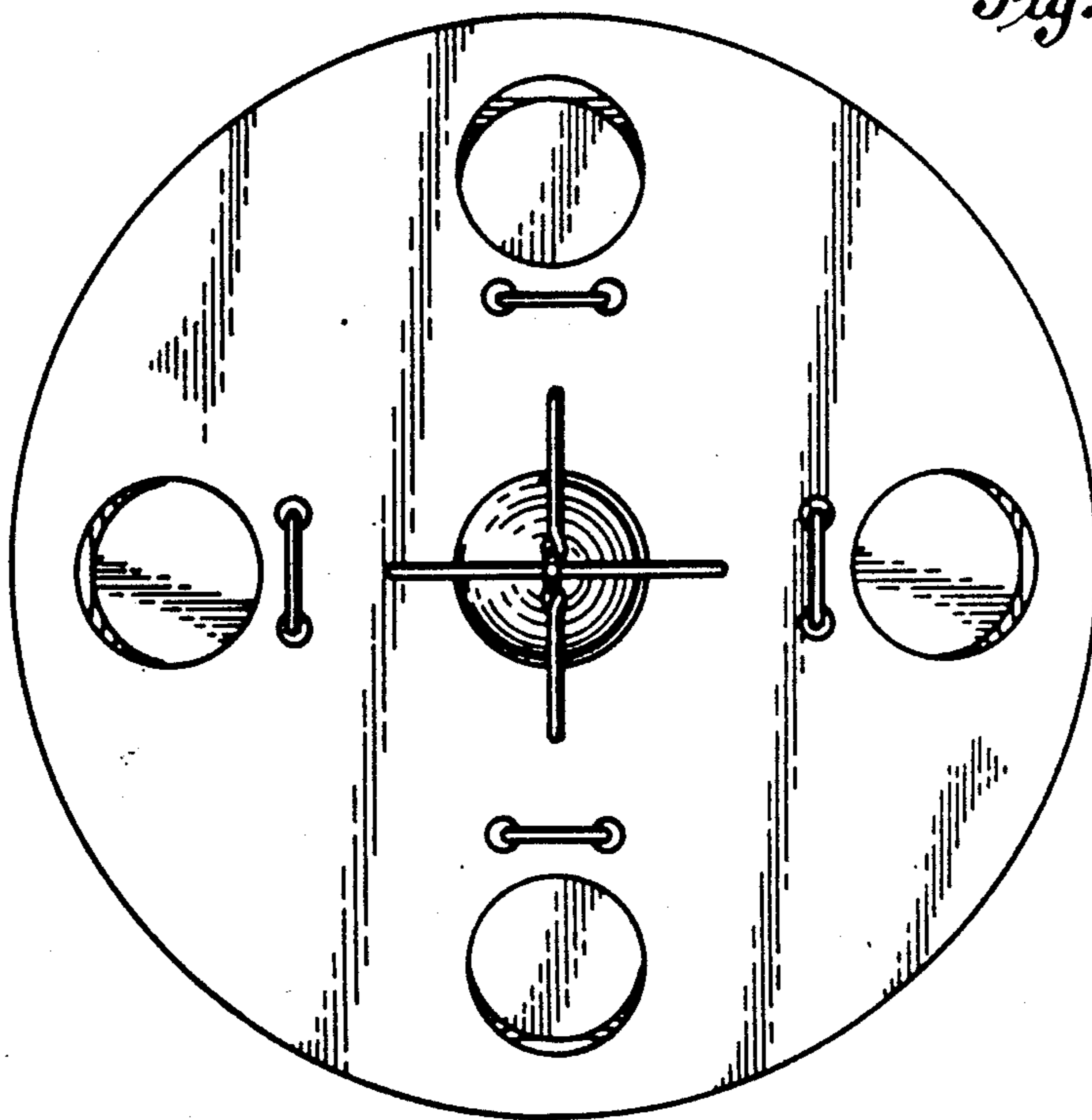


Fig. 2

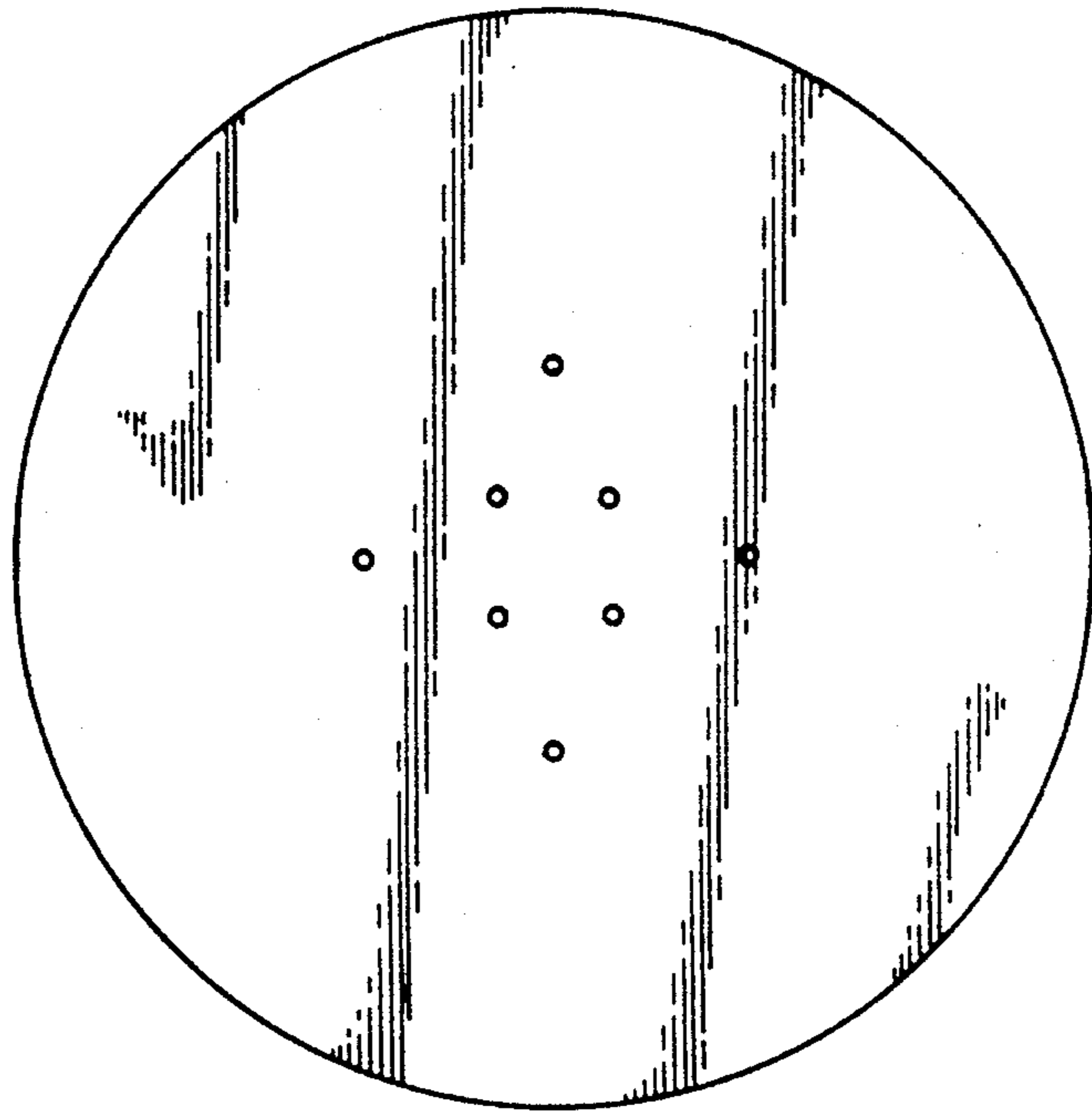


Fig. 3