

[54] KICKING TEE

[56]

References Cited

U.S. PATENT DOCUMENTS

[75] Inventor: H. Jay Spiegel, Alexandria, Va.

- D. 231,003 3/1974 Ponder D21/209
- D. 275,303 8/1984 Box, Sr. D21/209
- 4,049,267 9/1977 Forrest 273/55 B

[73] Assignee: Premium Products, Inc., Alexandria, Va.

Primary Examiner—Melvin B. Feifer
Attorney, Agent, or Firm—H. Jay Spiegel

[**] Term: 14 Years

[57]

CLAIM

The ornamental design for a kicking tee, substantially as shown and described.

[21] Appl. No.: 726,795

DESCRIPTION

[22] Filed: Apr. 24, 1985

FIG. 1 is a top view of a kicking tee showing my new design.

[52] U.S. Cl. D21/209

FIG. 2 is a bottom view.

[58] Field of Search D21/209; 273/55 B

FIG. 3 is a perspective view.

FIG. 4 is a perspective view of a modified tee.

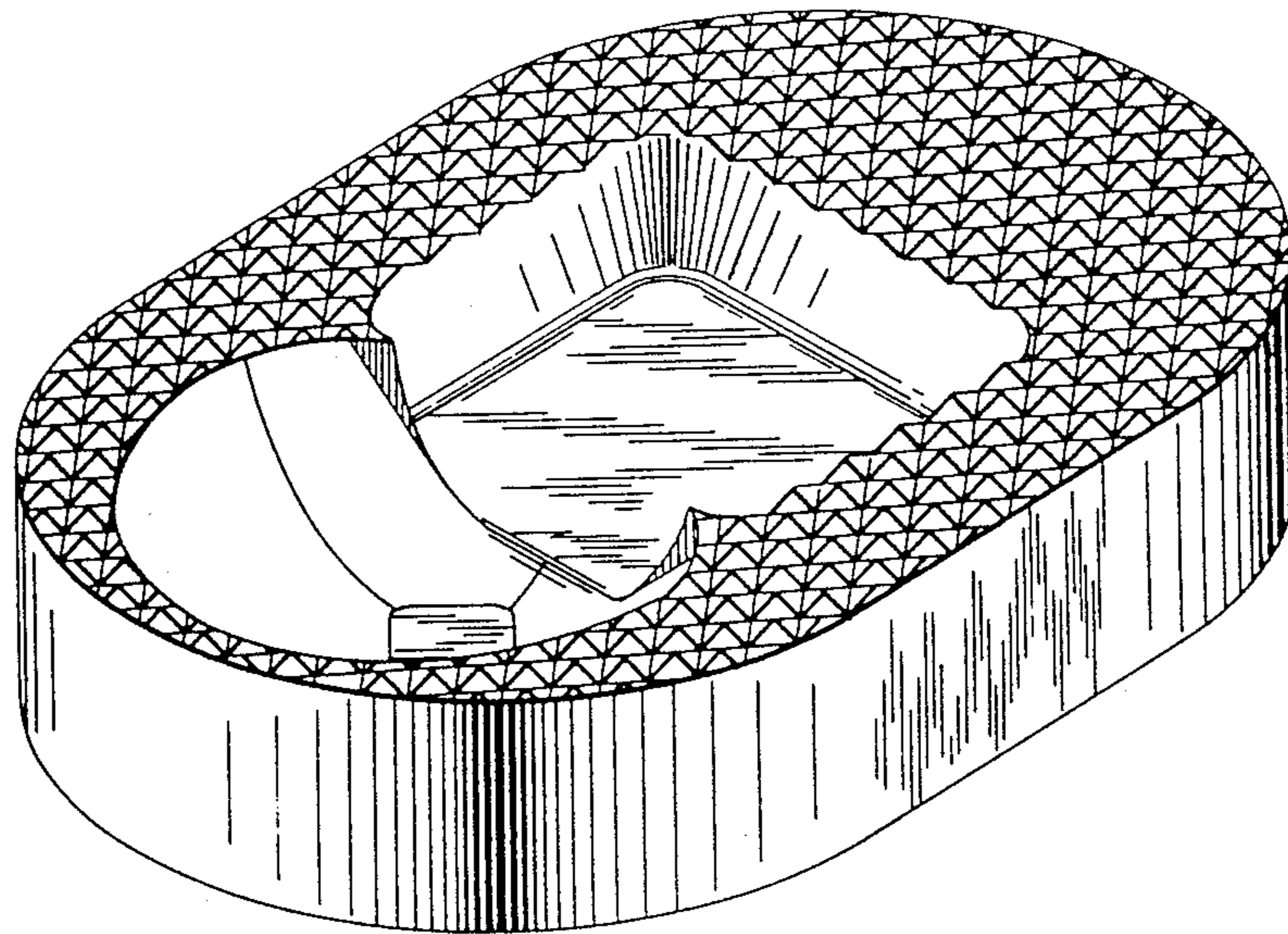


Fig. 1

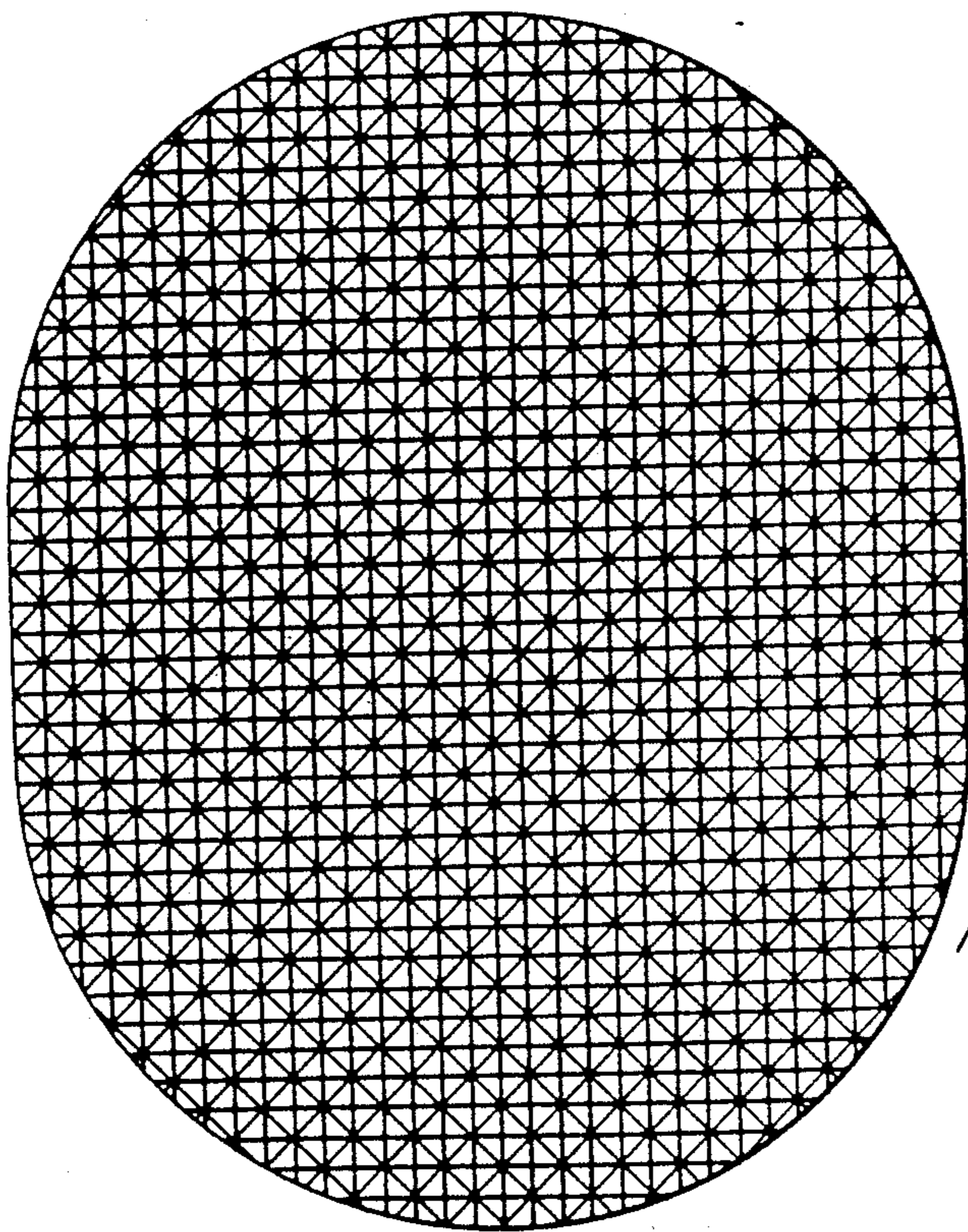
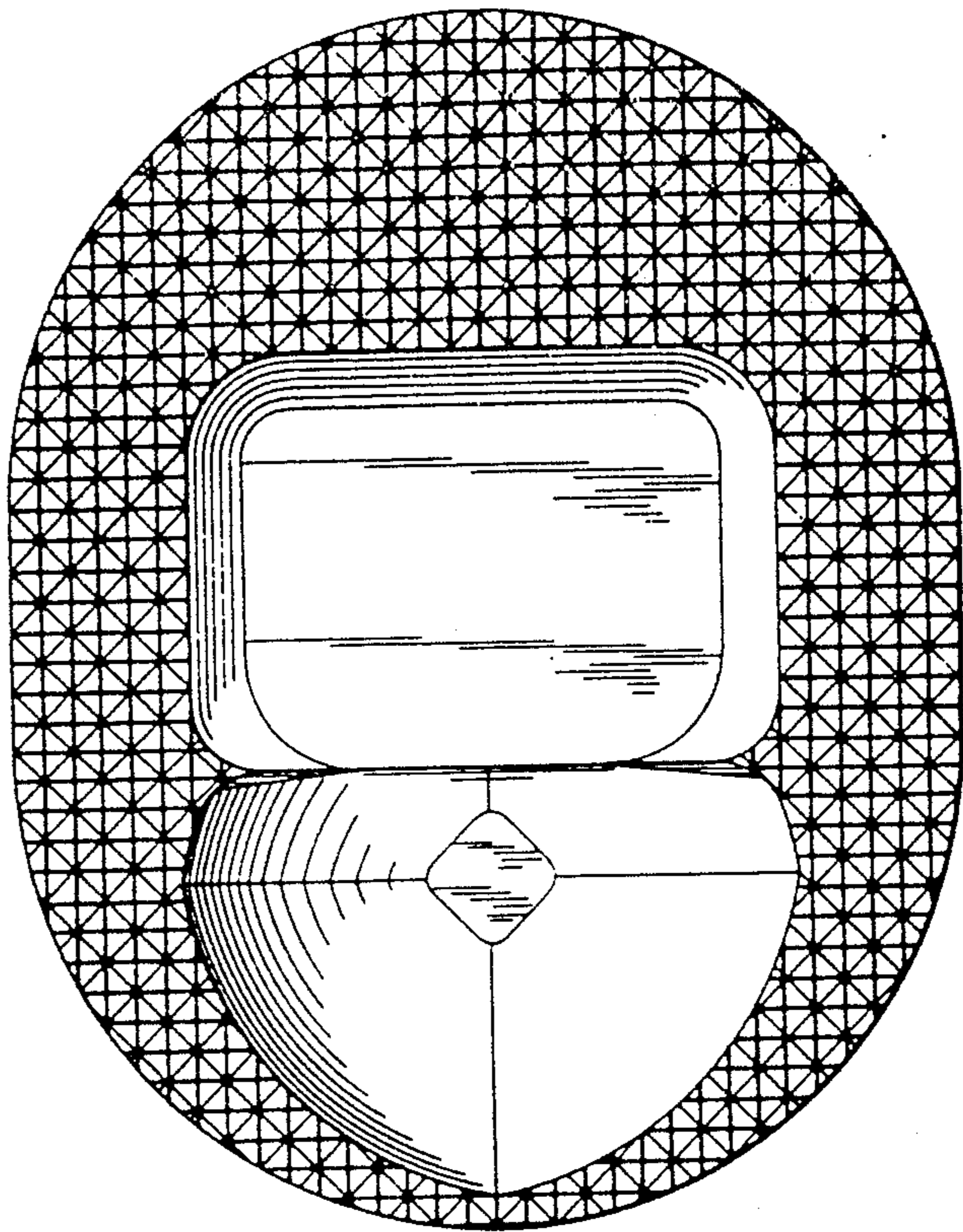


Fig. 2

Fig. 3

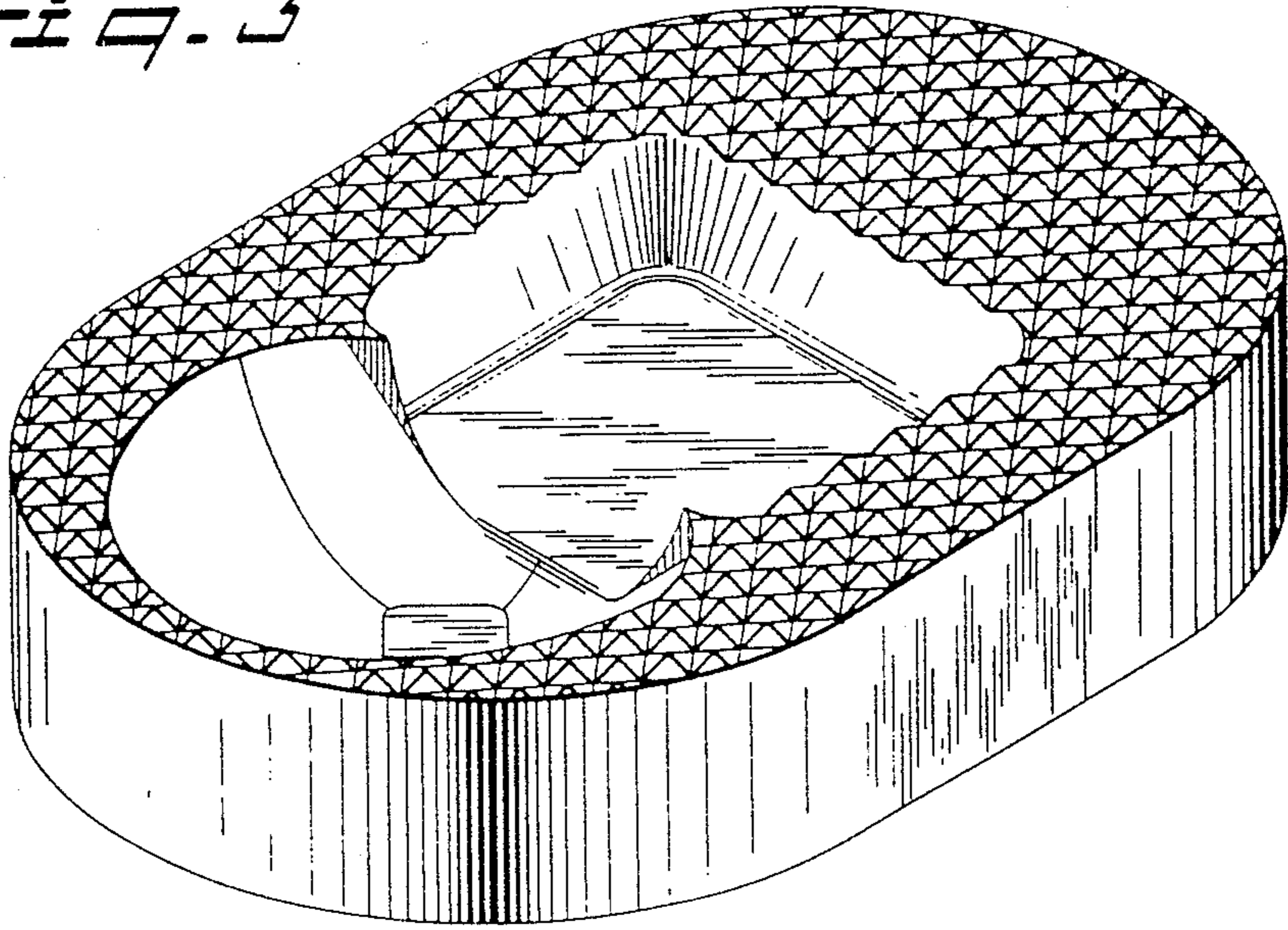


Fig. 4

