

[54] ERGOMETER

[75] Inventor: Heikki Kiiski, Turku 10, Finland

[73] Assignee: Tunturipyora OY, Truku. Finland

[**] Term: 14 Years

[21] Appl. No.: 703,408

[22] Filed: Feb. 20, 1985

[30] Foreign Application Priority Data

Sep. 4, 1984 [FI] Finland 850/84

[52] U.S. Cl. D21/195

[58] Field of Search D21/191-199;
272/70.3, 73, 182, DIG. 6; 73/379

[56] References Cited

U.S. PATENT DOCUMENTS

- D. 275,589 9/1984 Gustafsson D21/194
- D. 280,003 8/1985 Kiiski D21/194
- D. 280,923 10/1985 Smith et al. D21/194
- D. 281,520 11/1985 Kiiski D21/194

- D. 285,816 9/1986 Bertsson D21/194
- D. 285,953 9/1986 Gustafsson D21/194

OTHER PUBLICATIONS

Sporting Goods Dealer, 8-1982, p. 62, Universal Fitness Exercise Bikes.

Primary Examiner—Charles A. Rademaker
Attorney, Agent, or Firm—Fleit, Jacobson, Cohn, & Price

[57] CLAIM

The ornamental design for ergometer, as shown and described.

DESCRIPTION

FIG. 1 is a right side perspective view of an ergometer showing my new design;

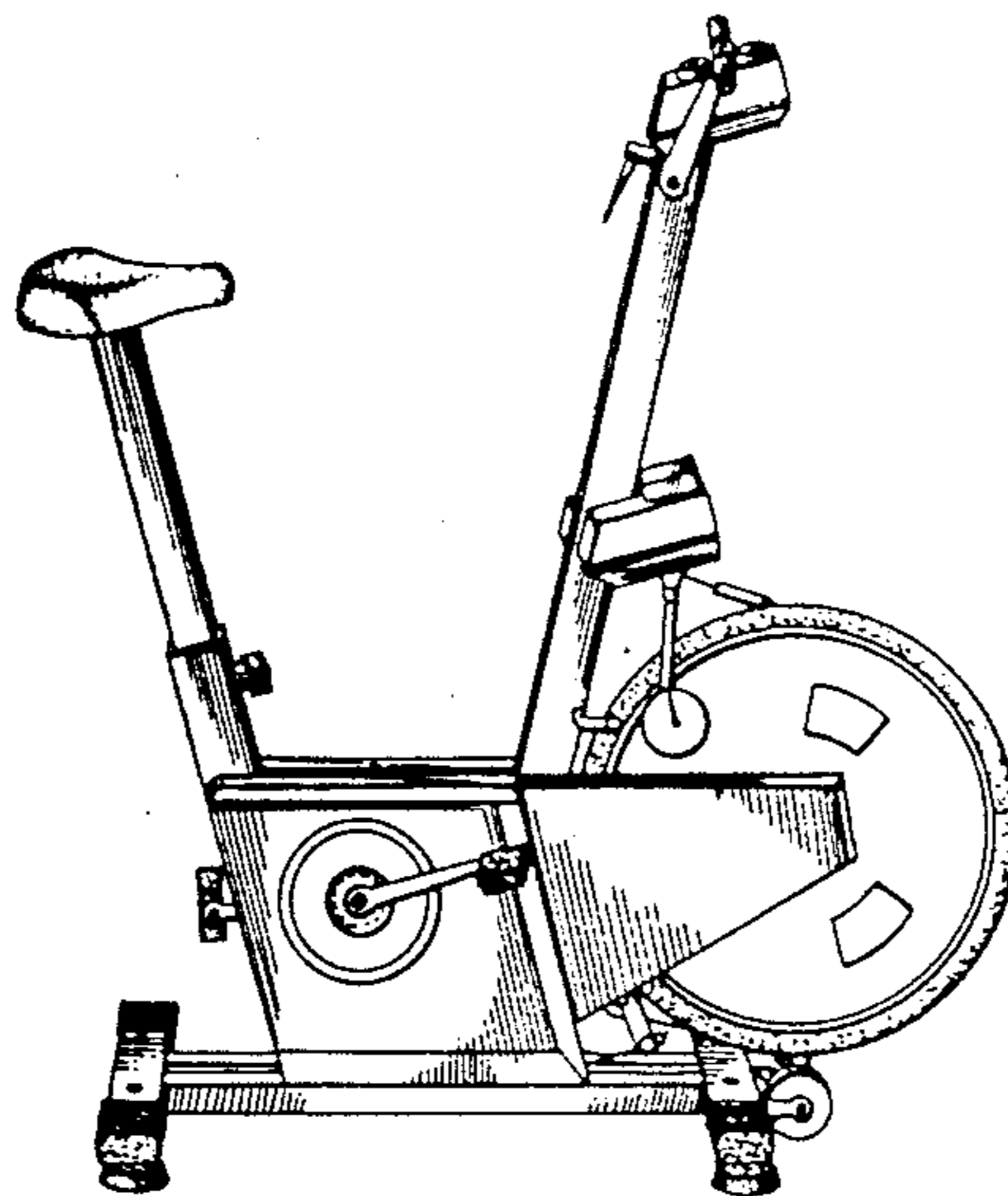
FIG. 2 is a left side perspective view thereof;

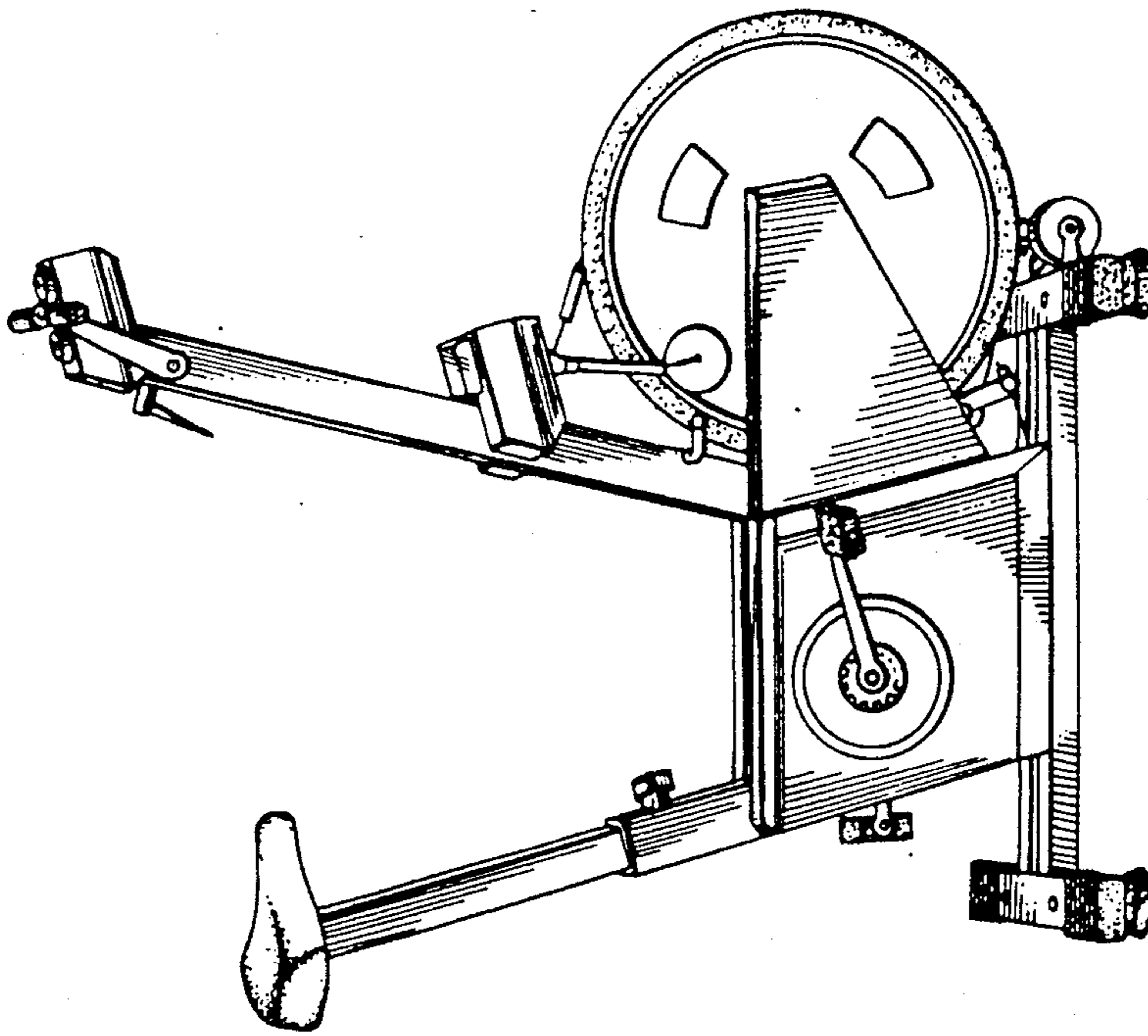
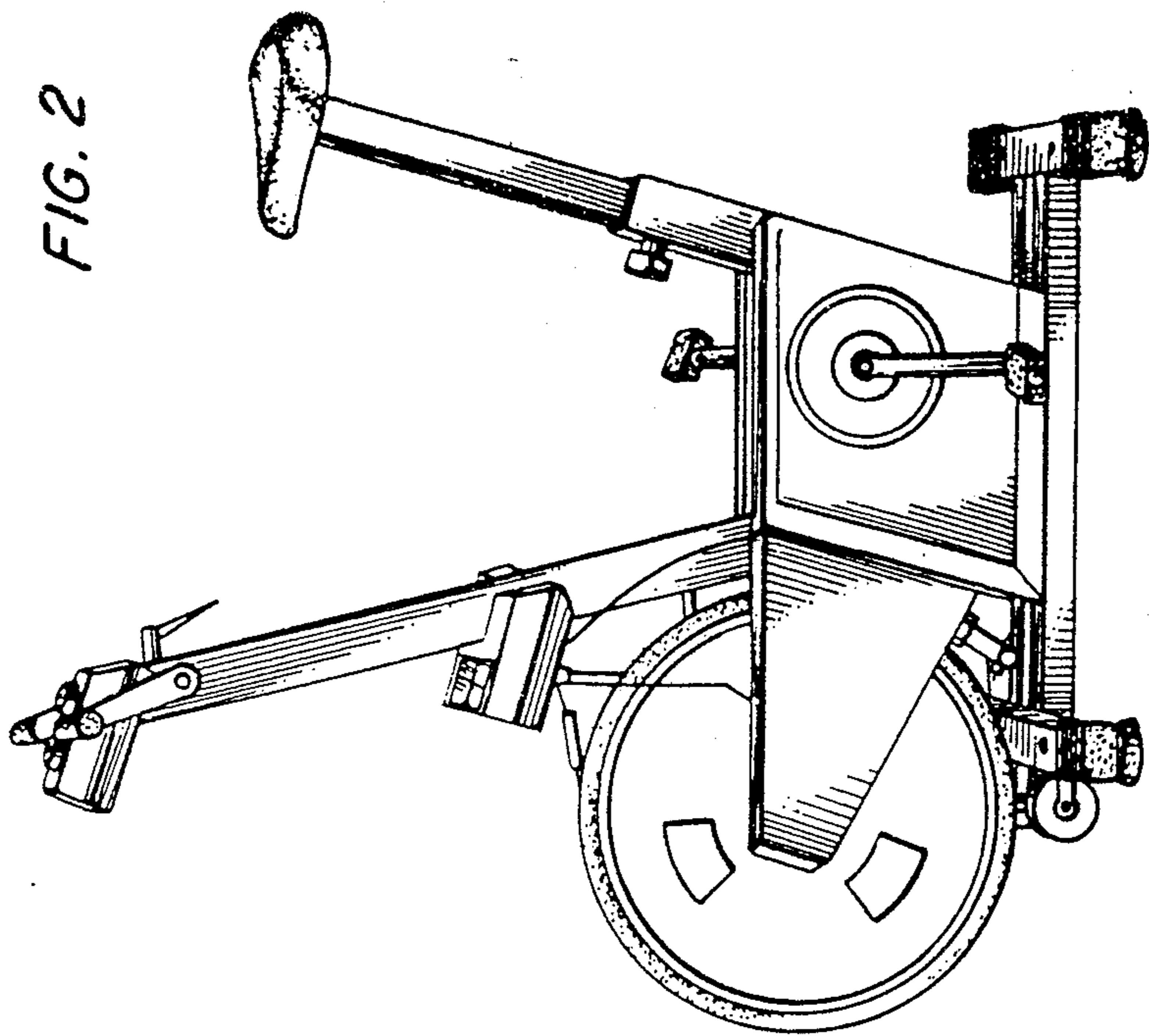
FIG. 3 is a rear perspective view thereof;

FIG. 4 is a top perspective view thereof;

FIG. 5 is a rear perspective view thereof; and,

FIG. 6 is a bottom perspective view thereof.





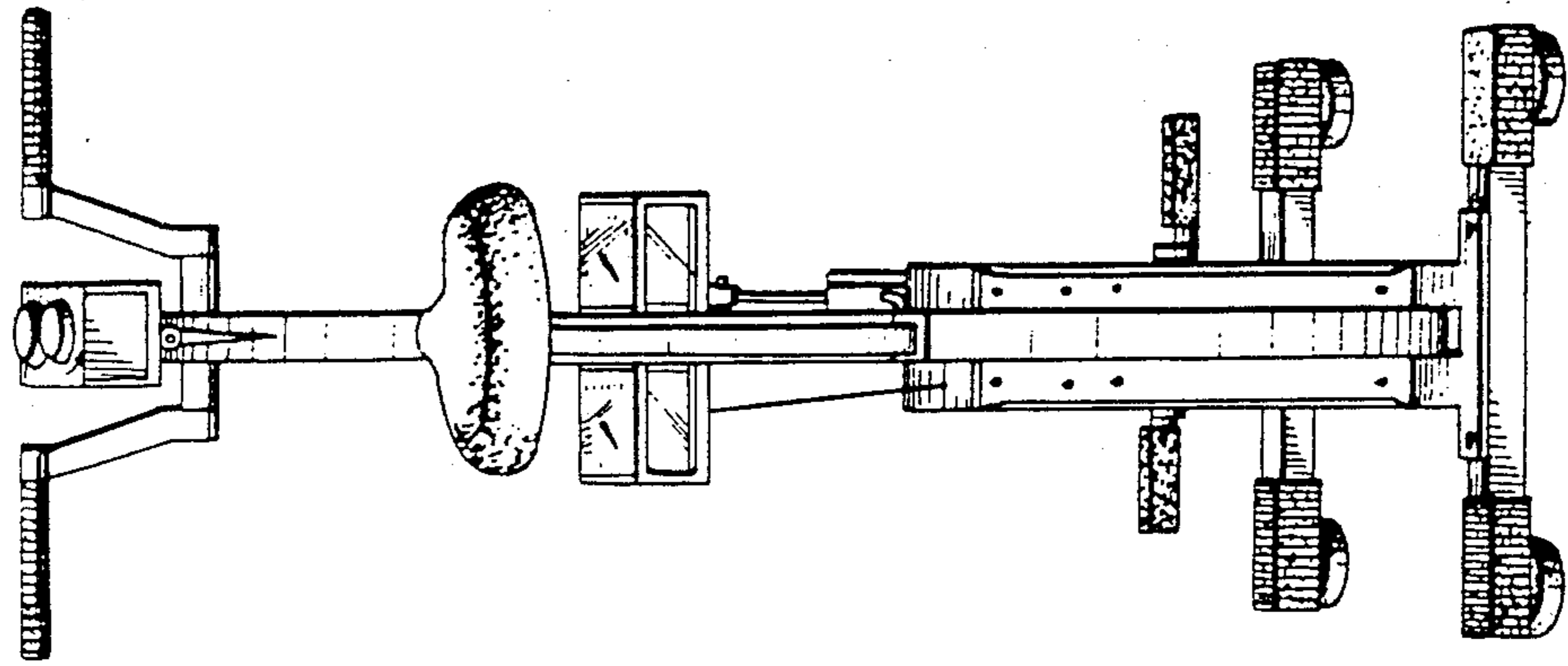


FIG. 3

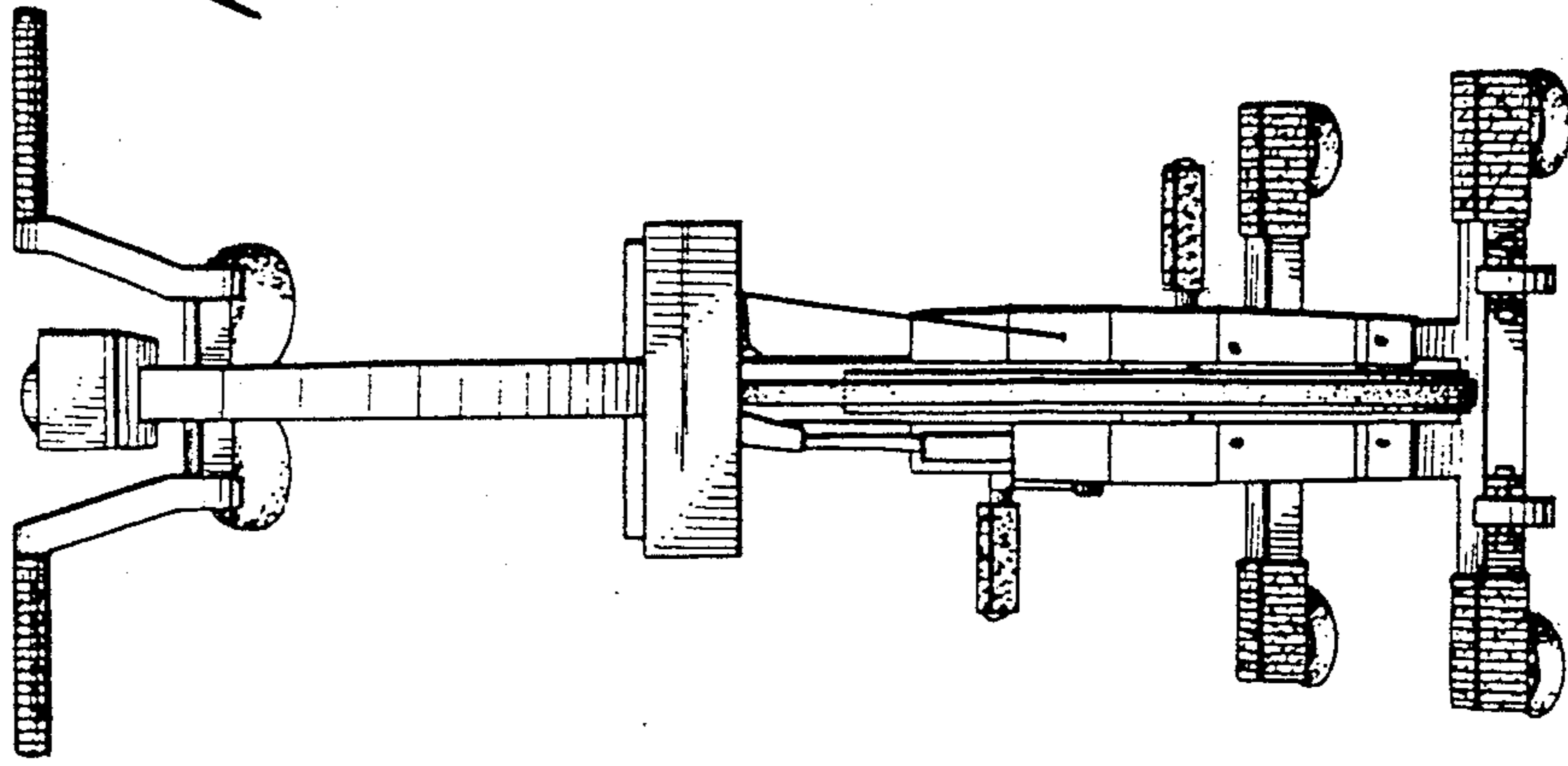


FIG. 5

FIG. 4

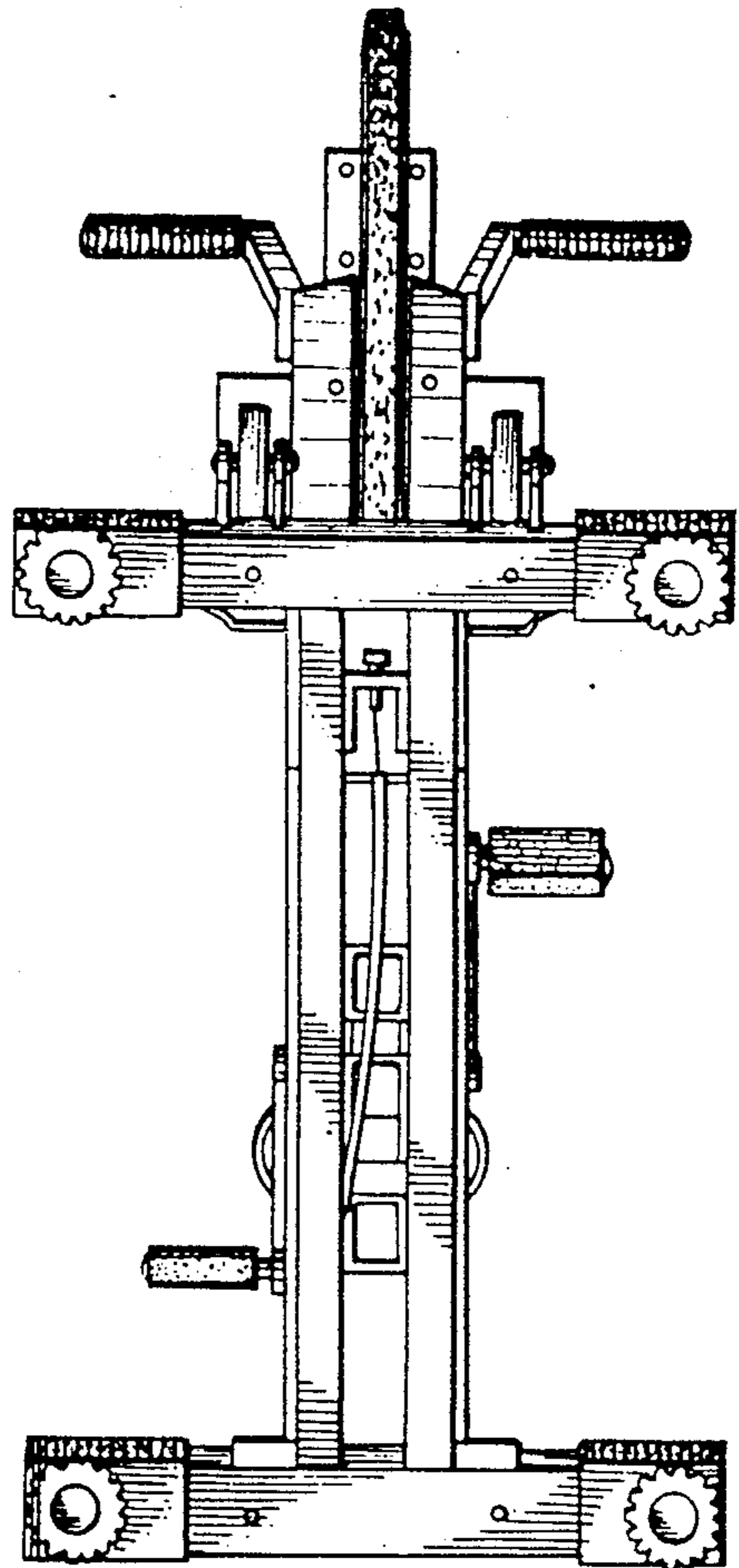
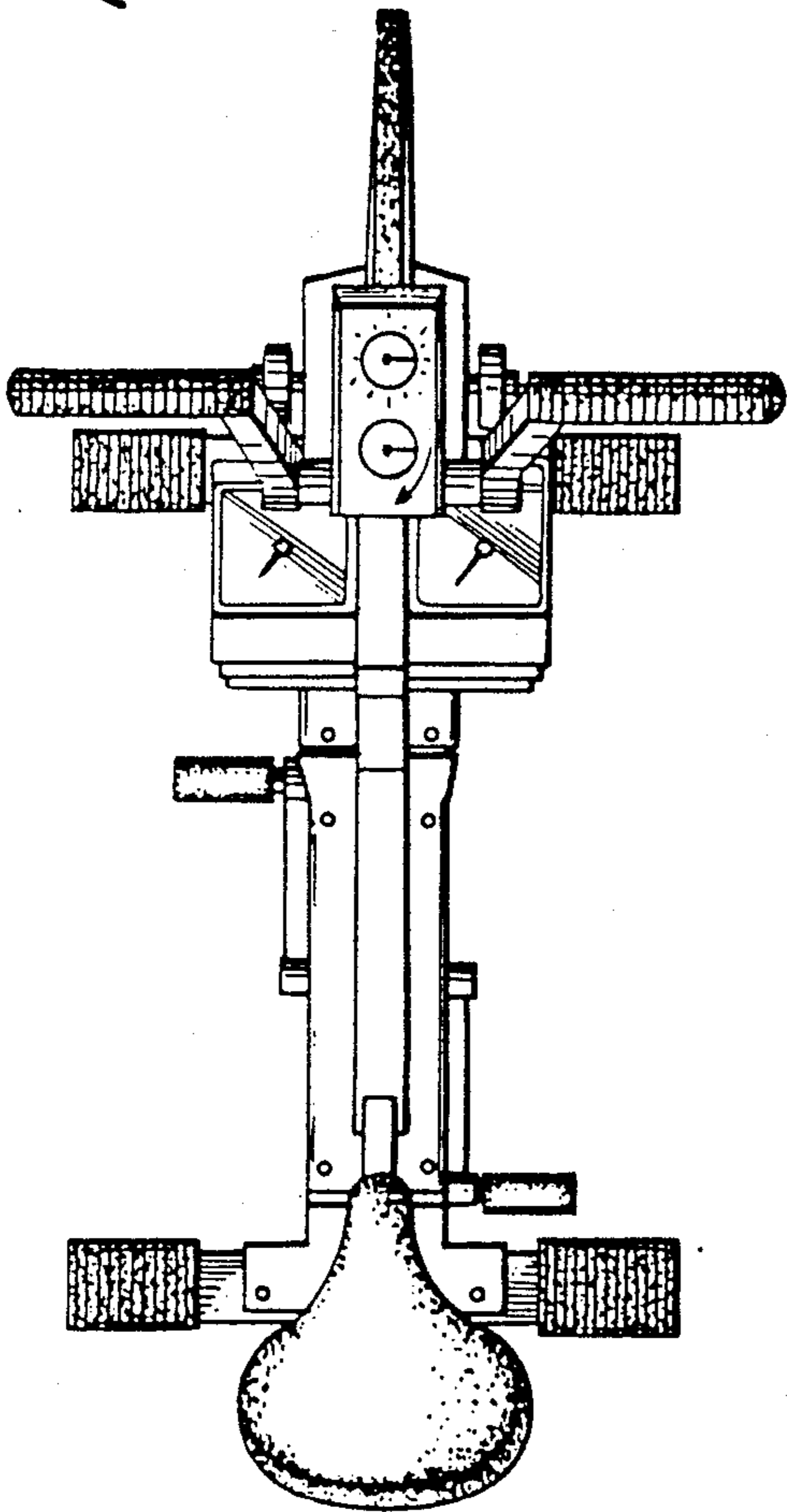


FIG. 6