

[54] **TOY WATER WHEEL**

D. 245,270	8/1977	Williams et al.	D30/12
1,635,978	7/1927	Ross	446/483
2,026,913	1/1936	Riesz	446/483

[76] **Inventor: Troy B. Davis, Rte. 5, Box 295-A, Oxford, Miss. 38655**

Primary Examiner—Charles A. Rademaker
Attorney, Agent, or Firm—Beveridge, DeGrandi & Weilacher

[**] **Term: 14 Years**

[21] **Appl. No.: 710,074**

[57] **CLAIM**

The ornamental design for a toy water wheel, as shown.

[22] **Filed: Mar. 11, 1985**

[52] **U.S. Cl. D21/59; D21/150**

[58] **Field of Search 446/330, 331, 340, 352, 446/354, 485; D30/12; 119/5; D21/59, 92, 114, 150**

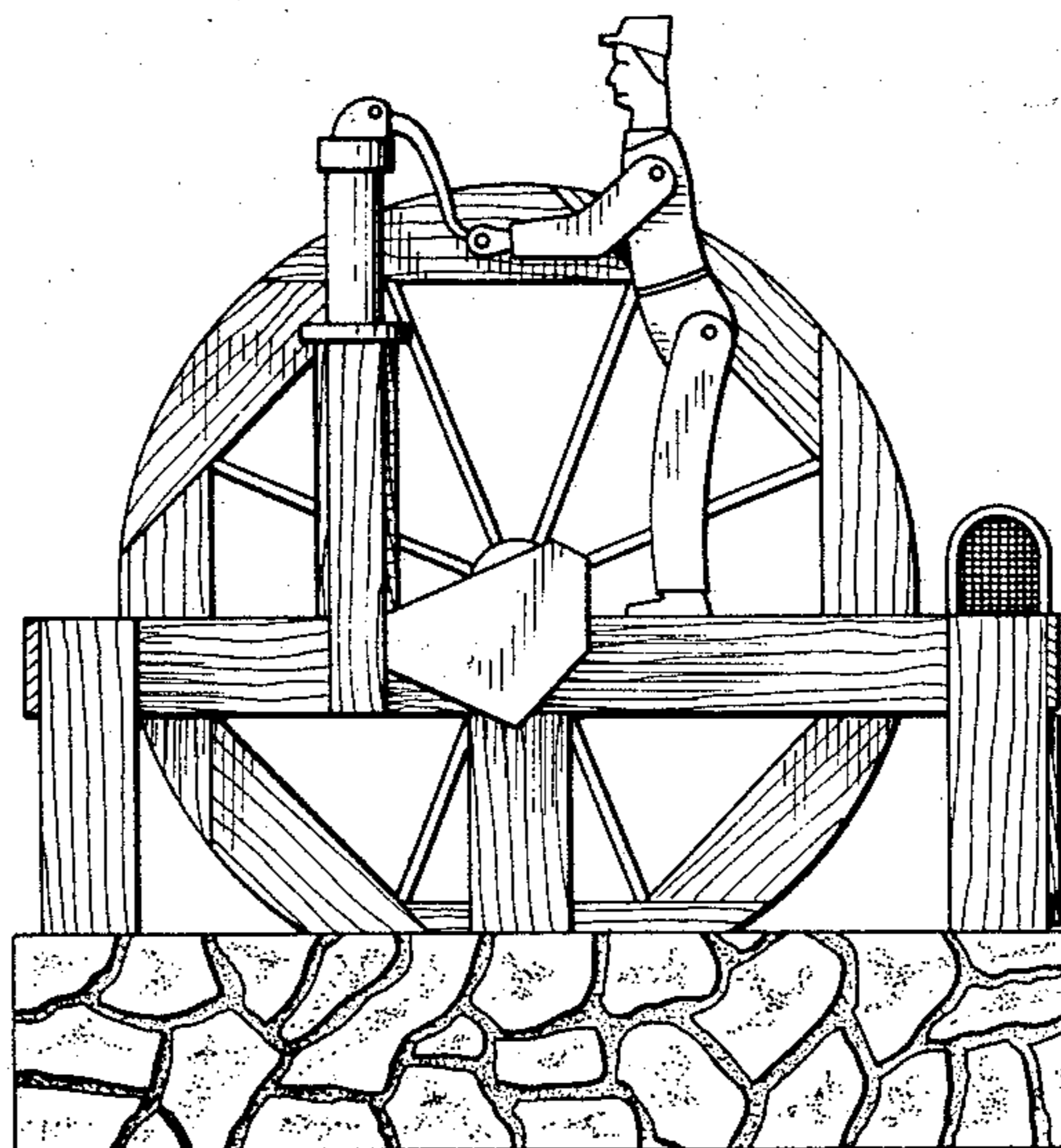
DESCRIPTION

FIG. 1 is a side elevational view of a toy water wheel showing my new design;
FIG. 2 is a side elevational view of the side opposite that shown in FIG. 1;
FIG. 3 is a top plan view thereof;
FIG. 4 is a left side elevational view thereof; and,
FIG. 5 is a right side elevational view thereof.

[56] **References Cited**

U.S. PATENT DOCUMENTS

D. 81,232 5/1930 Goriup D21/92



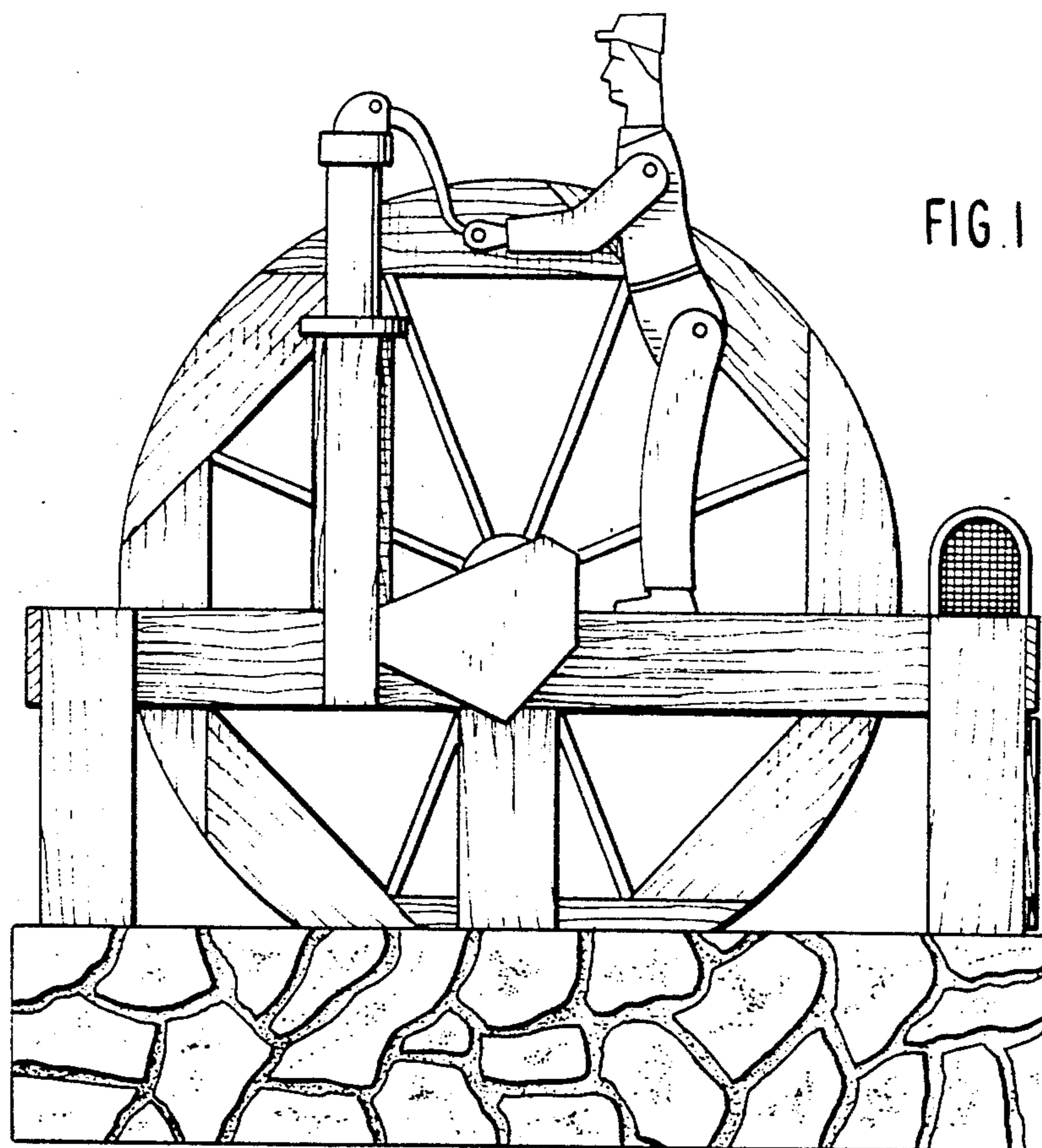
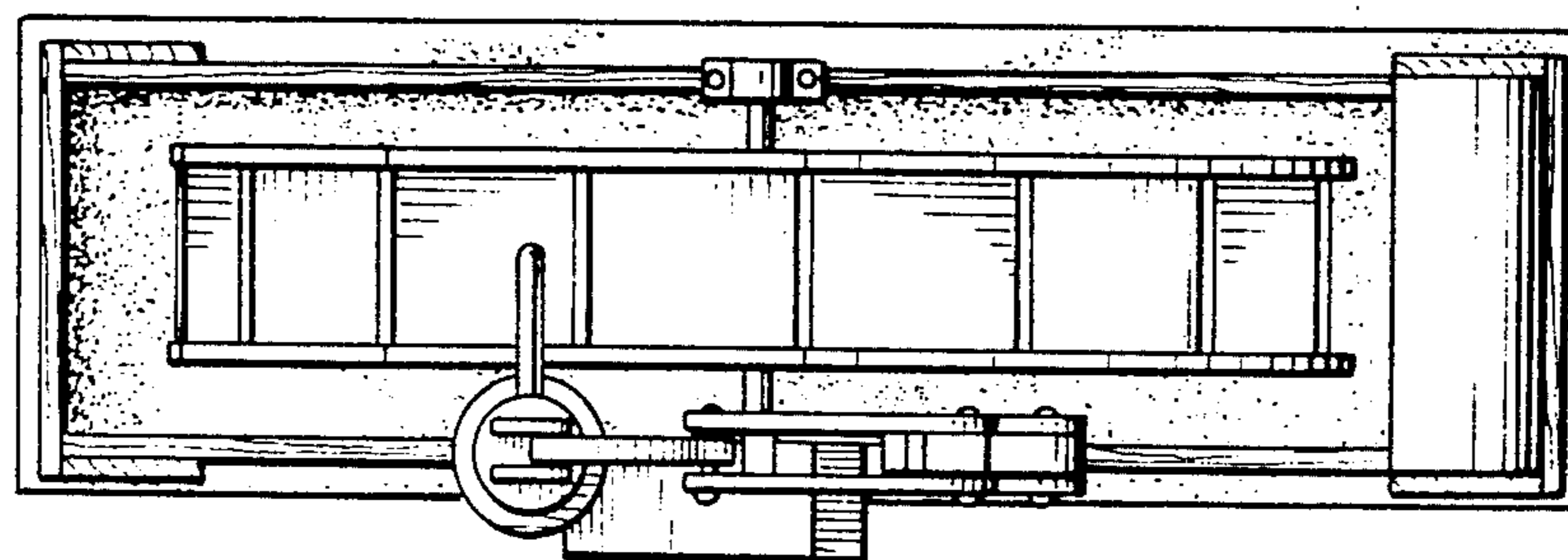


FIG. 3



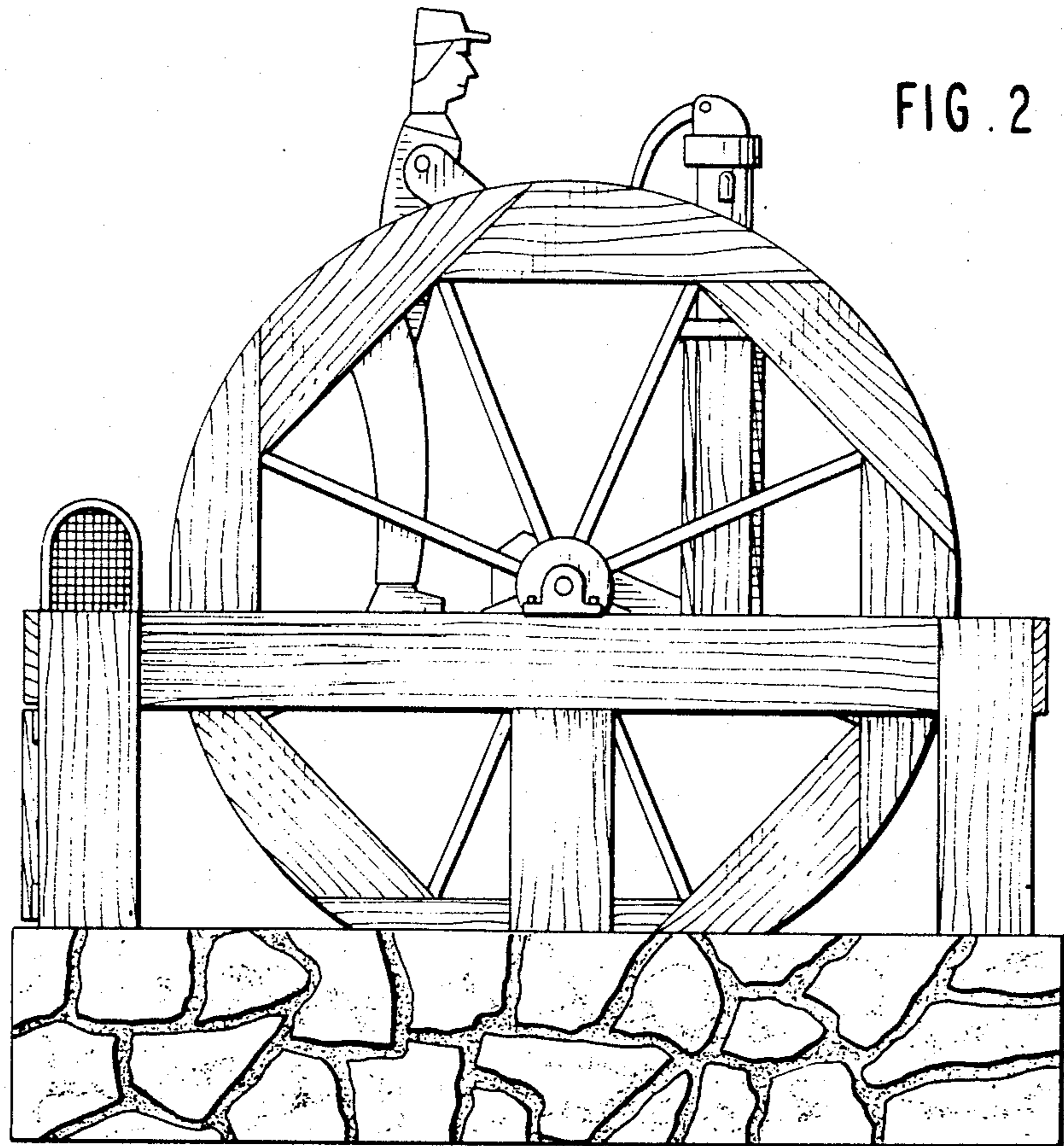


FIG. 2

FIG. 4

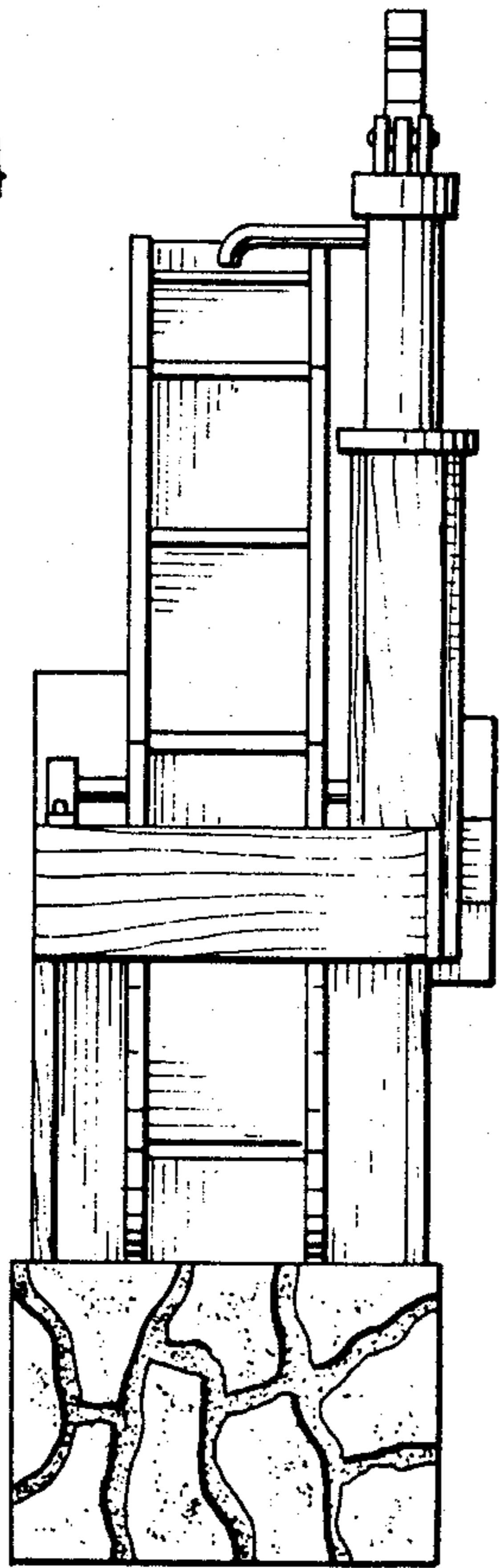


FIG. 5

