

[54] SIGN

[76] Inventors: Calame G. C. Georges, 32 av Frontenex, 1207 Genève, Switzerland; Jörg Zintzmeyer; Peter G. C. Lux, both of Attenhoferstrasse 43, Zurich, Switzerland, CH-8032

[**] Term: 14 Years

[21] Appl. No.: 558,649

[22] Filed: Dec. 6, 1983

[30] Foreign Application Priority Data

Jun. 6, 1983 [CH] Switzerland 113107
[52] U.S. Cl. D20/42
[58] Field of Search 40/584, 606, 607, 617; D20/10, 12, 39-42

[56]

References Cited

U.S. PATENT DOCUMENTS

2,299,331 10/1942 Marinone 40/616 X

OTHER PUBLICATIONS

Signs of the Times-Apr. 1982-p. 11-Mobil Sign.

Primary Examiner—Catherine E. Kemper
Attorney, Agent, or Firm—Townsend and Townsend

[57]

CLAIM

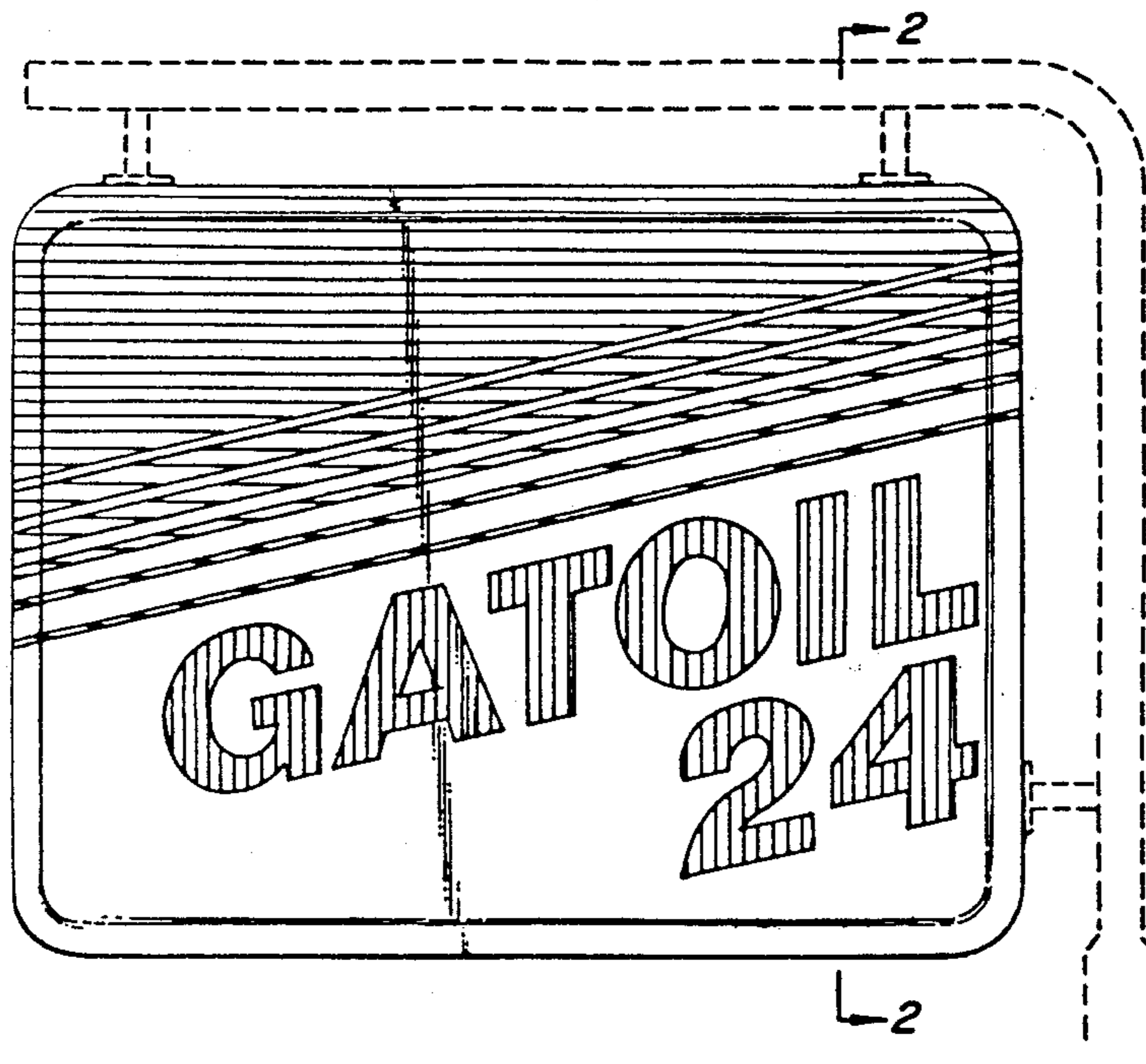
The ornamental design for a sign, as shown and described.

DESCRIPTION

FIG. 1 is a front elevational view of a sign, showing my new design;

FIG. 2 is a cross-sectional view thereof, taken along line 2—2 of FIG. 1.

The broken line disclosure of a sign support post in FIG. 1 is for illustrative purposes only and forms no part of the claimed design.



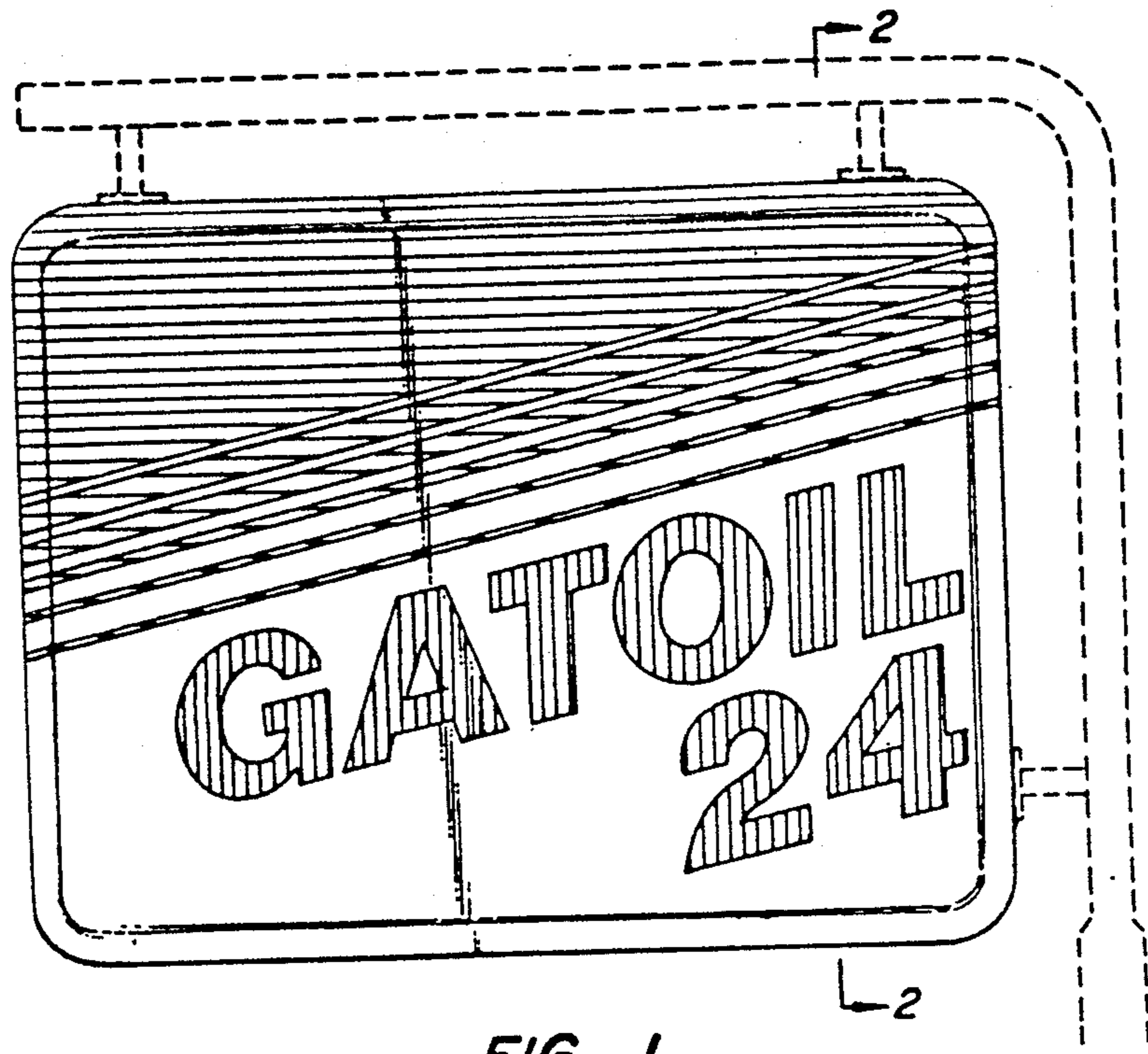


FIG. 1.

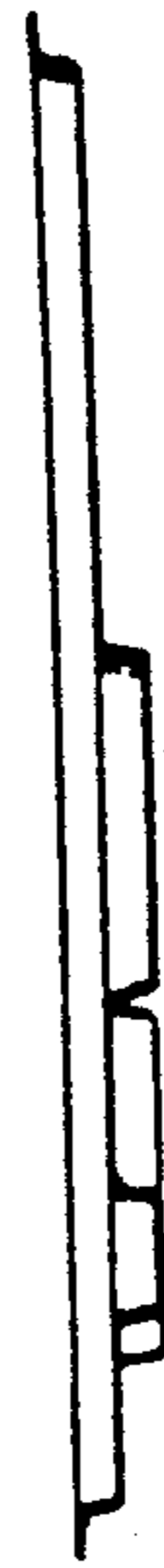


FIG. 2.