

[54] **SEAL PRESS**

[75] **Inventors: Cameron Fink; Robert W. Schram; Anthony Gentile, all of London, Canada**

[73] **Assignee: Sterling Marking Products Inc., London, Canada**

[**] **Term: 14 Years**

[21] **Appl. No.: 730,909**

[22] **Filed: May 6, 1985**

[30] **Foreign Application Priority Data**

Jan. 21, 1985 [CA] Canada 21-01-85-2
[52] **U.S. Cl. D18/15**
[58] **Field of Search D18/14, 15, 18; 101/3 R, 3 SP, 18, 28, 269**

[56] **References Cited**

U.S. PATENT DOCUMENTS

D. 175,173 7/1955 Kress et al. D18/15
D. 176,621 1/1956 Maki D18/14
D. 235,805 7/1975 McCue D18/15

FOREIGN PATENT DOCUMENTS

1515419 6/1978 United Kingdom 101/3 SP

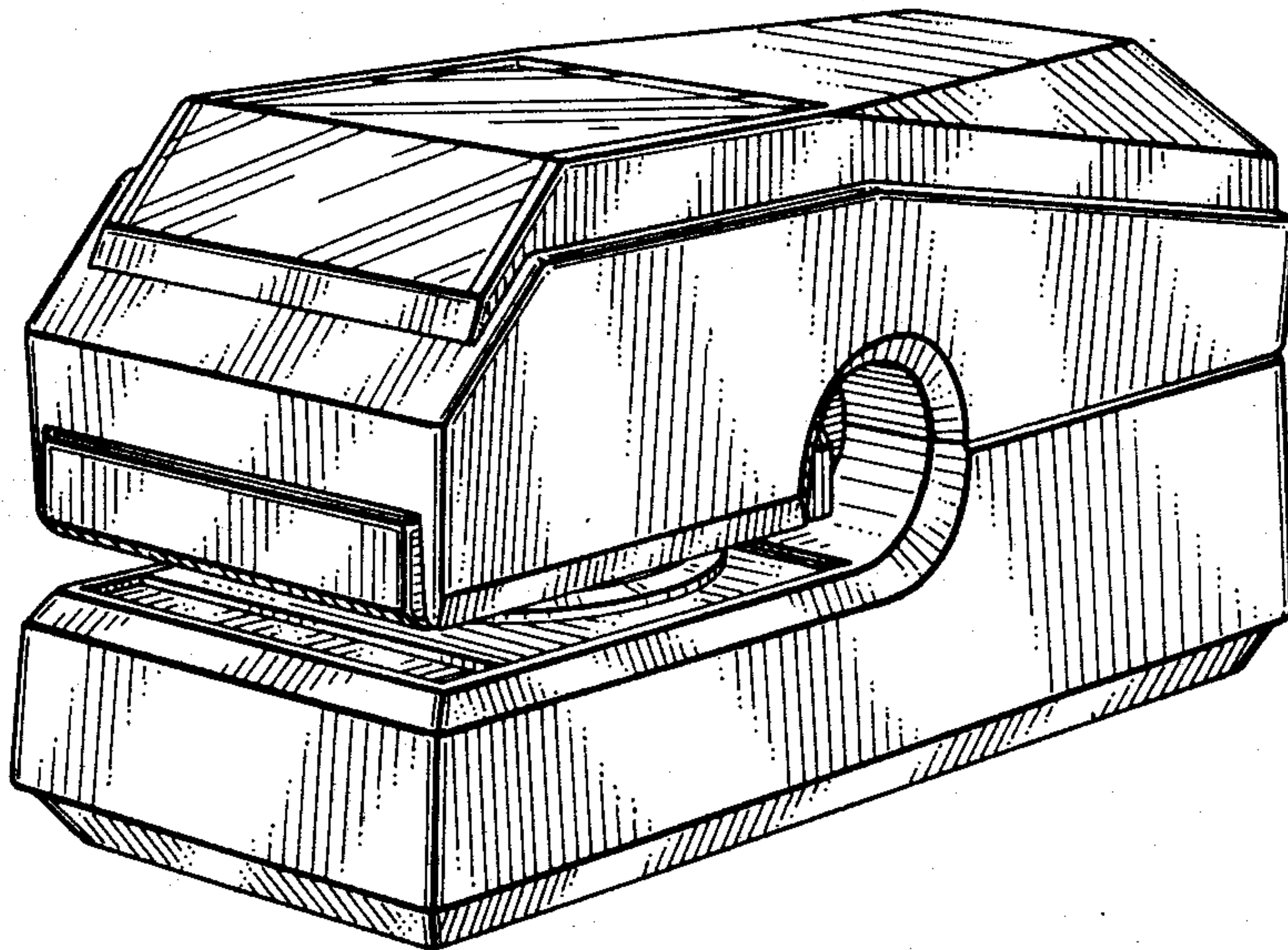
*Primary Examiner—Louis S. Zarfaz
Attorney, Agent, or Firm—Rogers & Scott*

[57] **CLAIM**

The ornamental design for a seal press, as shown.

DESCRIPTION

FIG. 1 is a top front right perspective view of a seal press showing our new design; FIG. 2 is a top rear left perspective view; FIG. 3 is a bottom front left perspective view; FIG. 4 is a right side elevational view; and FIG. 5 is a front elevational view.



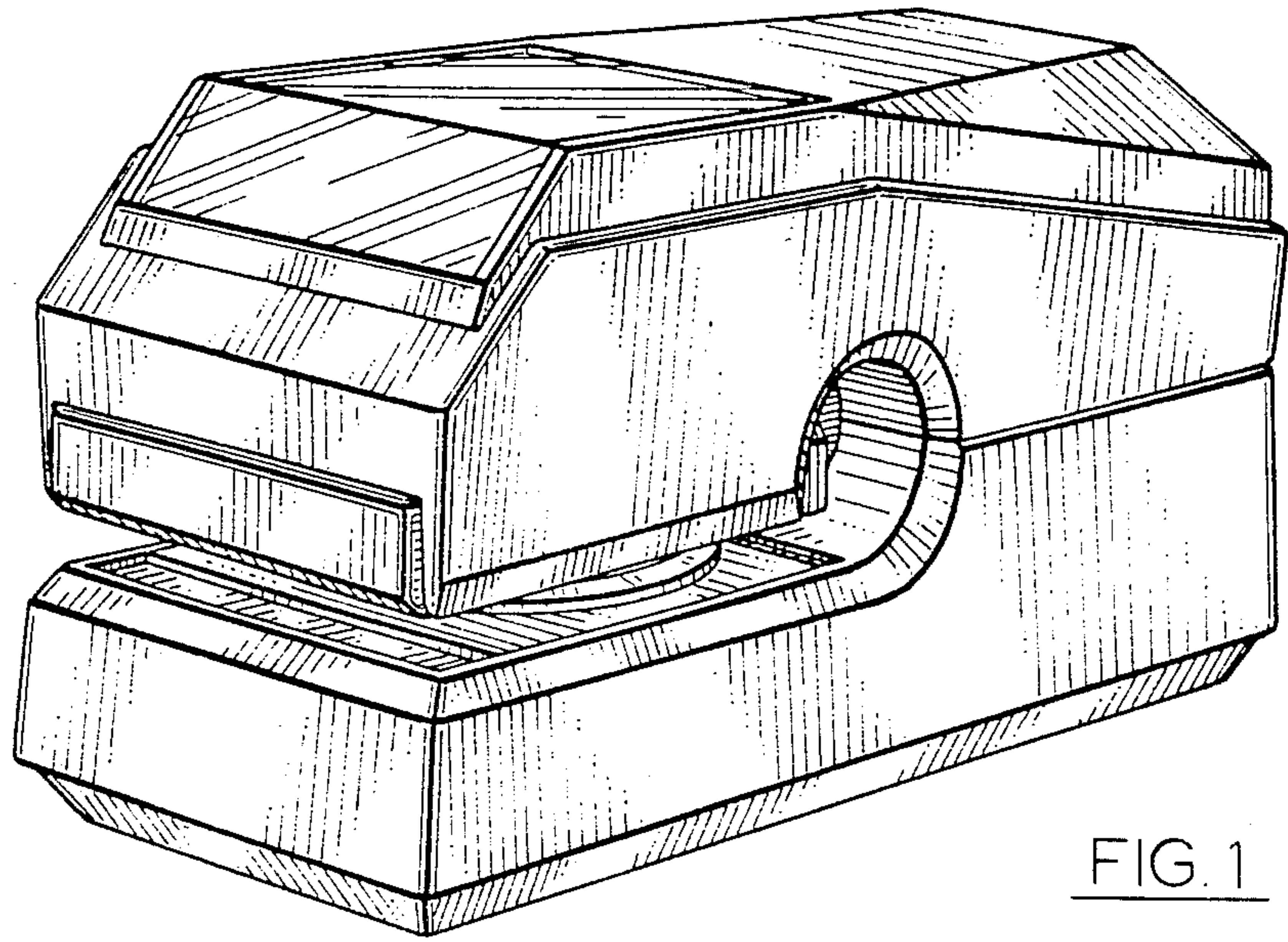


FIG. 1

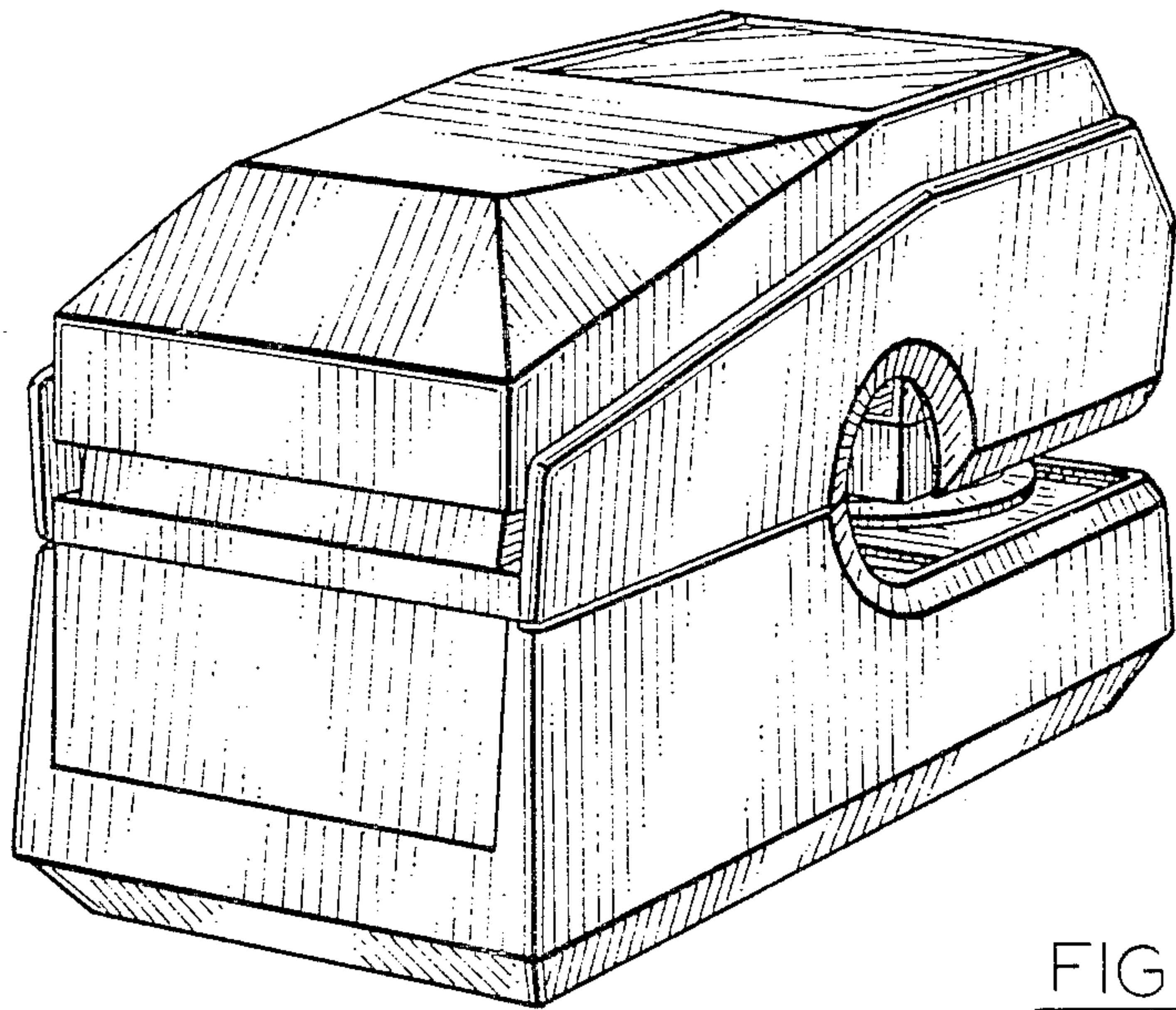


FIG. 2

FIG. 3

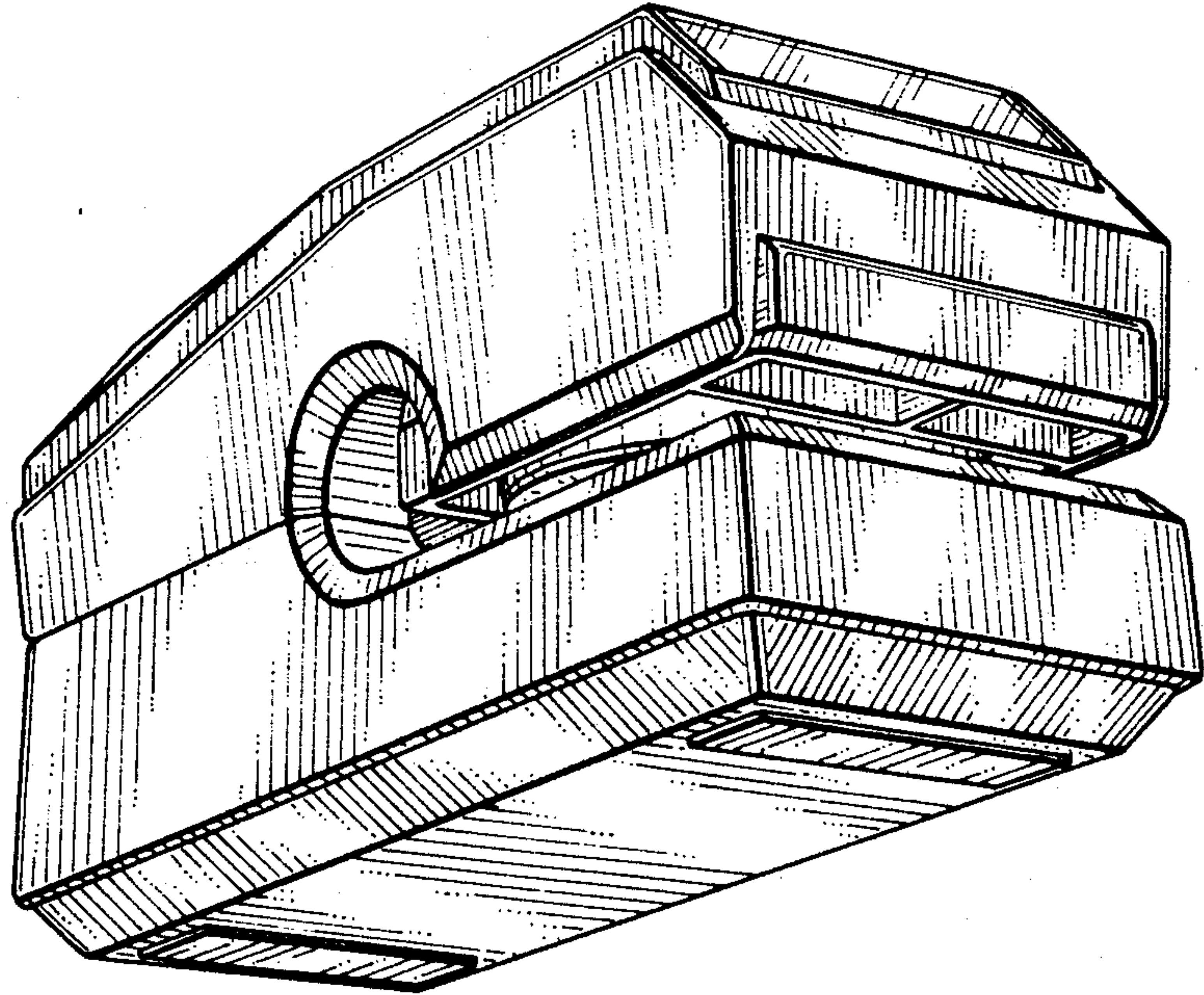


FIG. 4

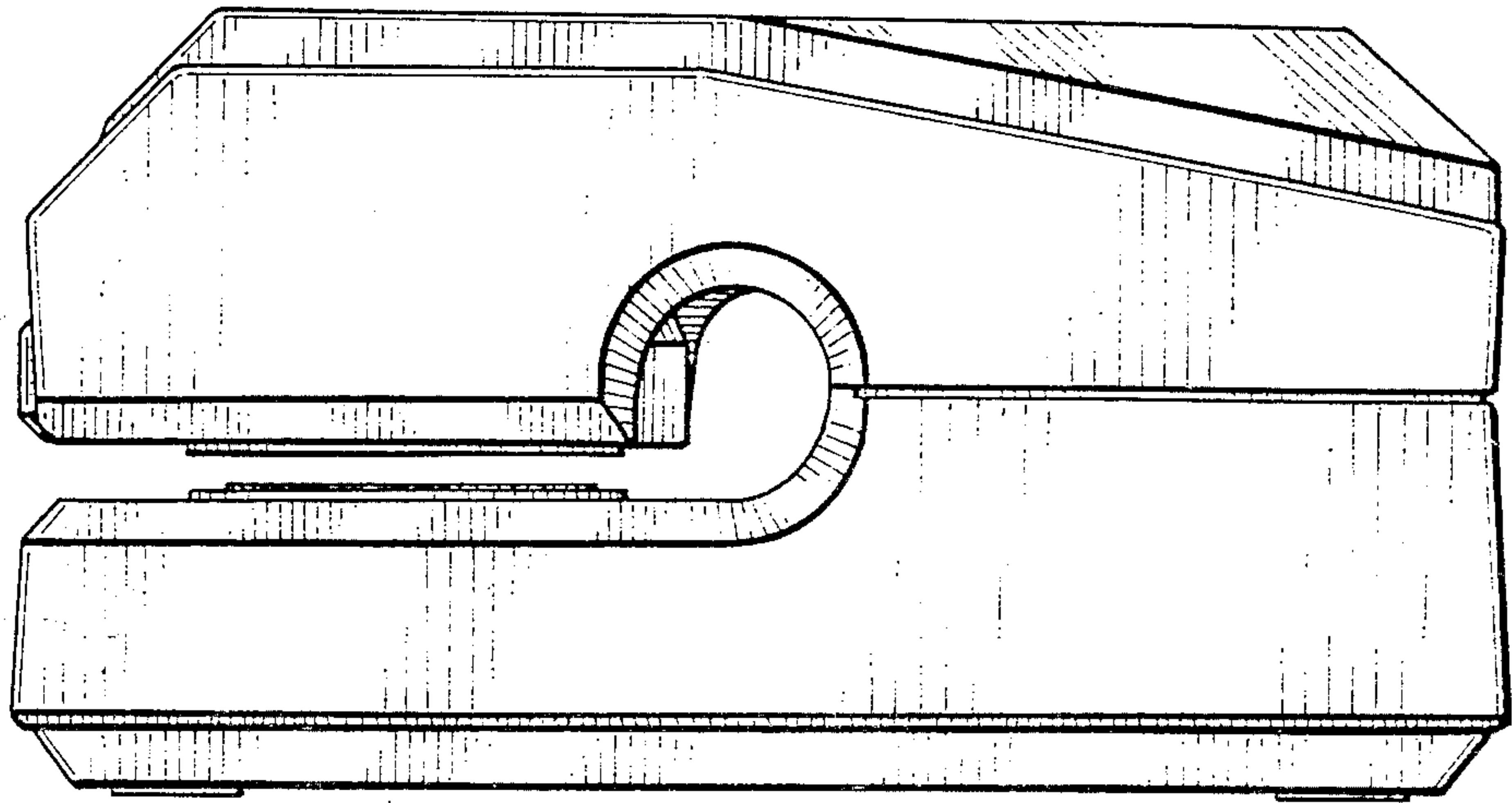


FIG. 5

