

[54] MICROSCOPE STAND WITH A BUILT-IN ILLUMINATOR

4,284,327 8/1981 Kraft et al. .... 350/526

[75] Inventor: Robert M. Kahute, Honeoye Falls, N.Y.

[73] Assignee: Warner-Lambert Technologies, Inc., Southbridge, Mass.

[\*\*] Term: 14 Years

[21] Appl. No.: 598,108

[22] Filed: Apr. 9, 1984

[52] U.S. Cl. .... D16/131

[58] Field of Search ..... D16/130-136; 350/521, 523-528

[56] References Cited

U.S. PATENT DOCUMENTS

- D. 195,998 8/1963 Auböck ..... D16/131
- D. 273,592 4/1984 Armbruster ..... D16/131
- D. 276,351 11/1984 Janke et al. .... D16/131
- 3,934,960 1/1976 Ouchi et al. .... 350/528

OTHER PUBLICATIONS

"Inverse Microscope Operated by Lighting and/or Light Transmission" PCT appl. #8300745 by Ernst Leitz Wetzlar.

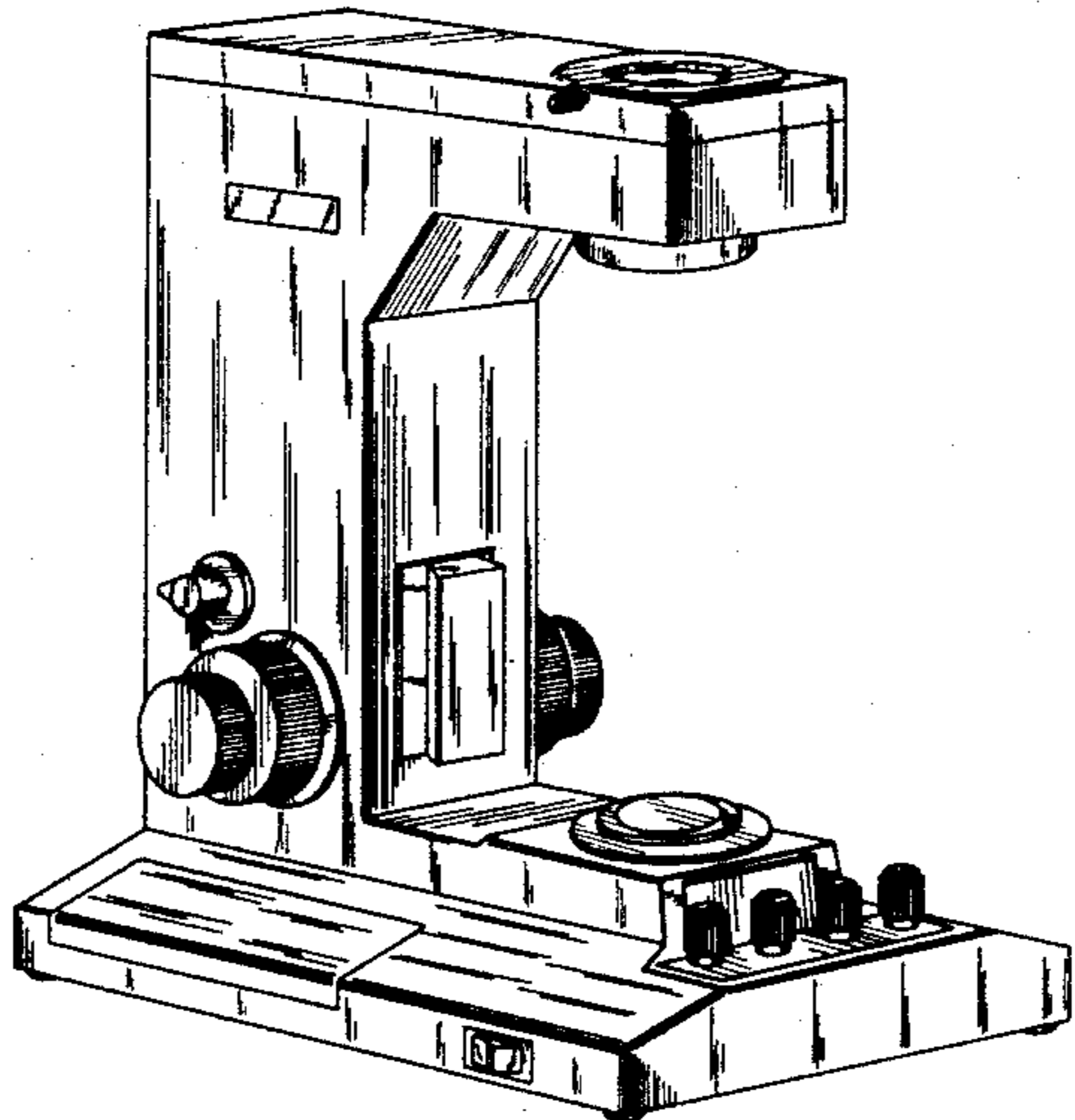
Primary Examiner—Susan J. Lucas  
Assistant Examiner—C. E. Heflin  
Attorney, Agent, or Firm—Alan H. Spencer

[57] CLAIM

The ornamental design for a microscope stand with a built-in illuminator, as shown and described.

DESCRIPTION

FIG. 1 is a front, left side and top perspective view of a microscope stand with a built-in illuminator showing my new design;  
FIG. 2 is a left side elevational view thereof, the right side being a mirror image;  
FIG. 3 is a top plan view thereof;  
FIG. 4 is a rear elevational view thereof; and  
FIG. 5 is a front elevational view the thereof.



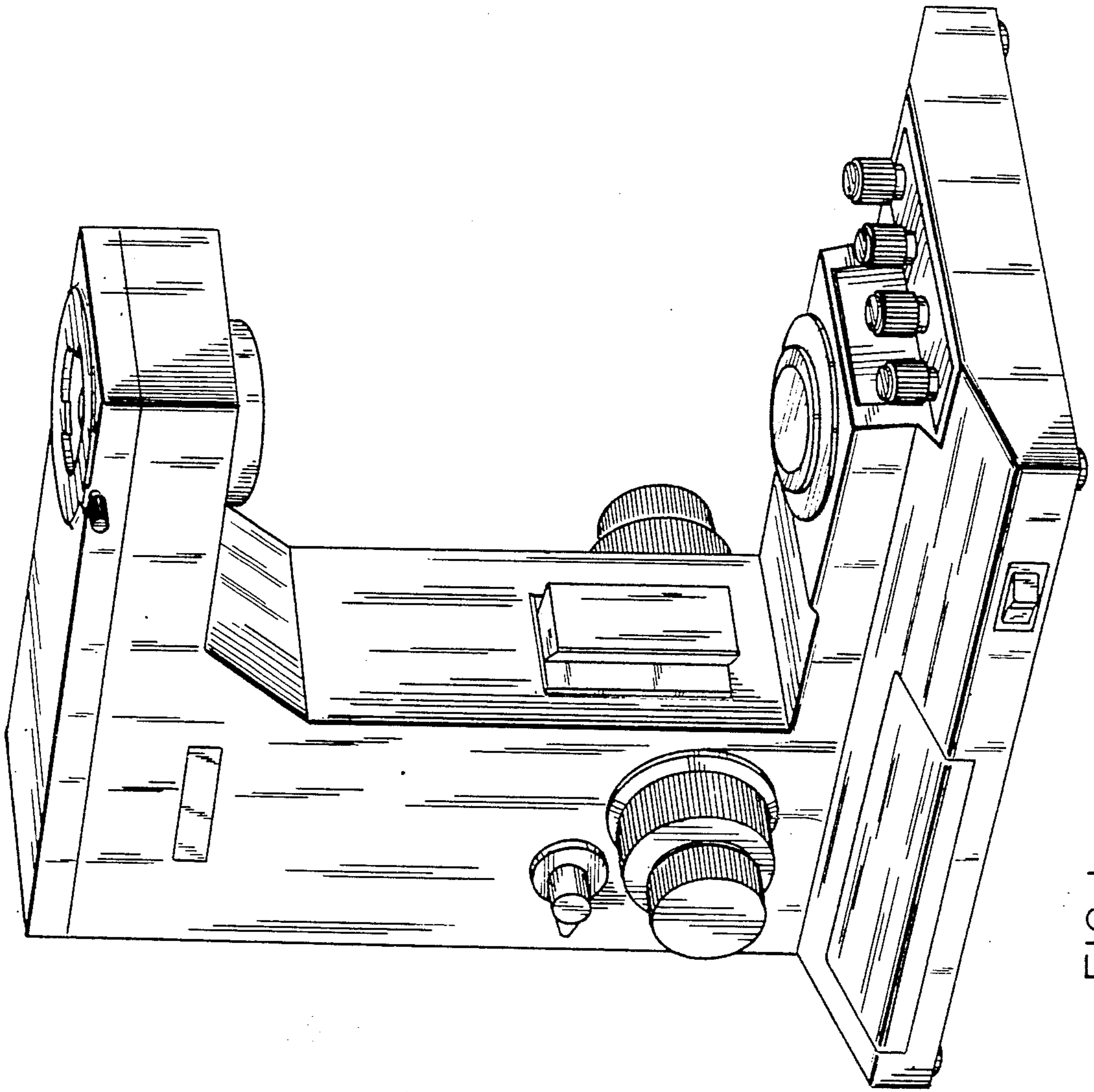


FIG. 1

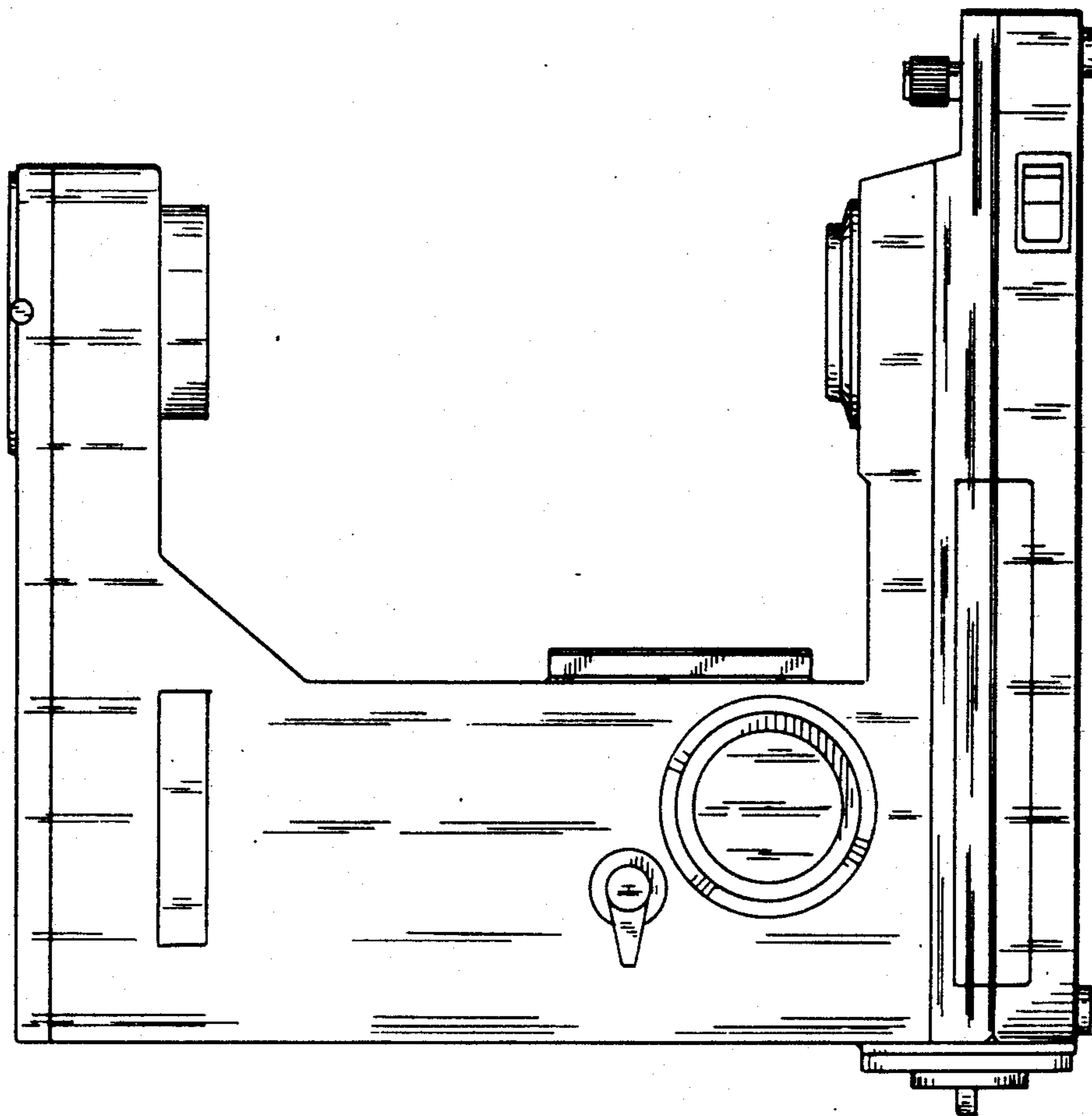


FIG. 2

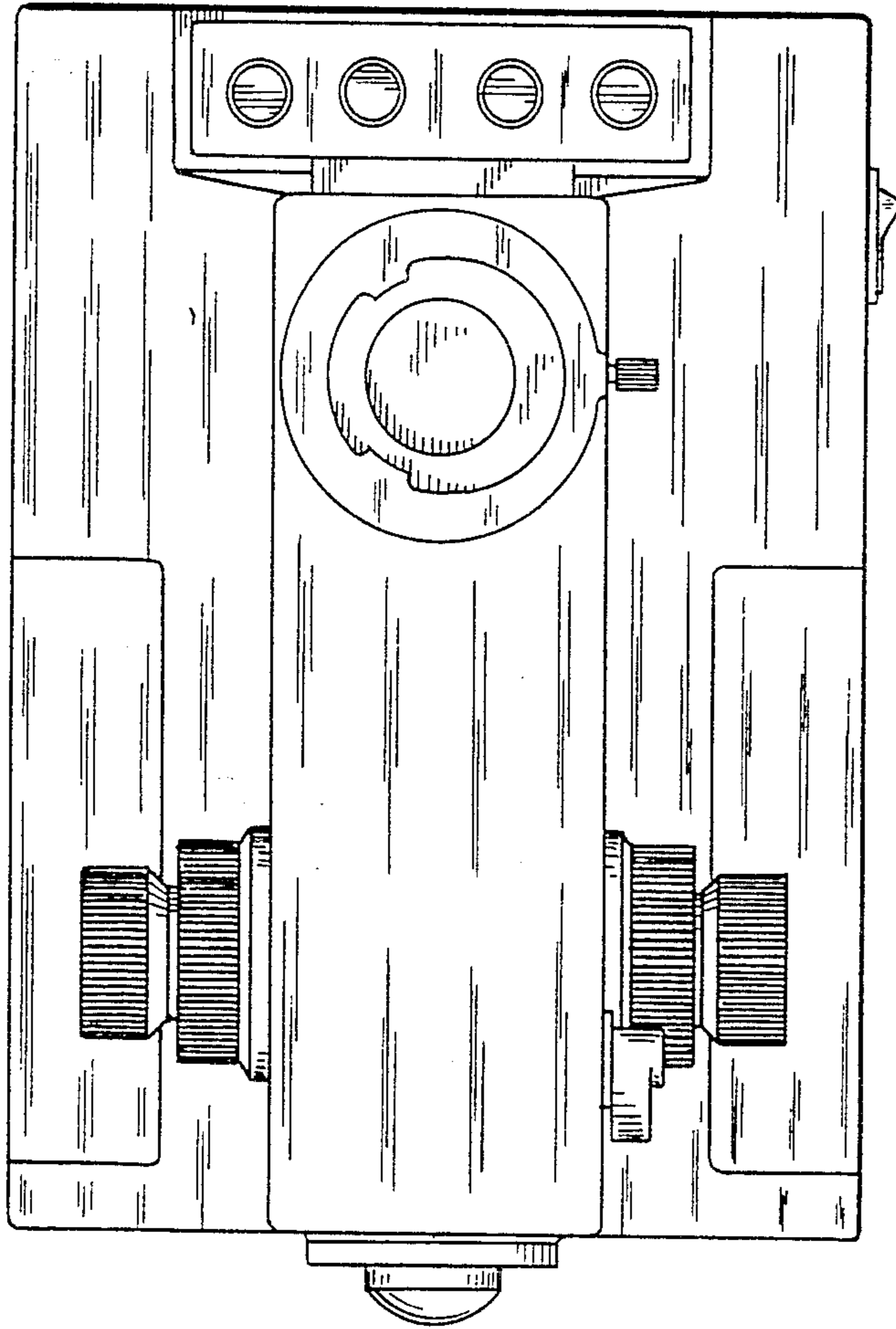


FIG. 3

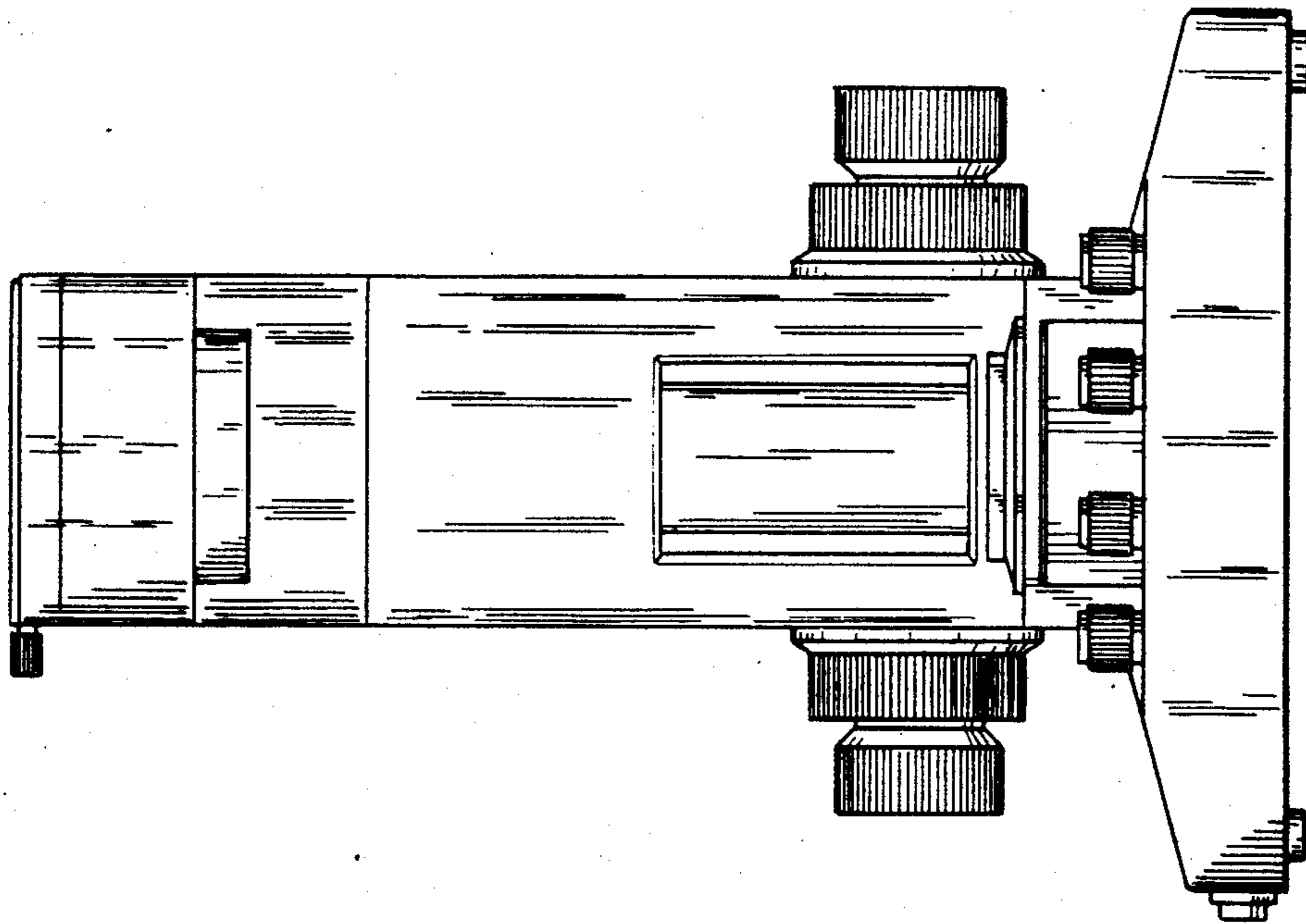


FIG. 5

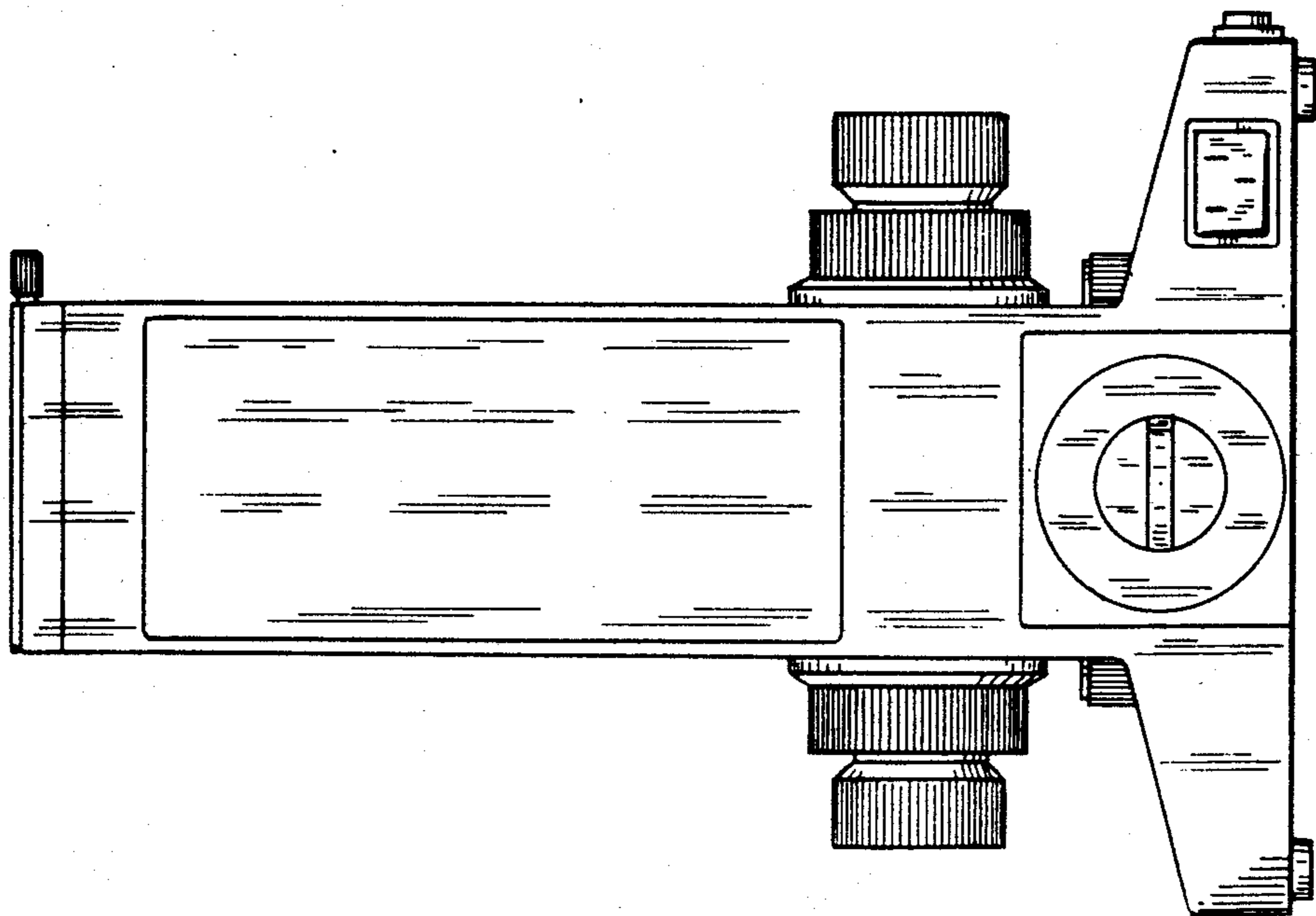


FIG. 4