

[54] PERSONAL COMPUTER KEYBOARD
TEMPLATE FOR DISPLAYING OPERATING
INSTRUCTIONS FOR SOFTWARE
PROGRAM

[75] Inventor: Thorvald E. Duffin, II, Reston, Va.

[73] Assignee: TDA, Inc., Redmond, Wash.

[**] Term: 14 Years

[21] Appl. No.: 753,096

[22] Filed: Jul. 9, 1985

[52] U.S. Cl. D14/114

[58] Field of Search D14/100, 106, 107, 114,
D14/115; D18/1, 4, 7, 11, 12, 18, 22; D19/59;
340/365 R, 365 VL, 700, 815.06; 235/145 R;
40/2, 360; 400/422; 434/118, 227

[56] References Cited

U.S. PATENT DOCUMENTS

4,075,465	2/1978	Funk et al.	235/145 R
4,274,081	6/1981	Nomura et al.	340/365 VL
4,479,317	10/1984	Hanna	40/2 R
4,512,092	4/1985	McLaughlin et al. ...	340/365 VL X

OTHER PUBLICATIONS

Byte, 5-1983, p. 251, Keyboard Template.

Computer Accessories & Peripherals (CAP), 12-1983,
p. 82, PC-Documate Keyboard Overlay.
IBM Technical Disclosure Bulletin, vol. 24, No. 10,
3-1982, p. 4905, Keyboard Templates w. Container.

Primary Examiner—Susan J. Lucas
Attorney, Agent, or Firm—John L. Hummer

[57] CLAIM

The ornamental design for a personal computer key-
board template for displaying operating instructions for
software program, as shown and described.

DESCRIPTION

FIG. 1 is a front, top and left side perspective view of a
personal computer keyboard template for displaying
operating instructions for software program showing
my new design, the keyboard being shown in broken
lines for illustrative purposes only;
FIG. 2 is a top plan view thereof on an enlarged scale;
FIG. 3 is a front elevational view thereof on an enlarged
scale;
FIG. 4 is a bottom plan view thereof on an enlarged
scale;
FIG. 5 is a left side elevational view thereof on an en-
larged scale;
FIG. 6 is a right side elevational view thereof on an
enlarged scale.

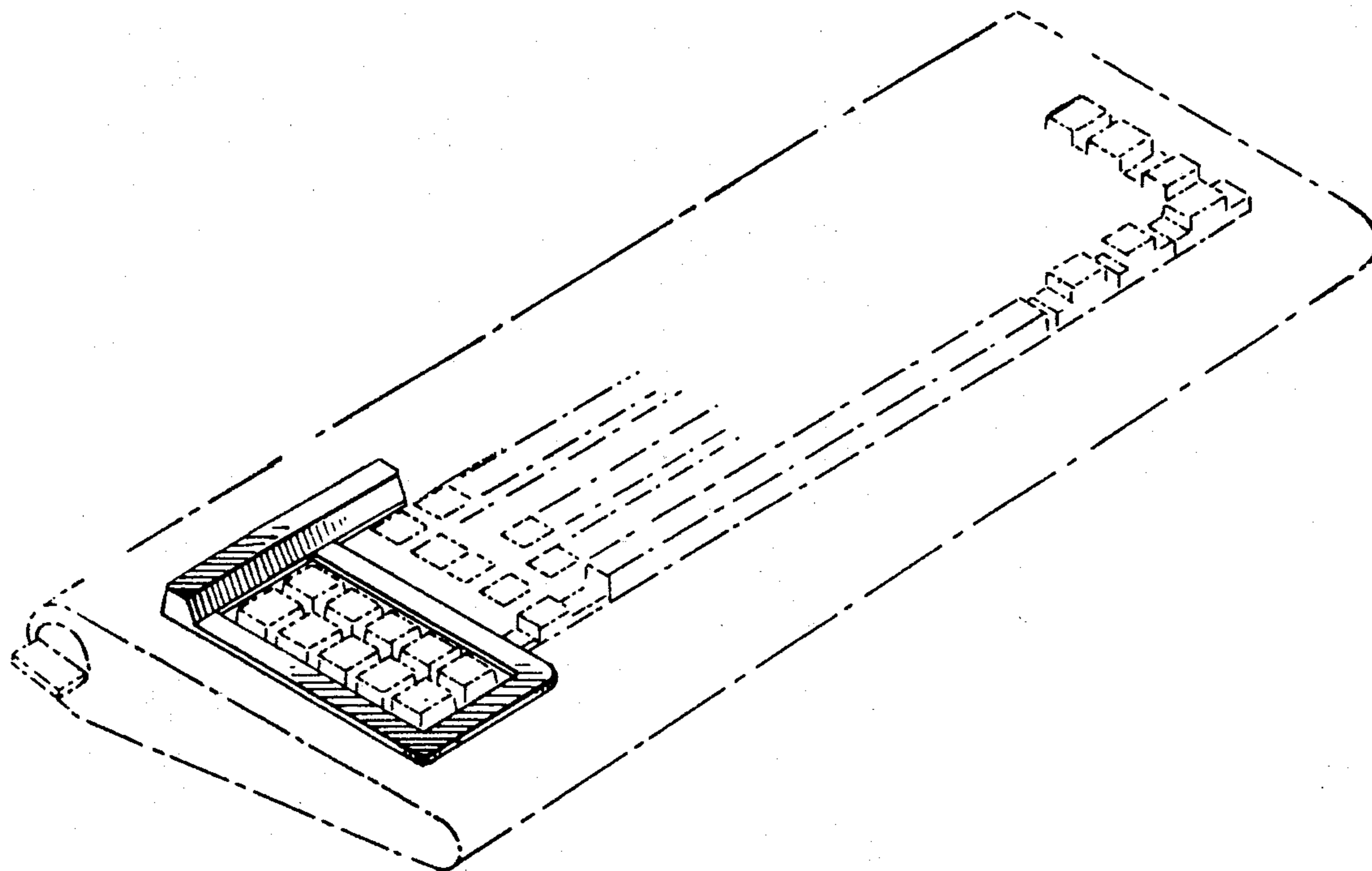


FIG. 1.

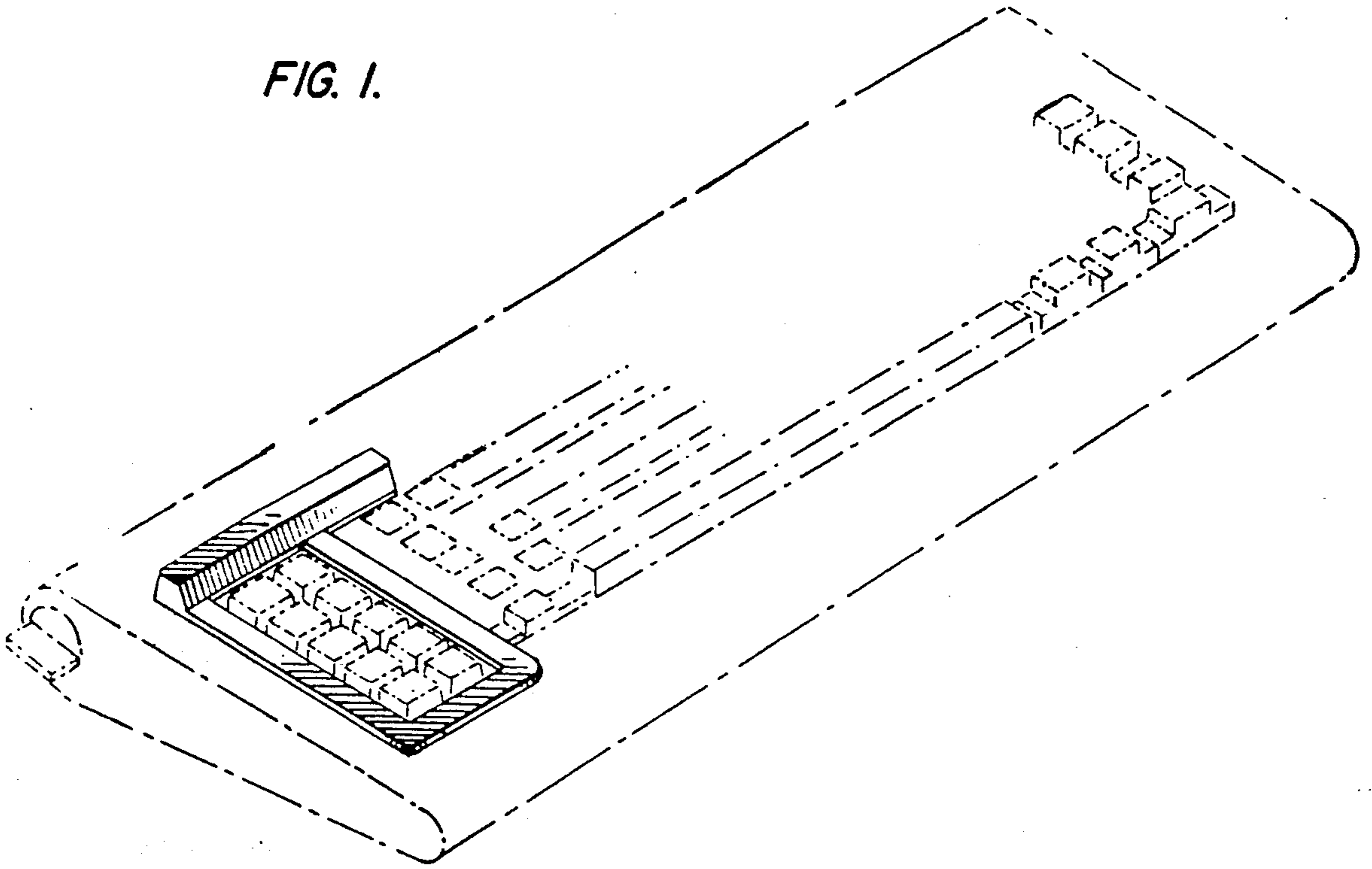


FIG. 2.

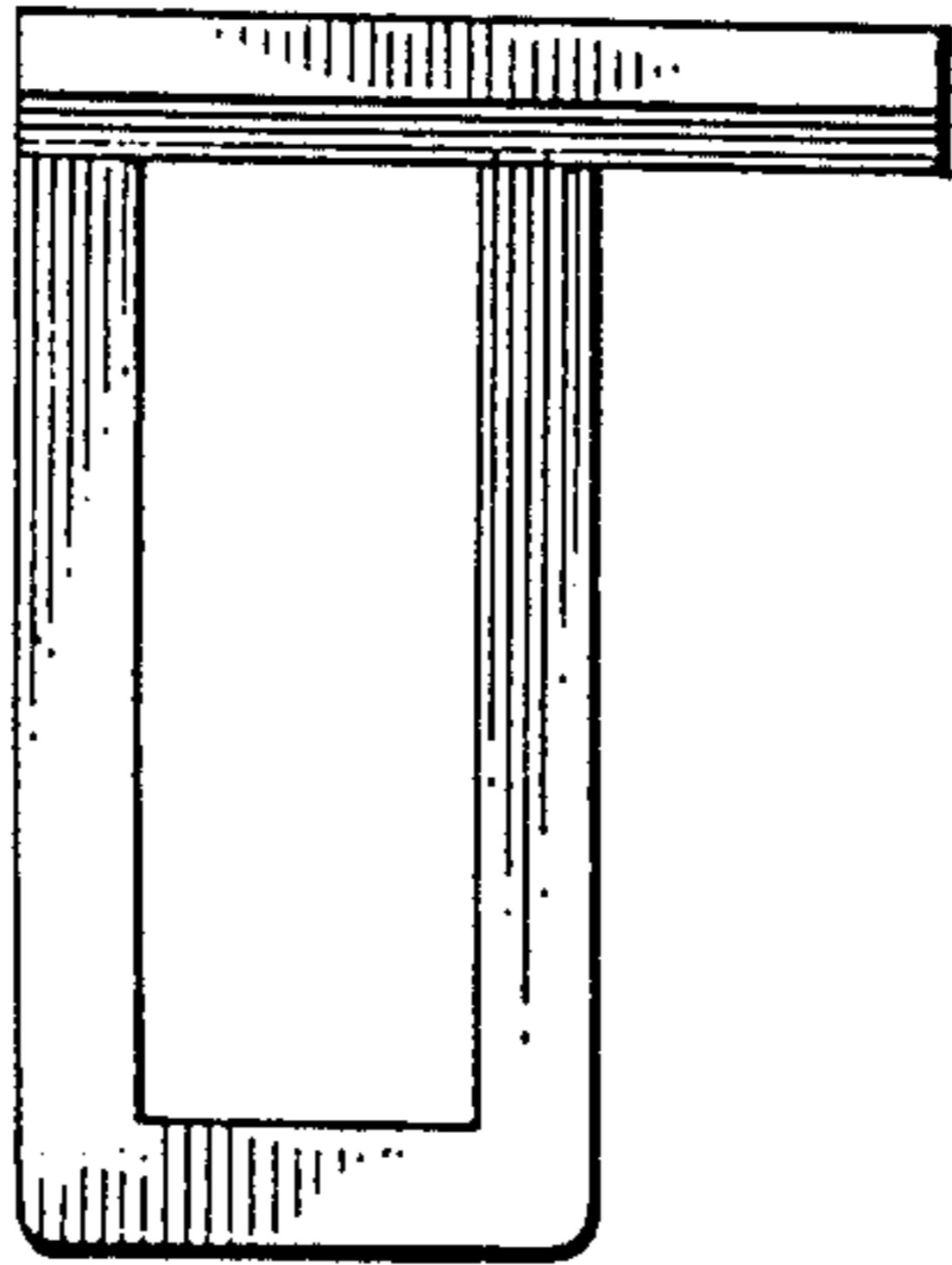


FIG. 3.



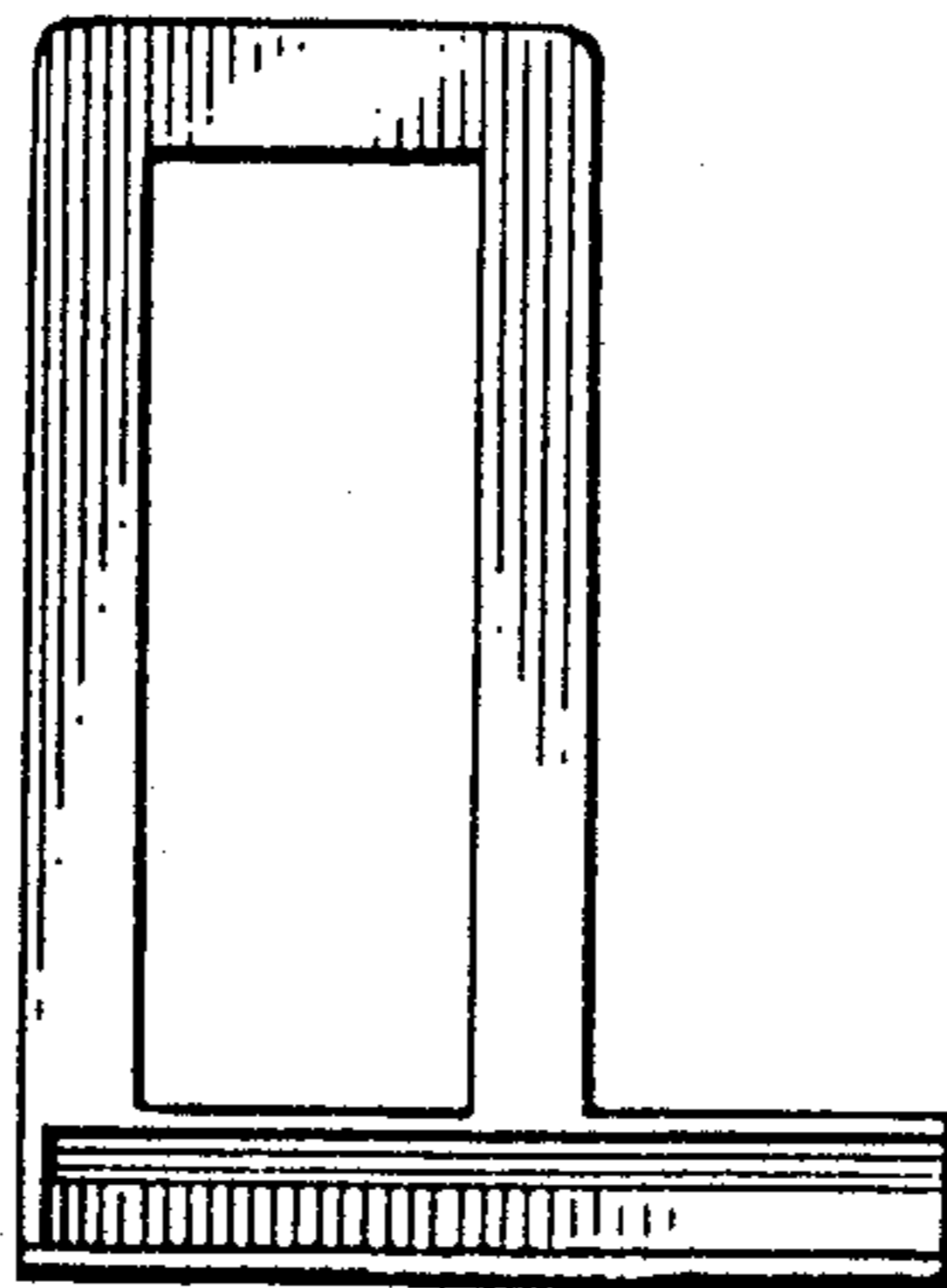


FIG. 4.

FIG. 5.



FIG. 6.

