

[54] VISUAL DISPLAY MONITOR

[75] Inventors: David L. Schaum, Woodstock, N.Y.; Robert E. Steinbugler; Jonathan J. Vitello, both of Raleigh, N.C.

[73] Assignee: International Business Machines Corp., Armonk, N.Y.

[\*\*] Term: 14 Years

[21] Appl. No.: 705,807

[22] Filed: Mar. 1, 1985

[52] U.S. Cl. .... D14/113

[58] Field of Search ..... D14/100, 106, 113, 77, D14/80, 81, 82, 84; 340/700, 711, 720; 358/248, 249, 254; 312/7.2

[56] References Cited

U.S. PATENT DOCUMENTS

D. 159,464	8/1950	Adler	.....	D14/80
D. 275,287	8/1984	Juhola et al.	.....	D14/113
D. 285,689	9/1986	Kelley, Jr. et al.	.....	D14/113
4,577,187	3/1986	Barr et al.	.....	340/700

OTHER PUBLICATIONS

Computer Design, 5-1983, p. 24, Motorola Inc., Display Monitor.  
Datamation, 11-1983, p. 270, Panasonic Industrial Co. Display Monitor.

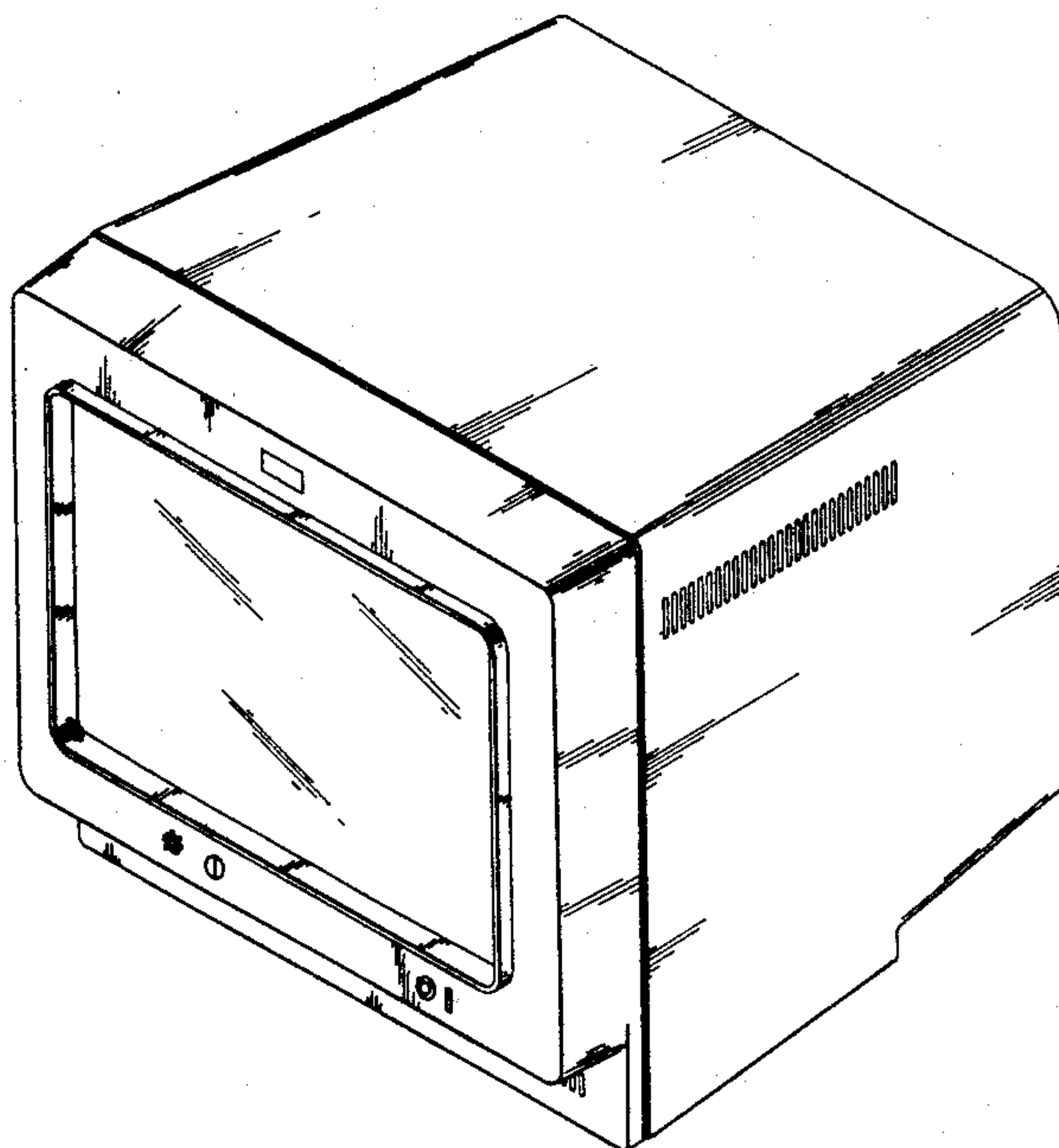
Primary Examiner—Susan J. Lucas  
Attorney, Agent, or Firm—Joscelyn G. Cockburn

[57] CLAIM

The ornamental design for a visual display monitor, substantially as shown and described.

DESCRIPTION

FIG. 1 is a perspective view of a visual display monitor showing our new design;  
FIG. 2 is a front elevational view thereof on an enlarged scale;  
FIG. 3 is a top plan view thereof on an enlarged scale;  
FIG. 4 is a rear elevational view thereof on an enlarged scale;  
FIG. 5 is a right side elevational view thereof on an enlarged scale;  
FIG. 6 is a left side elevational view thereof on an enlarged scale;  
FIG. 7 is a bottom plan view thereof on an enlarged scale.



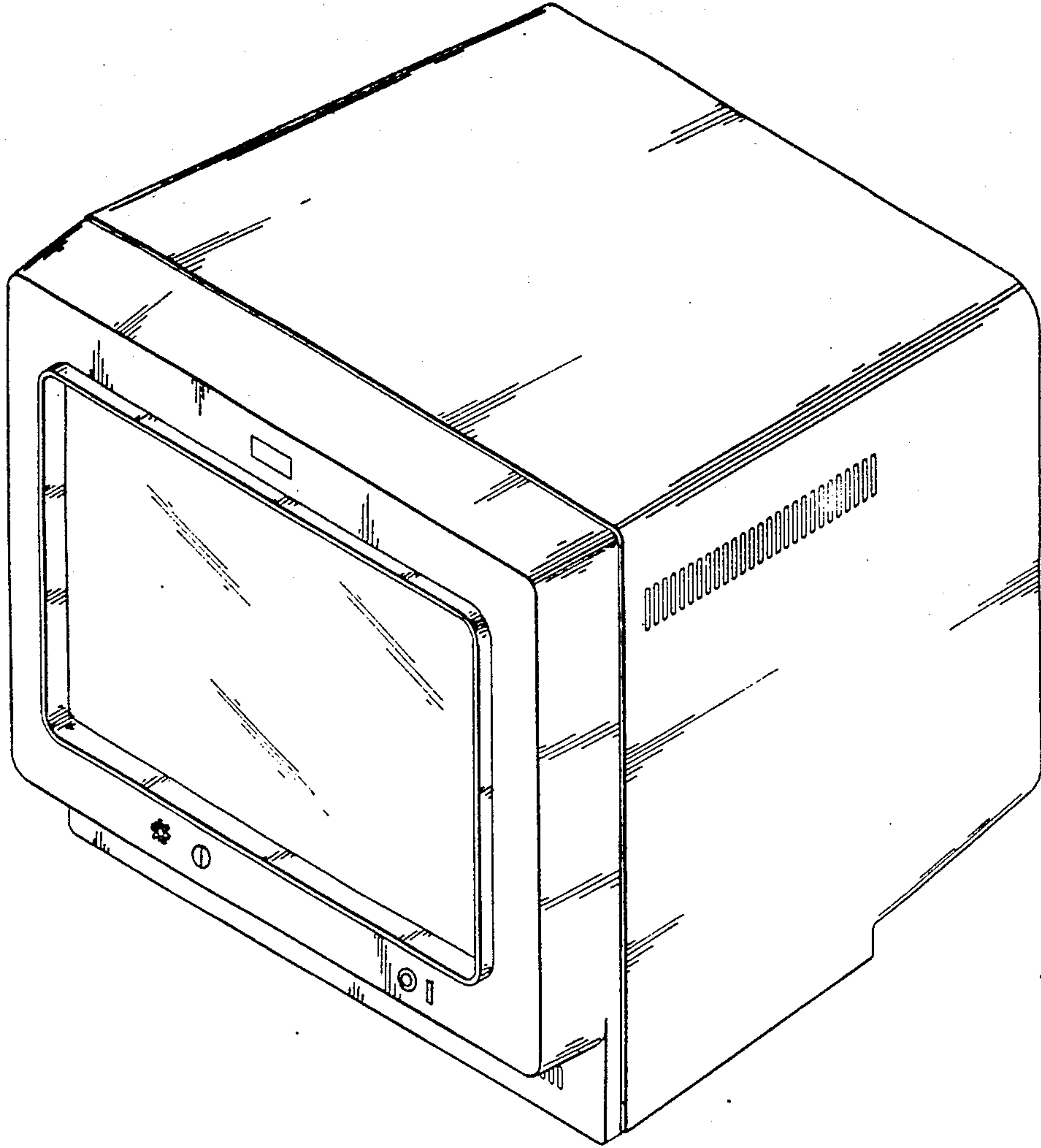


FIG. 1

FIG. 2

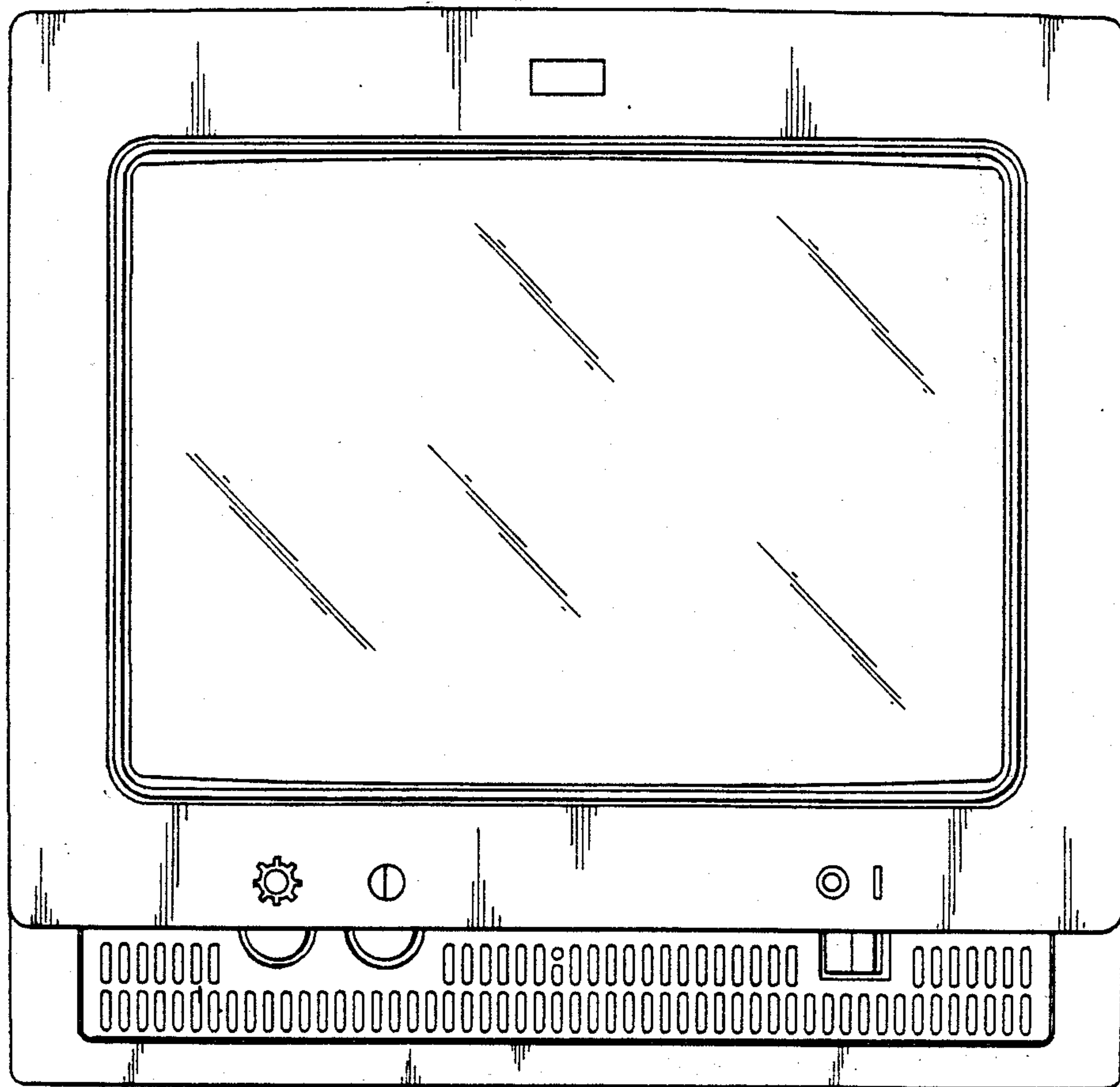


FIG. 3

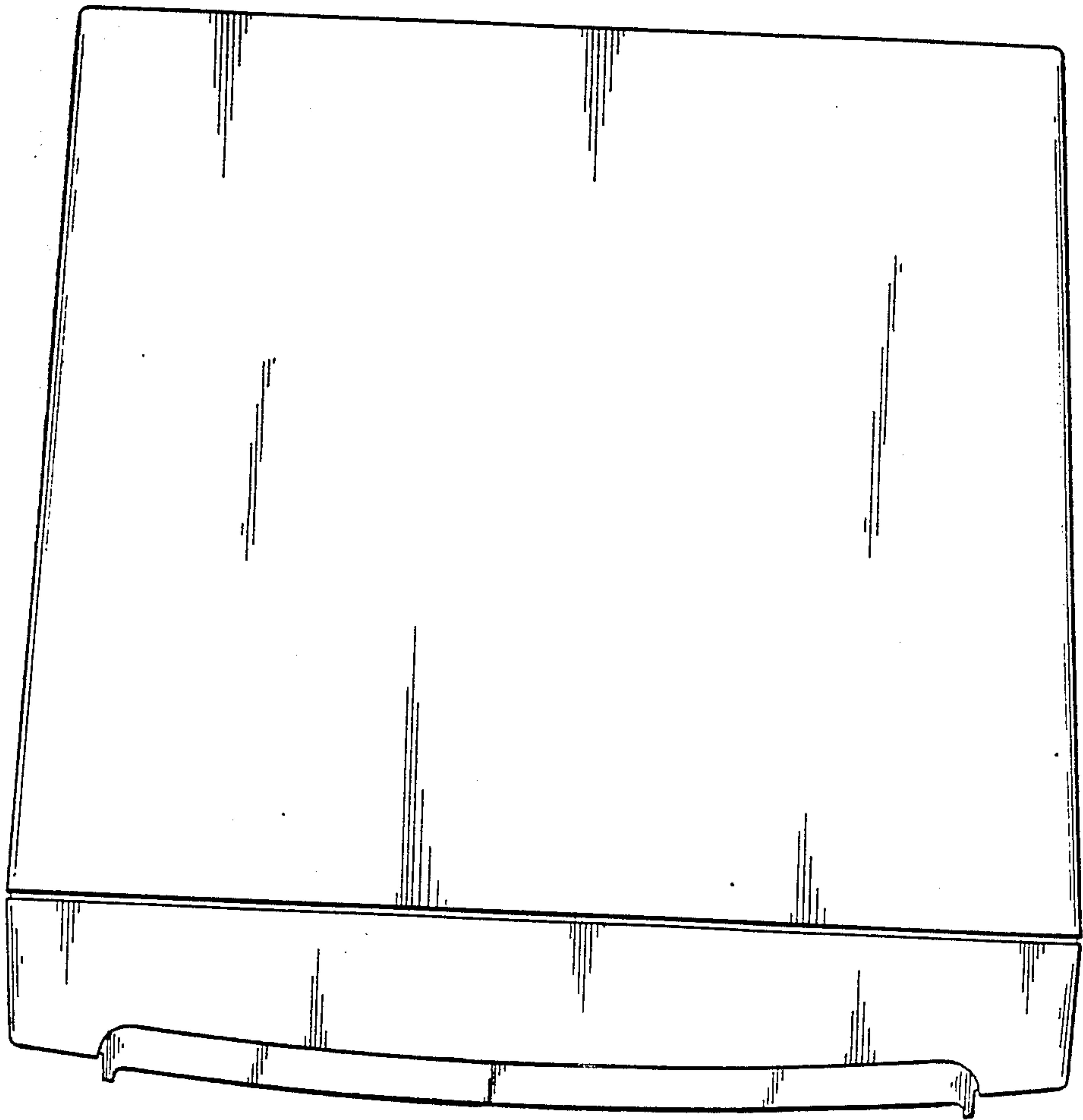


FIG. 4

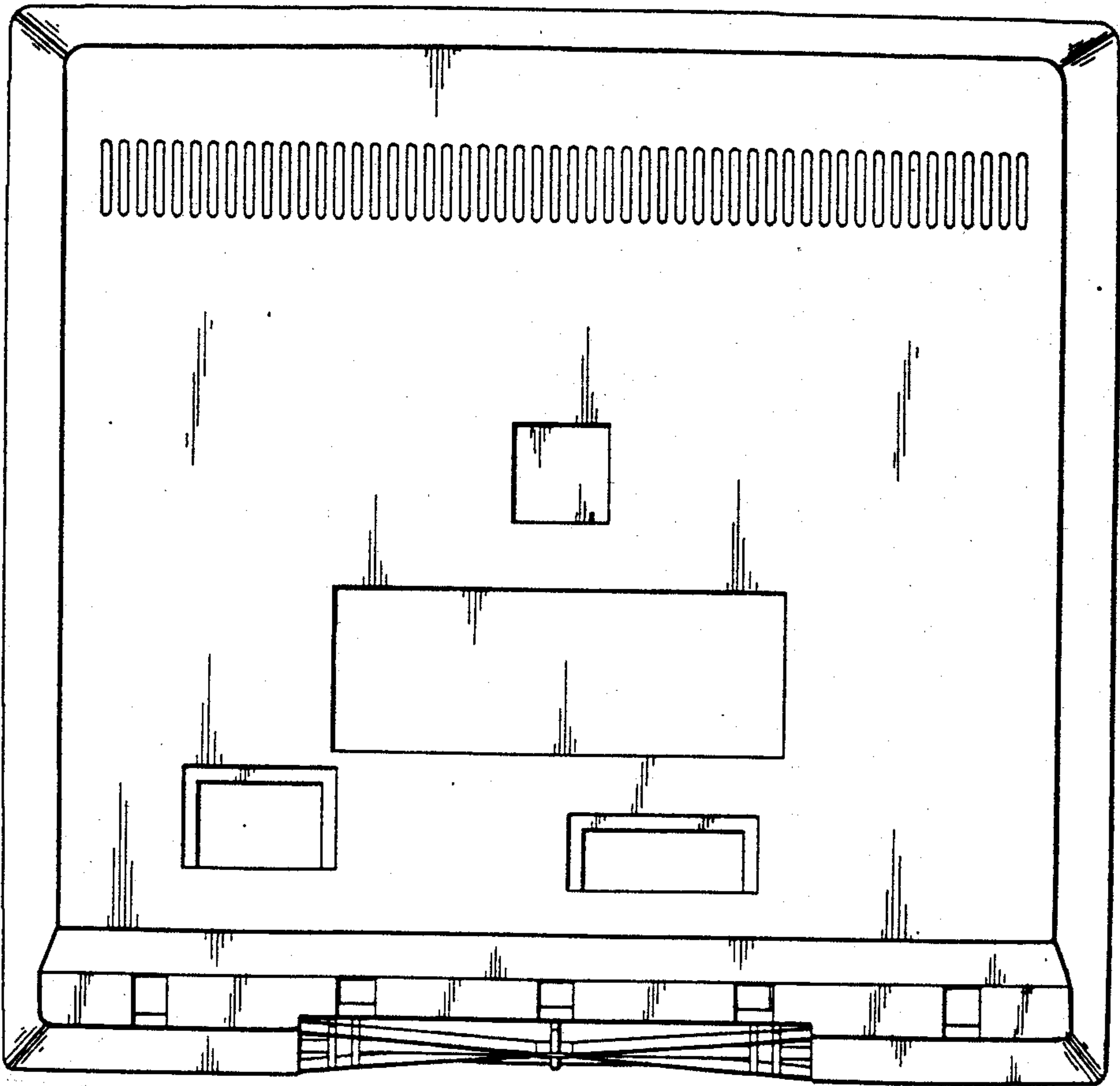


FIG. 5

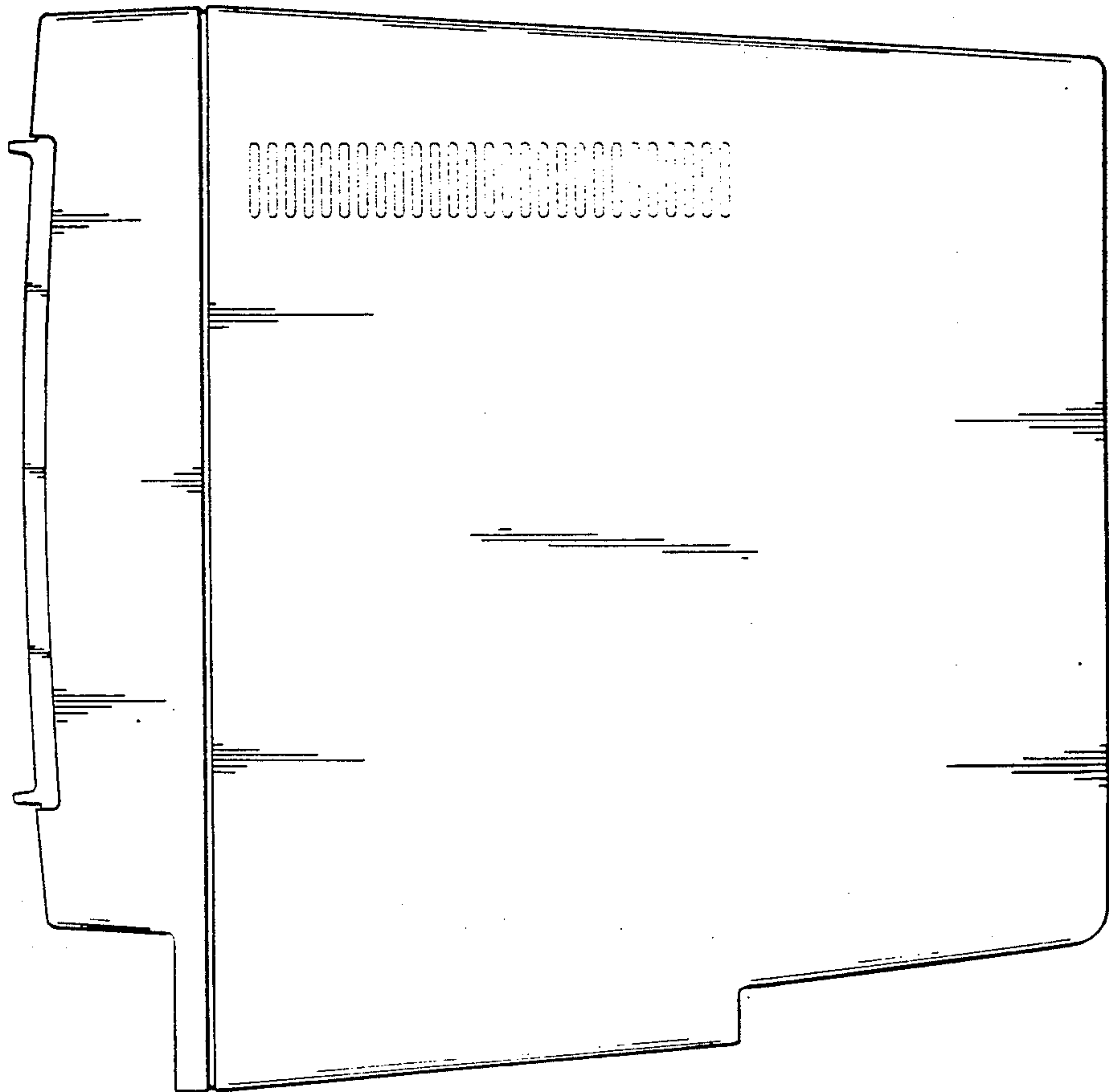




FIG. 6

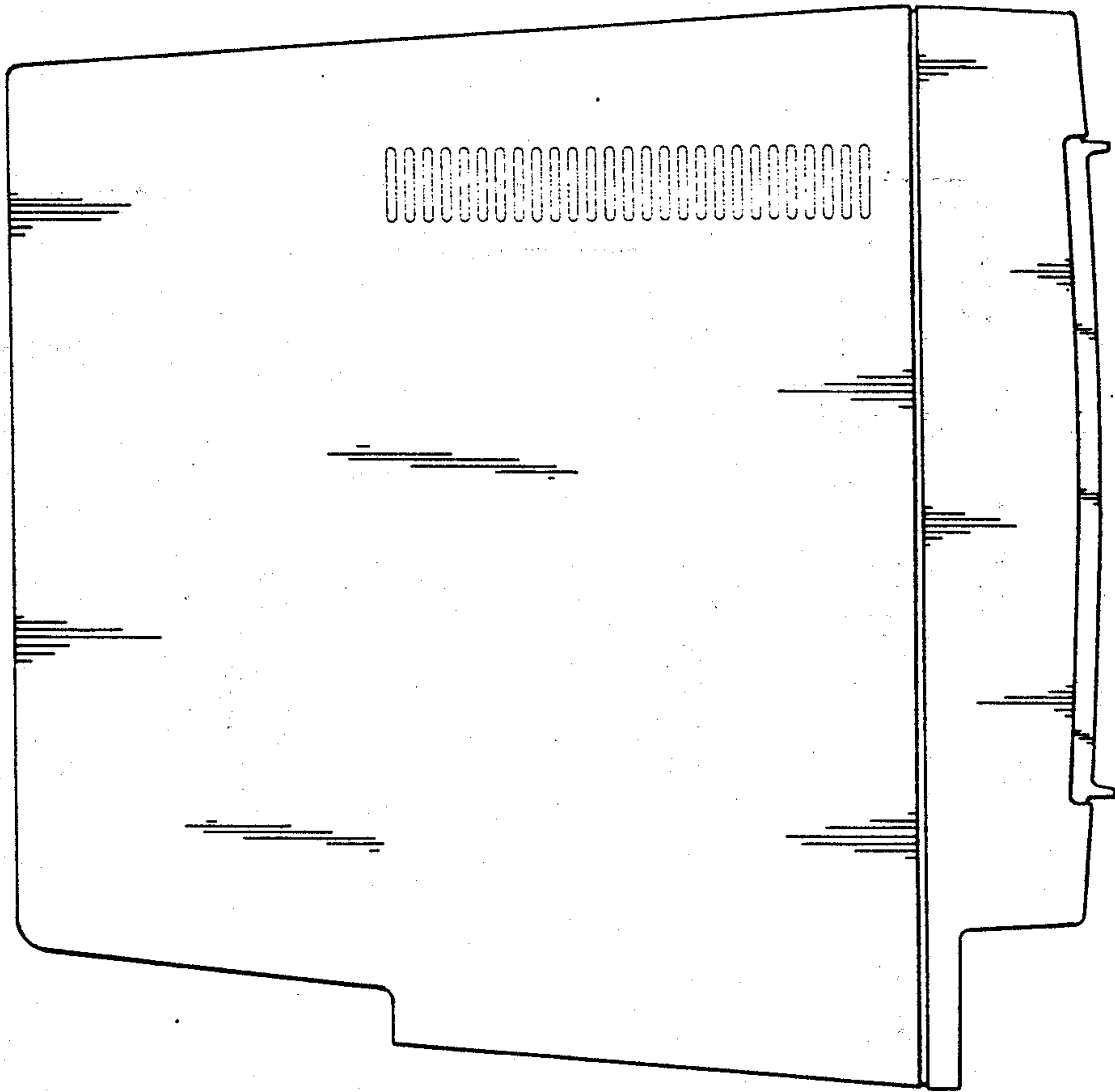


FIG. 7

