

[54] **BOAT**

[75] **Inventors:** Forrest L. Wood, Flippin; Dale H. Jensen, Everton; Kenneth P. Poley, Yellville; Charles C. Hoover; Gary L. Wilson, both of Bull Shoals, all of Ark.

[73] **Assignee:** Wood Manufacturing Company, Inc., Flippin, Ark.

[**] **Term:** 14 Years

[21] **Appl. No.:** 763,964

[22] **Filed:** Aug. 9, 1985

[52] **U.S. Cl.** D12/314; D12/300

[58] **Field of Search** D12/300, 310, 311, 312, D12/313, 314, 315; 114/345, 352, 353, 355

[56] **References Cited**
PUBLICATIONS

Wood Manufacturing Co. Inc. brochure, Ranger 330. Pro-line, p. 1, The 20 Sport Fisherman Delivers, (middle).

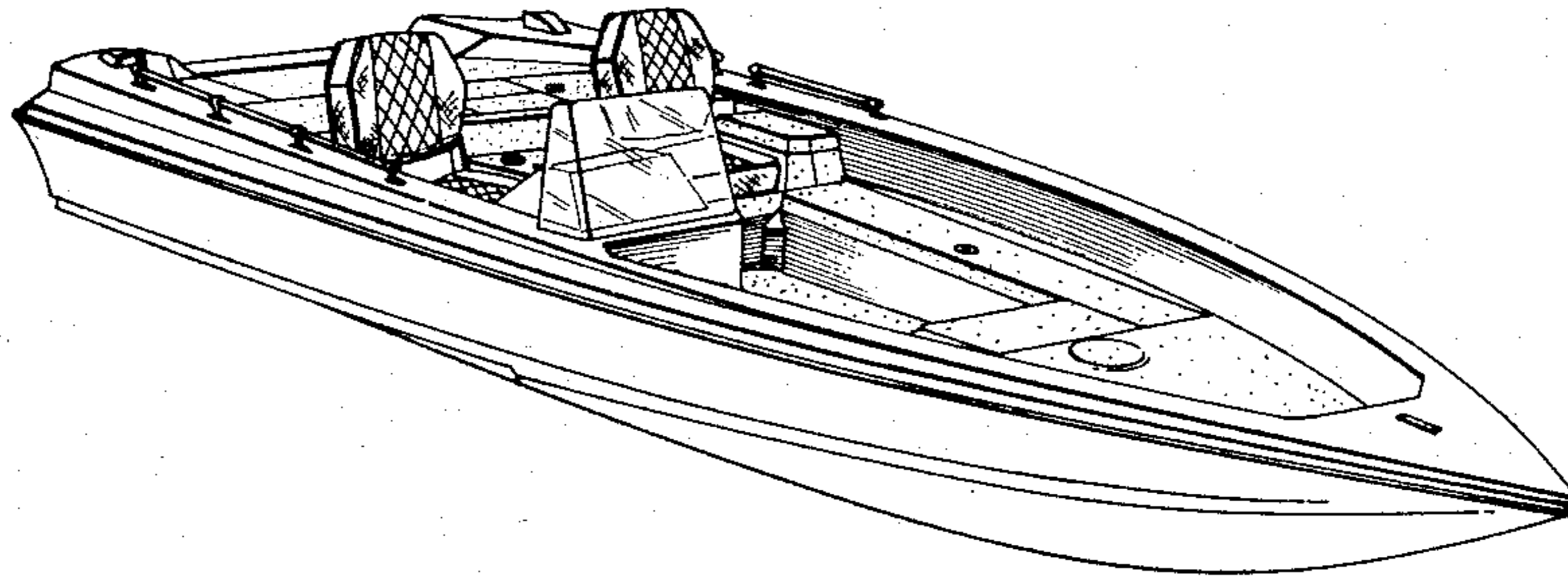
Primary Examiner—James M. Gandy
Assistant Examiner—Kay H. Chin
Attorney, Agent, or Firm—Colton & Stone, Inc.

[57] **CLAIM**

The ornamental design for a boat, substantially as shown and described.

DESCRIPTION

FIG. 1 is a perspective view of a boat showing our new design;
FIG. 2 is a top plan view thereof;
FIG. 3 is a bottom plan view thereof;
FIG. 4 is an elevational view of the left side thereof, the right side being a mirror image of the left side;
FIG. 5 is a front elevational view thereof and
FIG. 6 is a rear elevational view thereof.



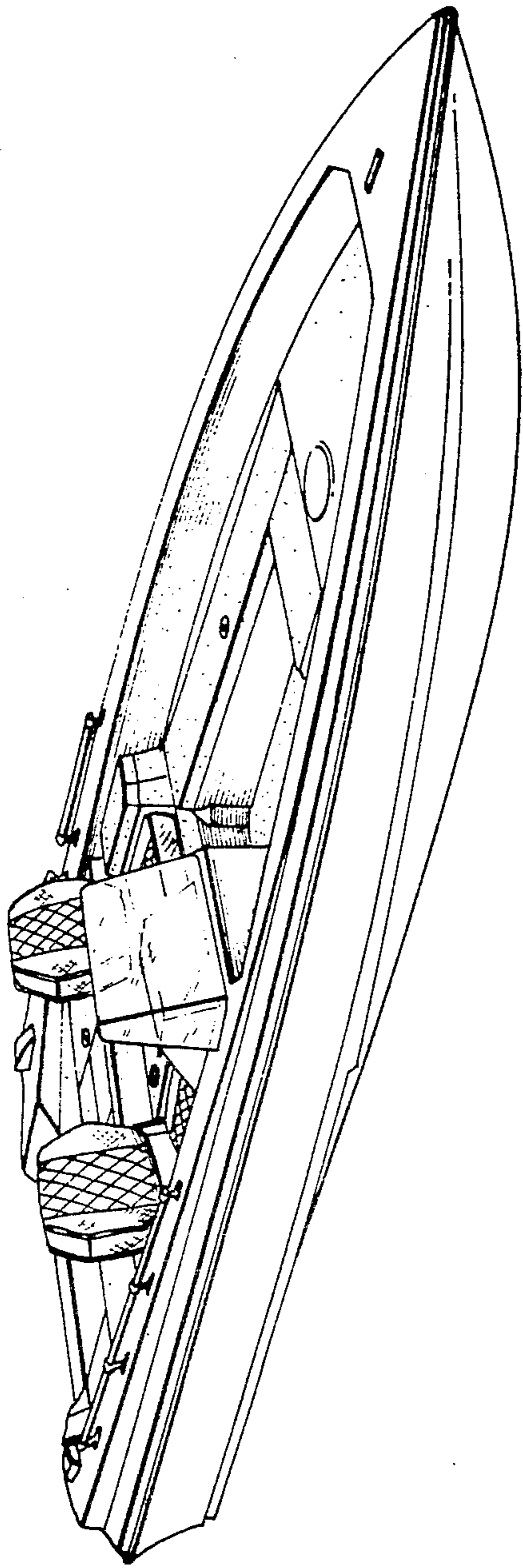


FIG. 1

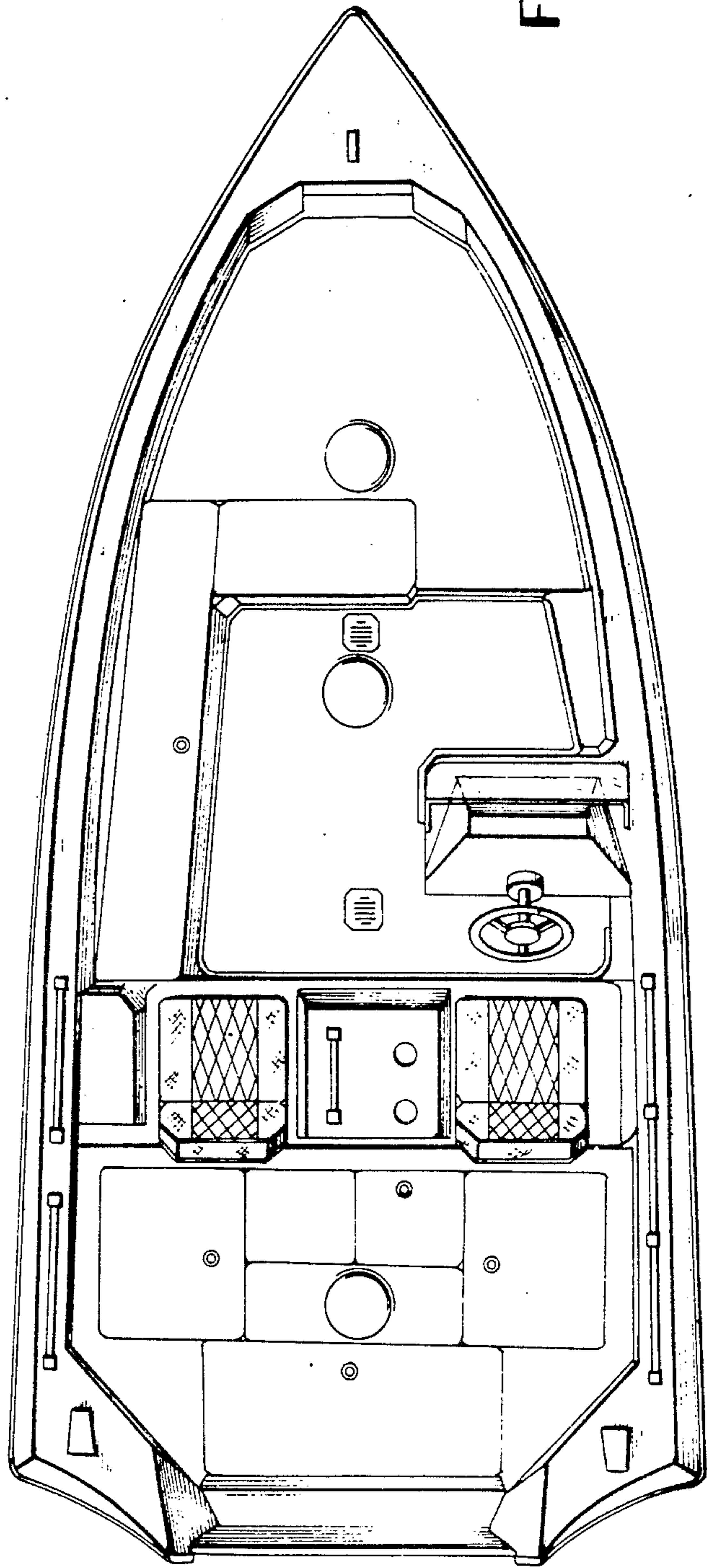


FIG. 2

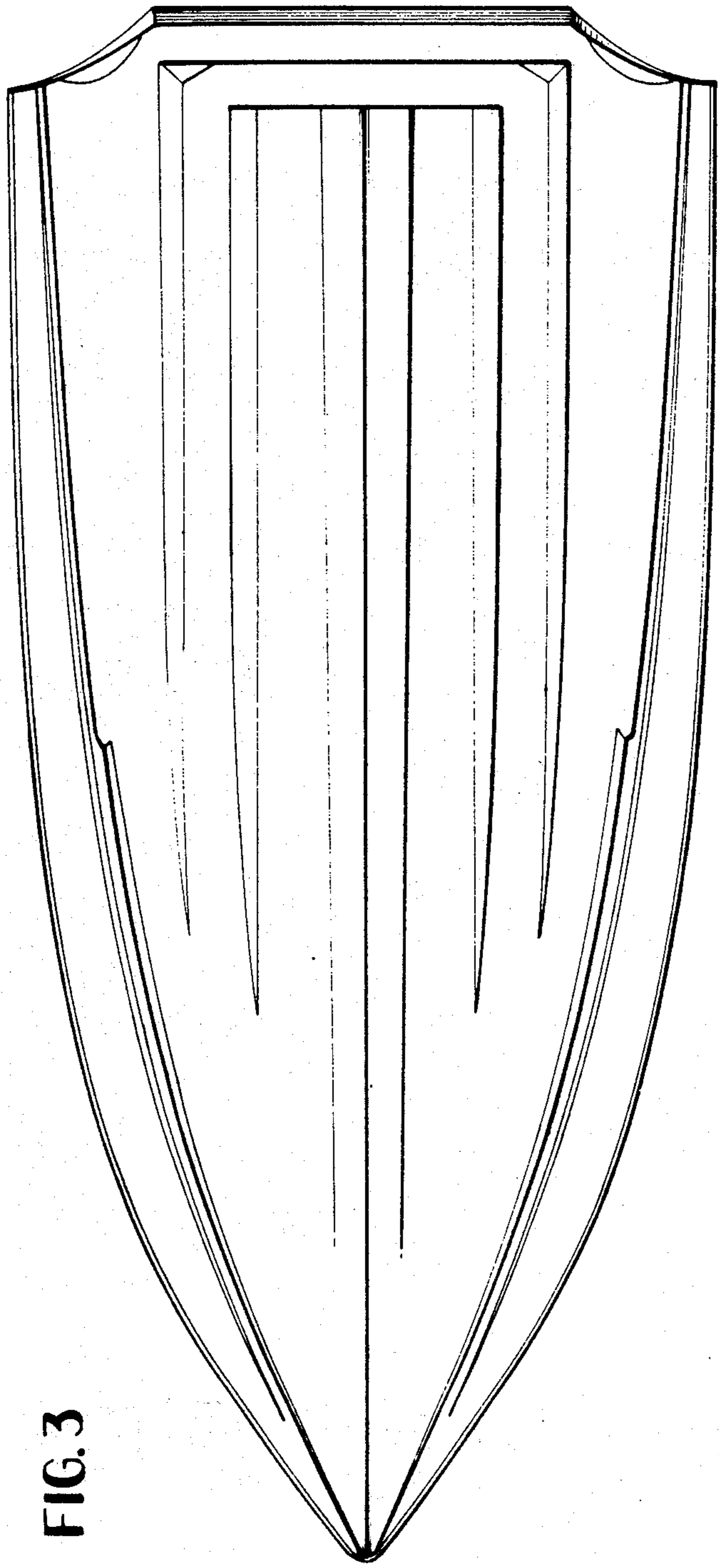


FIG. 3

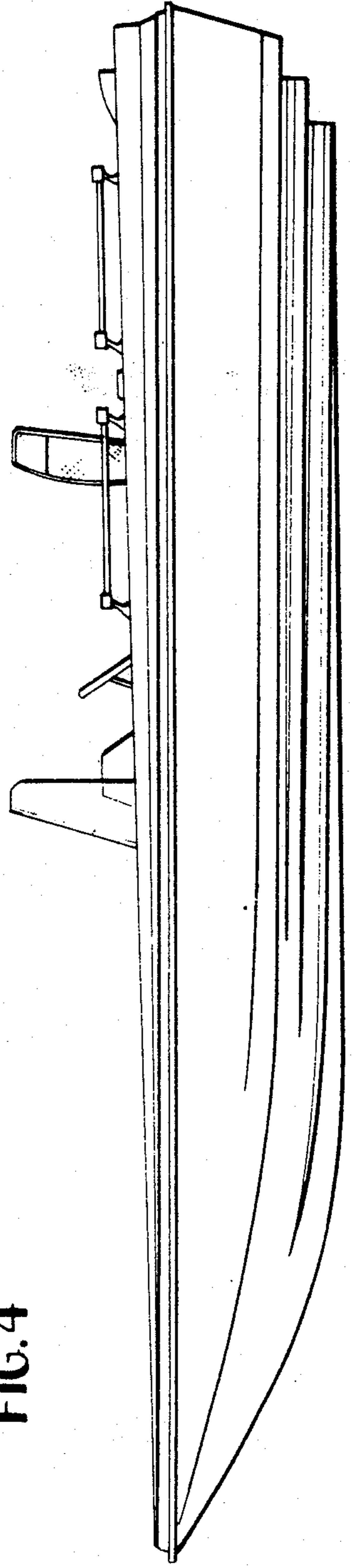


FIG. 4

FIG. 5

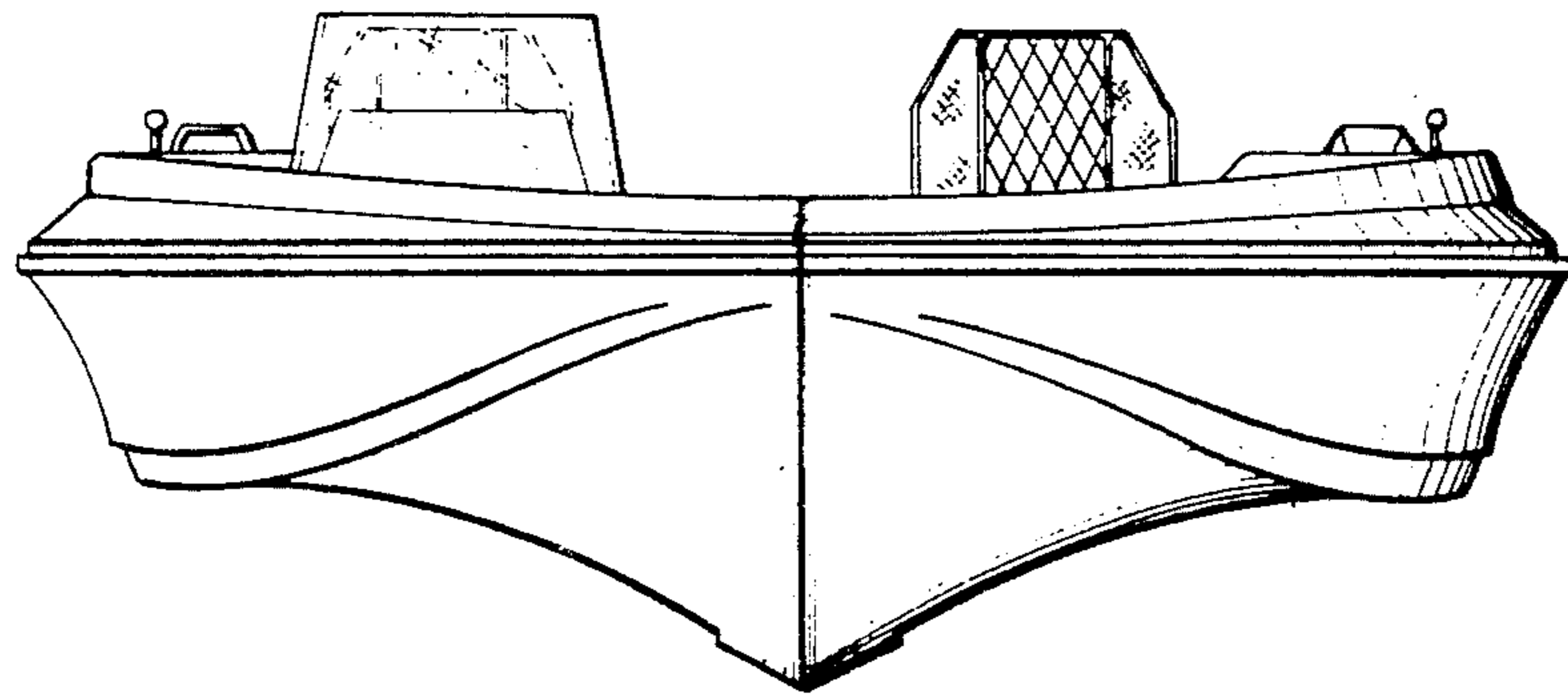


FIG. 6

