

[54] **VEHICLE WHEEL CENTER**

[75] **Inventor: Donald J. Reid, Plymouth, Mich.**

[73] **Assignee: Kelsey-Hayes Company, Romulus, Mich.**

[**] **Term: 14 Years**

[21] **Appl. No.: 764,825**

[22] **Filed: Aug. 12, 1985**

[52] **U.S. Cl. D12/209**

[58] **Field of Search D12/206, 209; 301/37 R, 301/63 R, 64 R, 64 SD, 65**

[56] **References Cited**

U.S. PATENT DOCUMENTS

- D. 253,884 1/1980 Giugiaro D12/209
- D. 268,105 3/1983 Schinella D12/211
- D. 285,675 9/1986 Chandler D12/209

Primary Examiner—James M. Gandy
Attorney, Agent, or Firm—Ralph J. Skinkiss; David L. Kuhn

[57] **CLAIM**

The ornamental design for a vehicle wheel center, as shown and described.

DESCRIPTION

FIG. 1 is a front elevational view of a vehicle wheel center showing my new design.

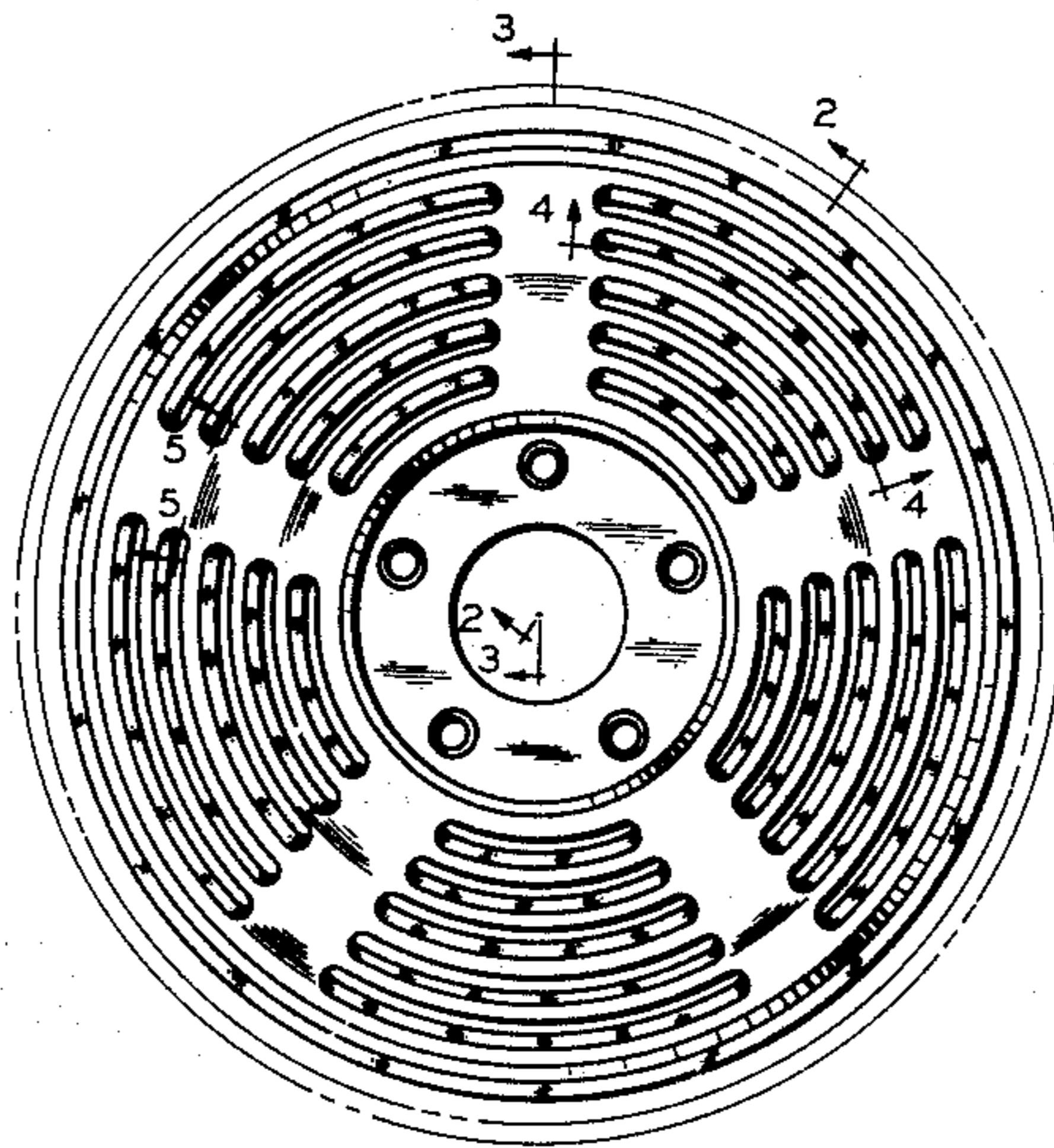
FIG. 2 is a sectional view taken along line 2—2 in FIG. 1.

FIG. 3 is a sectional view taken along line 3—3 in FIG. 1.

FIG. 4 is a sectional view taken along line 4—4 in FIG. 1.

FIG. 5 is a sectional view taken along line 5—5 in FIG. 1.

The broken lines in the drawing are for illustrative purposes only and form no part of the claimed design.



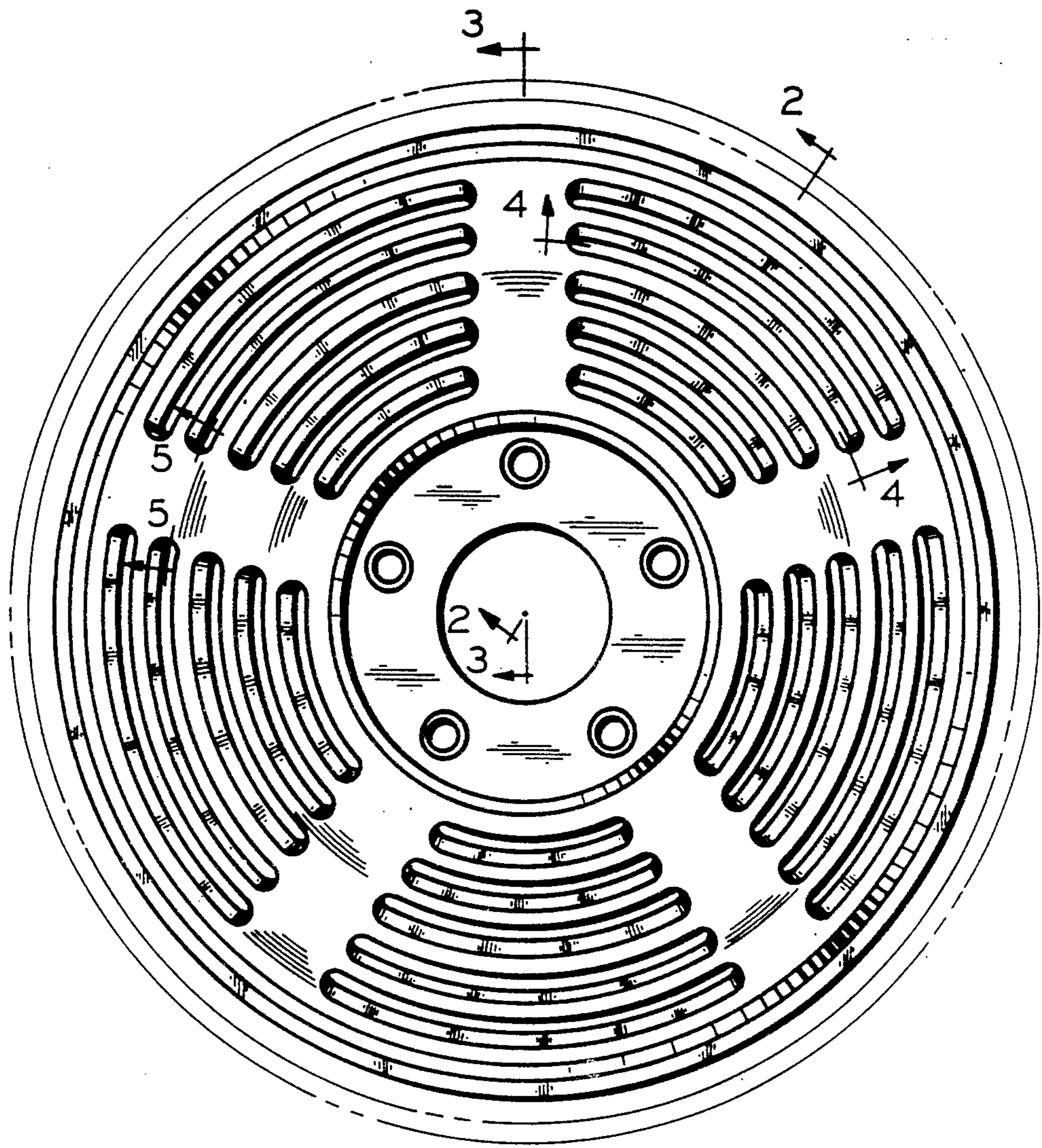


FIG. 1

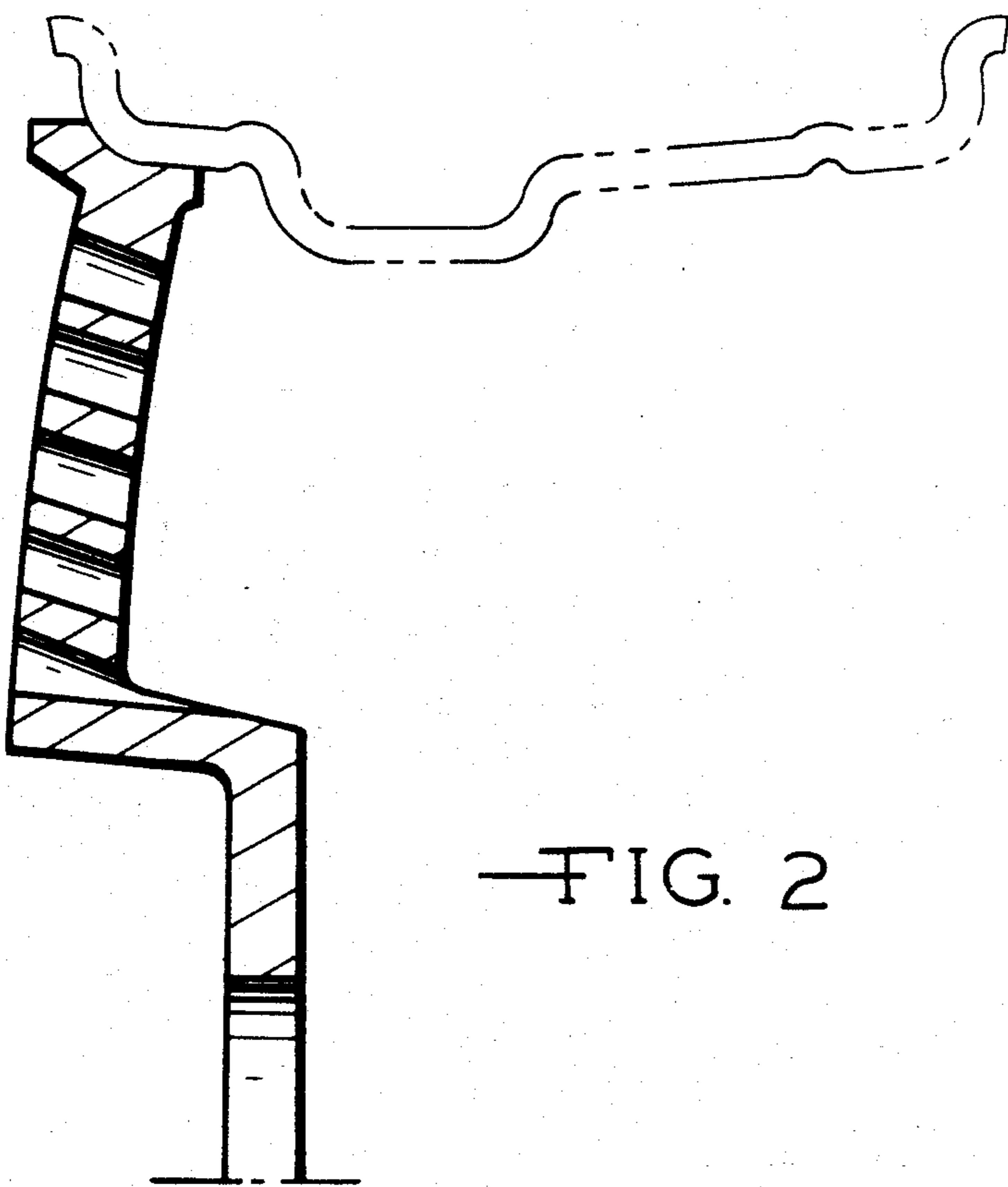


FIG. 2

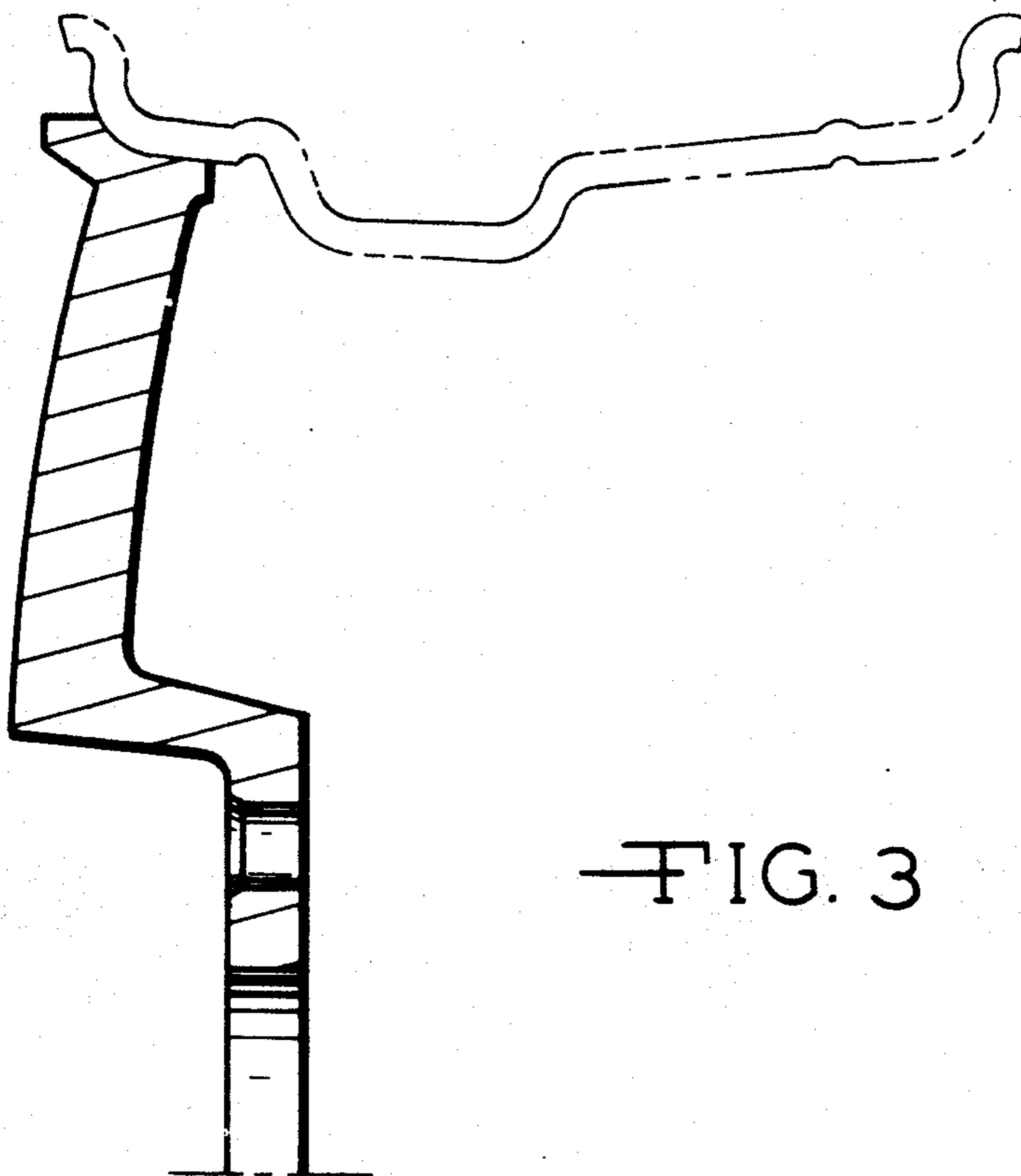


FIG. 3



FIG. 4



FIG. 5