

[54] LICENSE PLATE FRAME

[76] Inventor: James C. Yates, 1091 NE. Sunrise La., Hillsboro, Oreg. 97123

[**] Term: 14 Years

[21] Appl. No.: 725,784

[22] Filed: Apr. 22, 1985

[52] U.S. Cl. D12/193

[58] Field of Search D12/193; 40/200, 204, 40/205, 208, 209

[56] References Cited

U.S. PATENT DOCUMENTS

2,579,230 12/1951 Giboney D12/193

OTHER PUBLICATIONS

J. C. Whitney Catalog No. 451 D, ©1984, p. 114, Li-

cence Plate Frame with Illuminated Vehicle Name, center of page.

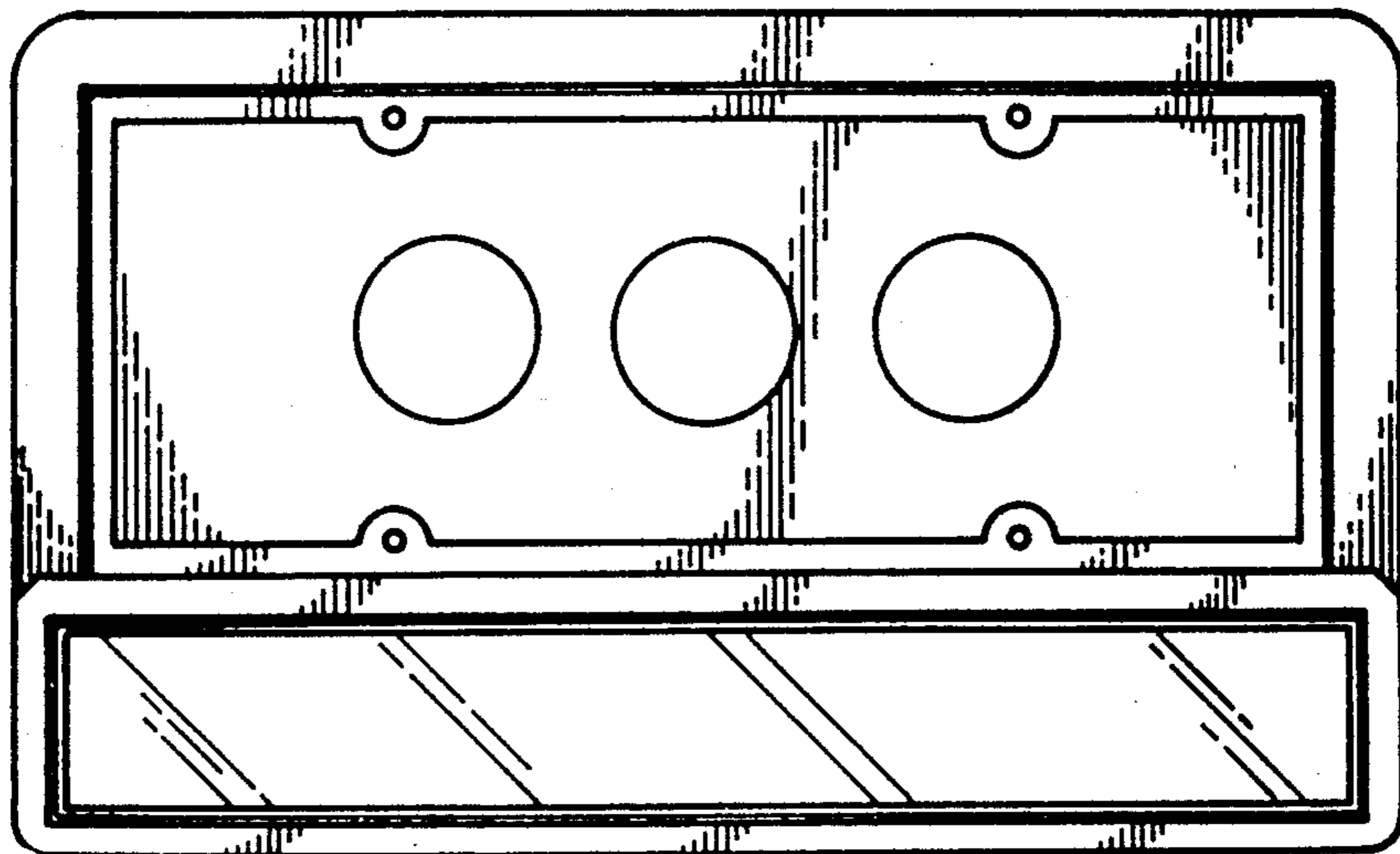
Primary Examiner—James M. Gandy
Attorney, Agent, or Firm—Don E. Ferrell

[57] CLAIM

The ornamental design for a license plate frame, as shown and described.

DESCRIPTION

FIG. 1 is a front elevational view of a license plate frame showing my new design; FIG. 2 is a rear elevational view thereof; FIG. 3 is a bottom plan view thereof; FIG. 4 is a top plan view thereof; and FIG. 5 is an end elevational view thereof it being understood that the opposite end is a mirror image of that shown.



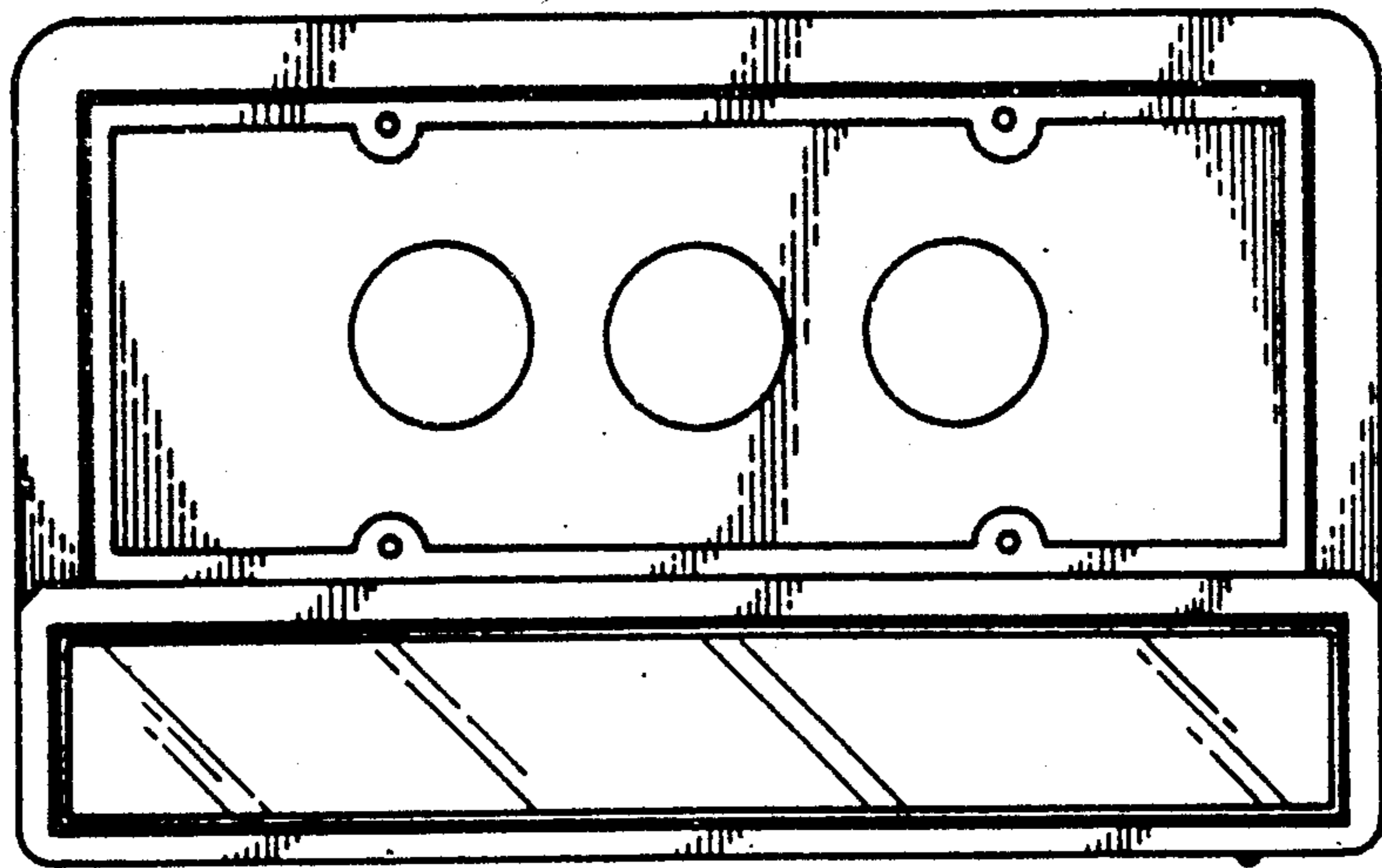


Fig. 1

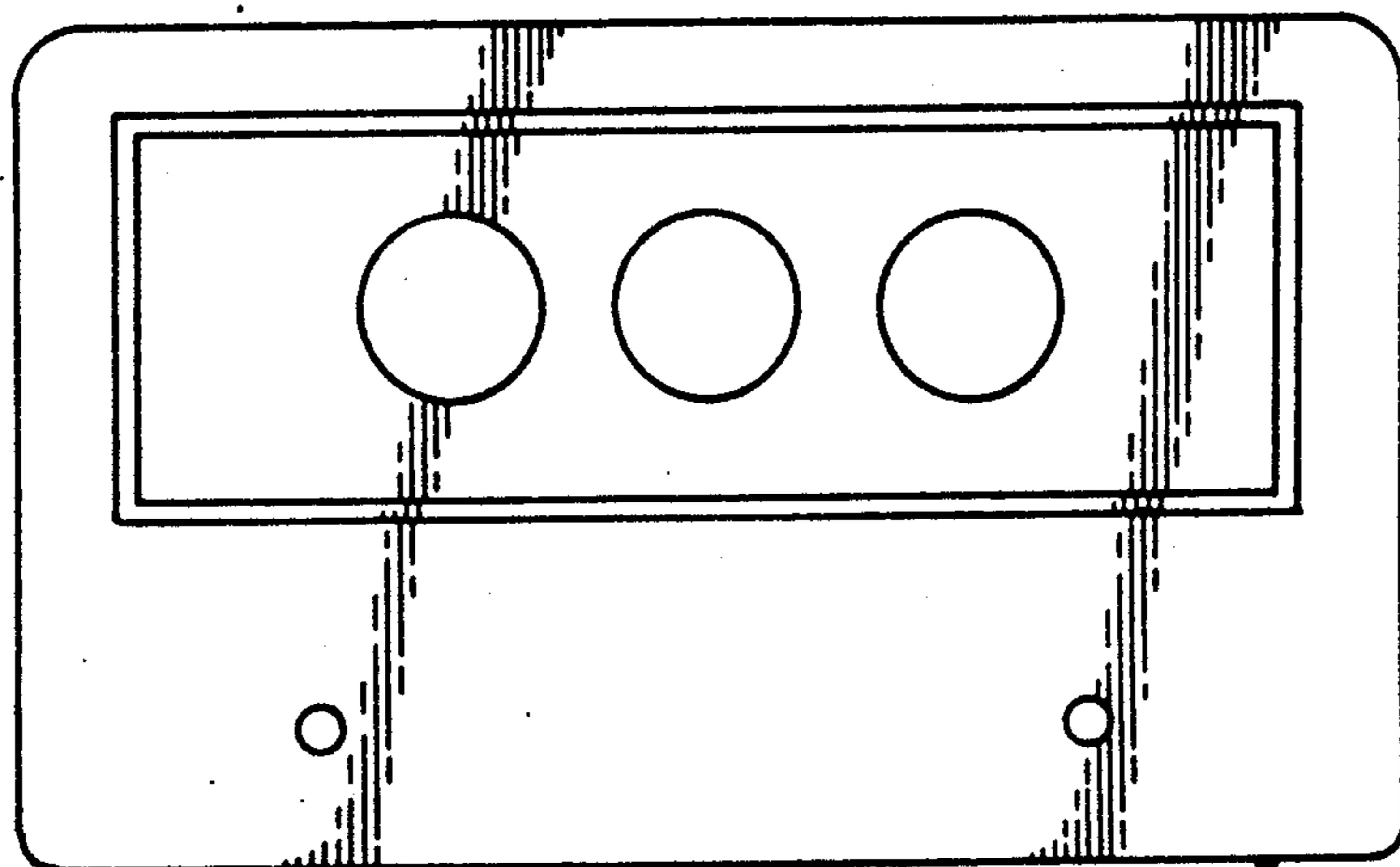


Fig. 2

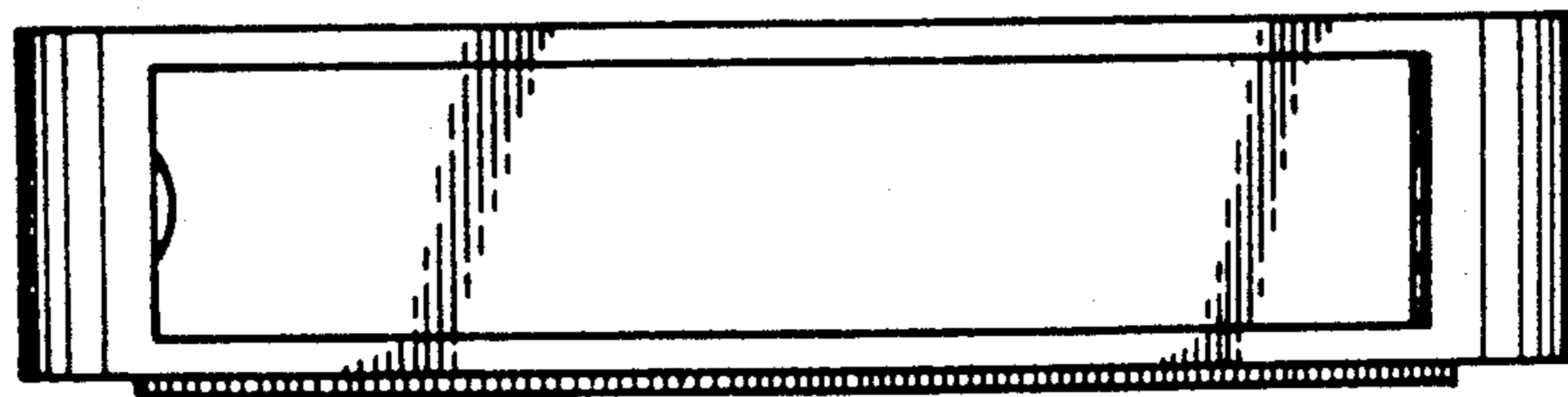


Fig. 3

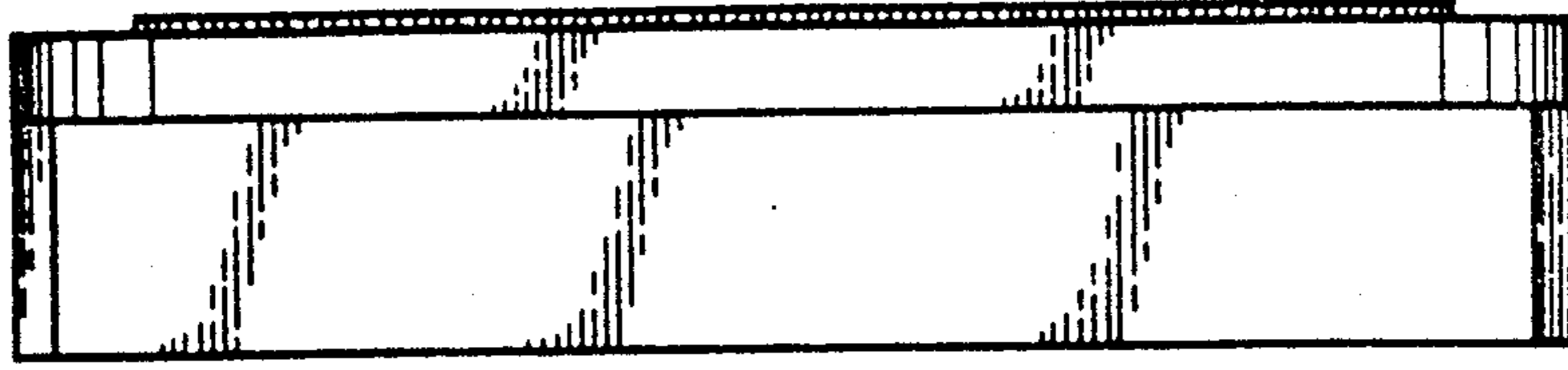


Fig. 4

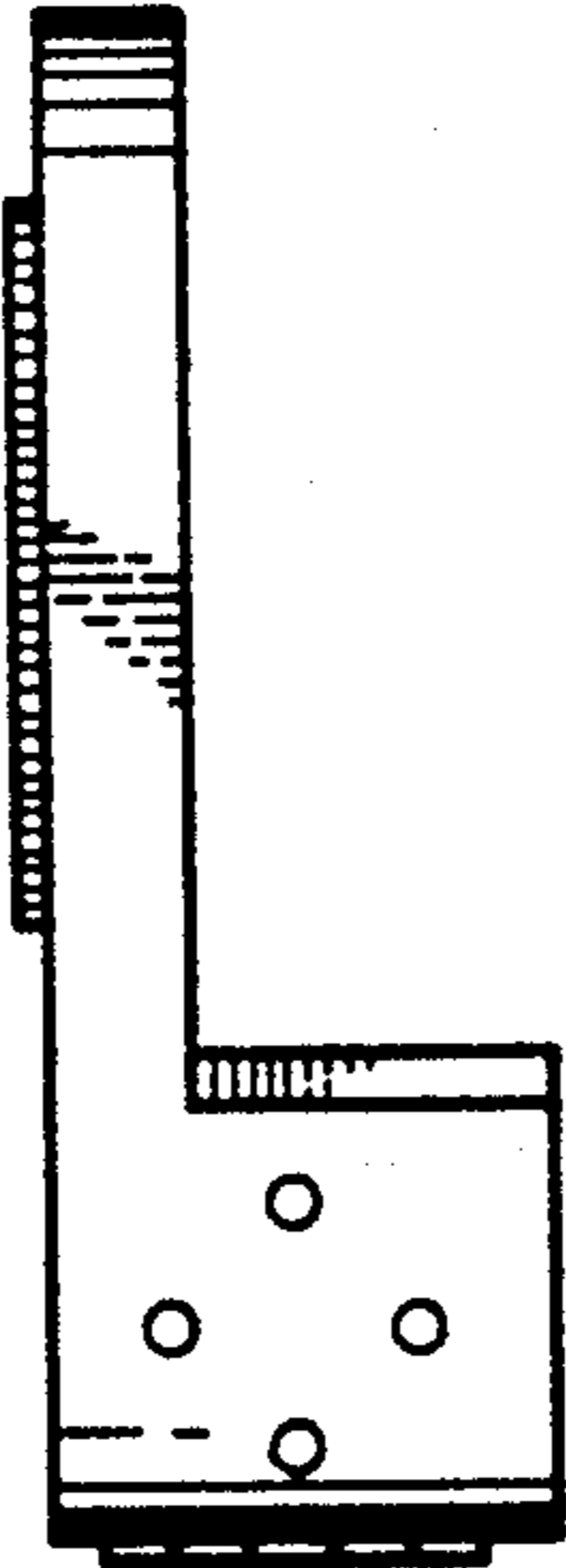


Fig. 5