

[54] SUN DEFLECTOR FOR MOUNTING TO A VEHICLE INTERIOR REAR VIEW MIRROR

[76] Inventor: Stephen R. Stone, P.O. Box 818, 160 Tom Hickman, Malakoff, Tex. 75148

[**] Term: 14 Years

[21] Appl. No.: 694,271

[22] Filed: Jan. 24, 1985

[52] U.S. Cl. D12/191; D12/187

[58] Field of Search D12/191, 188, 187; 296/97 R, 97 C, 97 G, 97 K; 160/DIG. 2, DIG. 3; 248/475.1

[56] References Cited

U.S. PATENT DOCUMENTS

1,531,017 3/1925 Miller 248/475.1
3,372,953 3/1968 Weaver 296/97 K

FOREIGN PATENT DOCUMENTS

479427 12/1951 Canada 296/97 C
475136 11/1937 United Kingdom 296/97 K

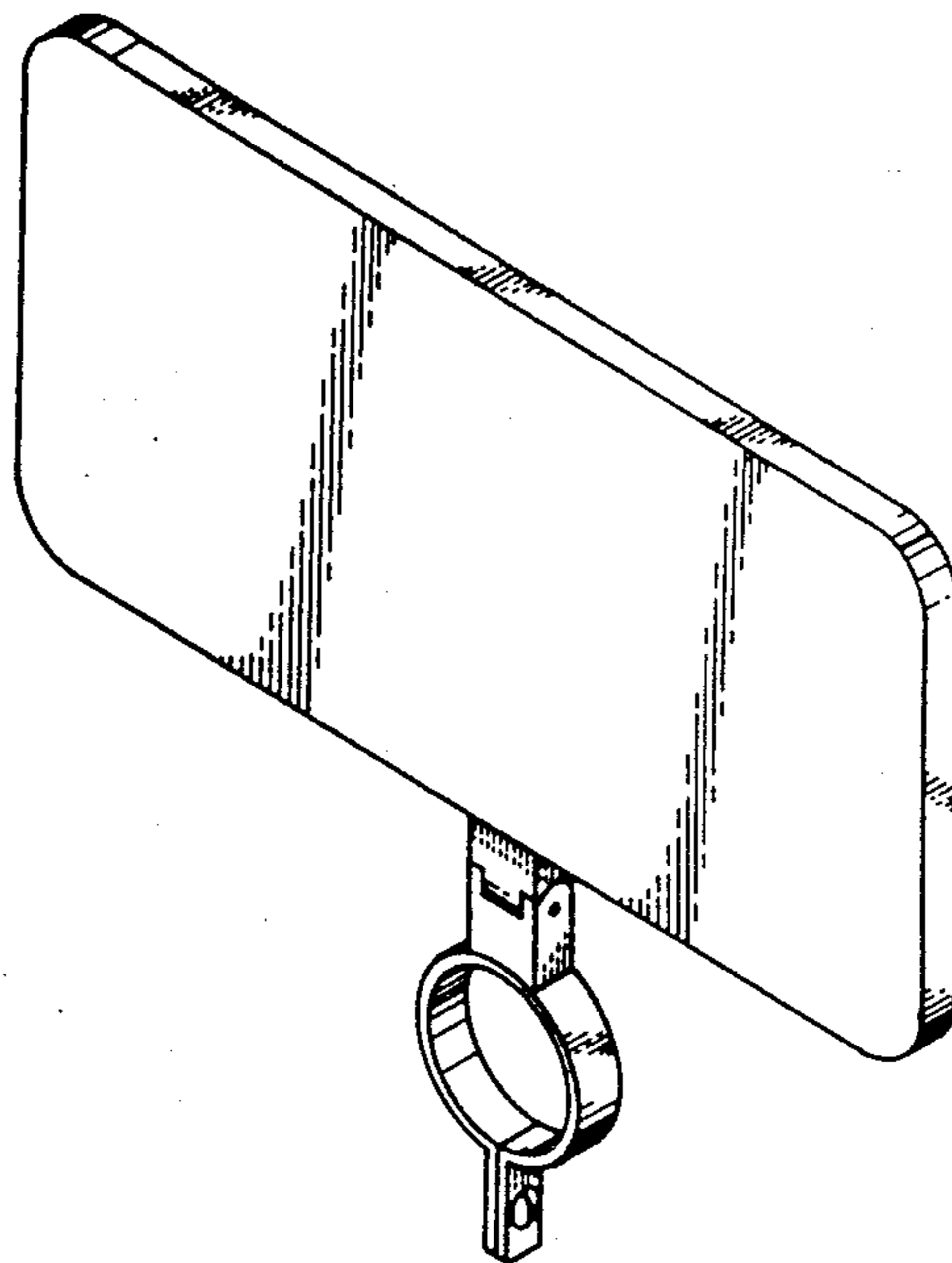
Primary Examiner—James M. Gandy
Attorney, Agent, or Firm—Don E. Ferrell

[57] CLAIM

The ornamental design for a sun deflector for mounting to a vehicle interior rear view mirror, as shown.

DESCRIPTION

FIG. 1 is a perspective view of a sun deflector for mounting to a vehicle interior rear view mirror showing my new design;
FIG. 2 is a right end elevation view thereof;
FIG. 3 is a rear elevation view thereof;
FIG. 4 is a top plan view thereof; and
FIG. 5 is a bottom plan view thereof.



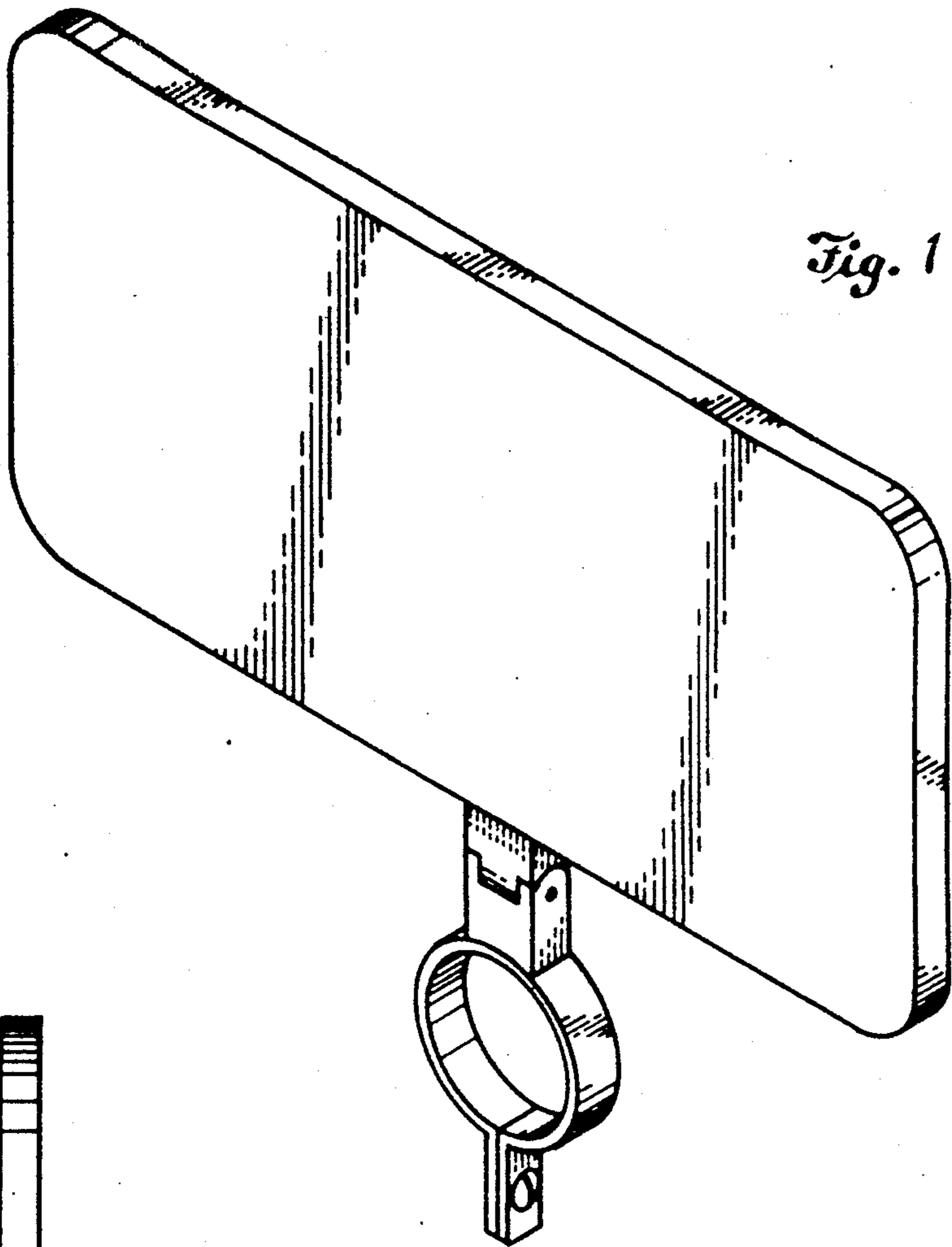


Fig. 1



Fig. 2

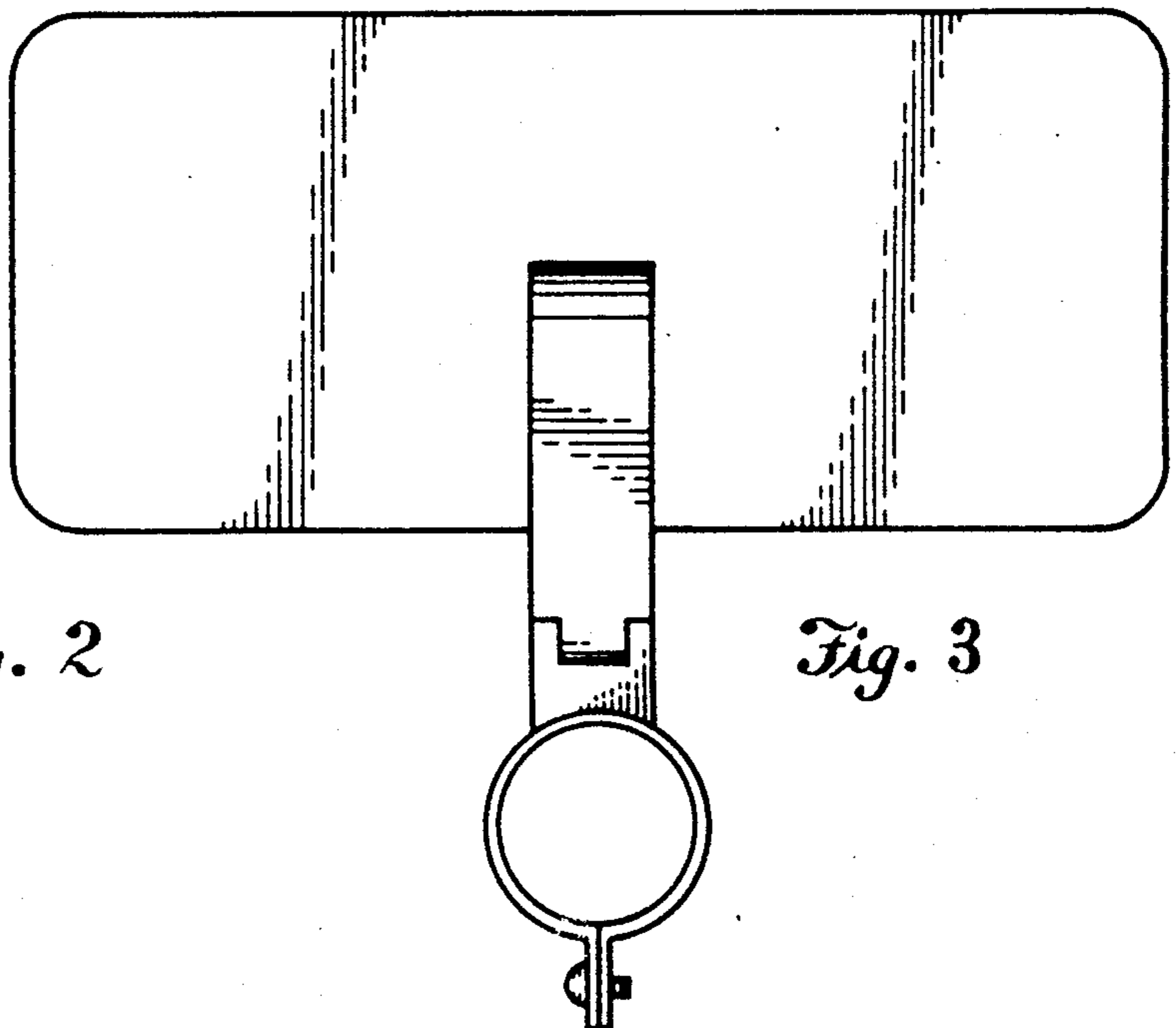


Fig. 3



Fig. 4



Fig. 5