

[54] REMOVABLE VEHICLE TOP

[76] Inventor: Charles E. Noble, P.O. Box 112, Minnie, Ky. 41651

[**] Term: 14 Years

[21] Appl. No.: 703,868

[22] Filed: Feb. 21, 1985

[52] U.S. Cl. D12/156

[58] Field of Search D12/156; D15/30; 296/190, 102, 103

[56] References Cited

U.S. PATENT DOCUMENTS

D. 267,487 1/1983 Ragsdale D12/156

OTHER PUBLICATIONS

J. C. Whitney Catalog No. 451D, ©1984, p. 54, Fast-

back Convertible Top for Jeep CJ5 & CJ7, center left side of page.

Primary Examiner—James M. Gandy
Attorney, Agent, or Firm—Don E. Ferrell

[57] CLAIM

The ornamental design for a removable vehicle top, as shown and described.

DESCRIPTION

FIG. 1 is a side elevational view of a removable vehicle top showing my new design it being understood that the opposite side is a mirror image thereof; FIG. 2 is a rear elevational view thereof; FIG. 3 is a front elevational view thereof; and FIG. 4 is a top plan view thereof.

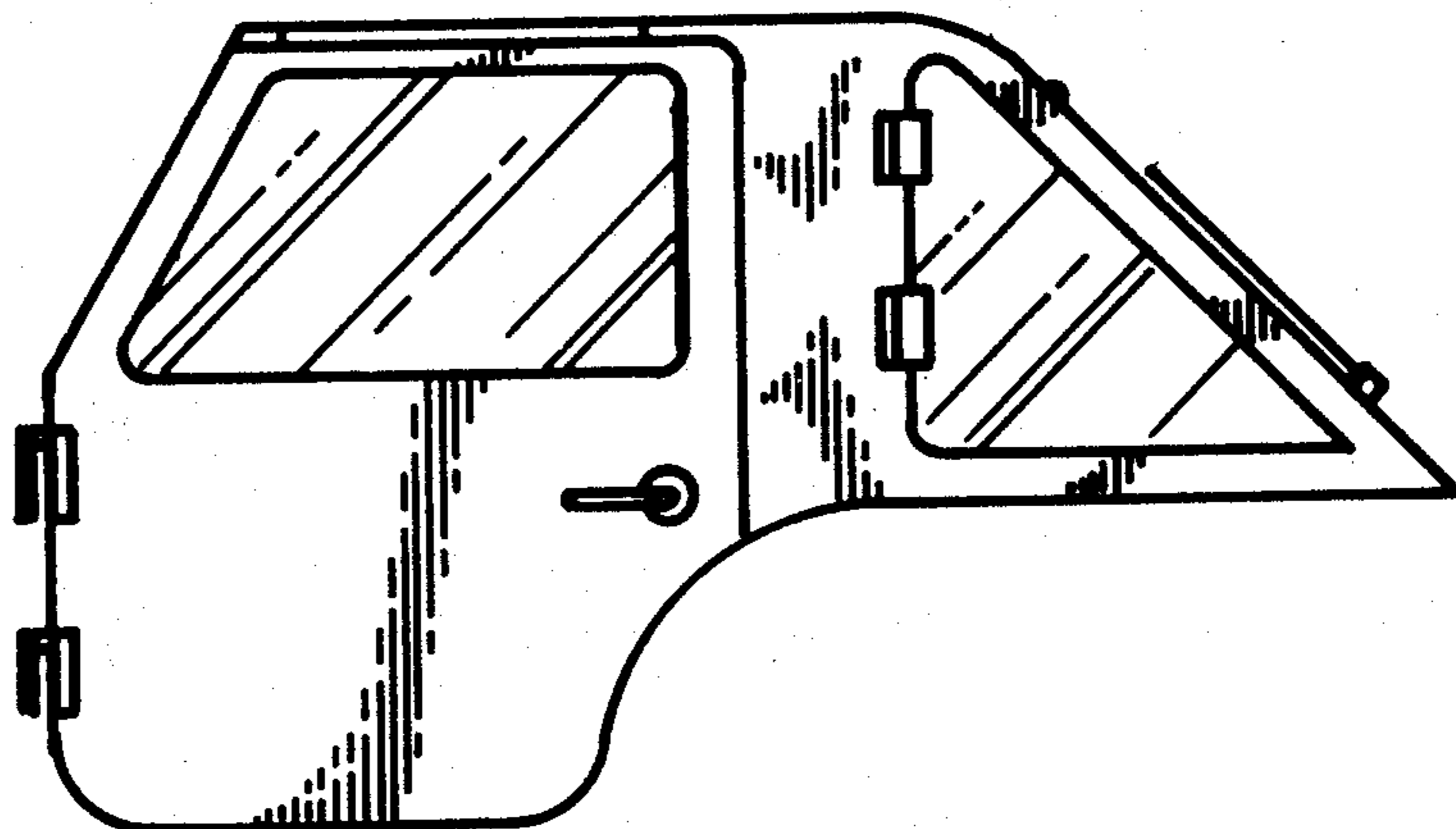


Fig. 1

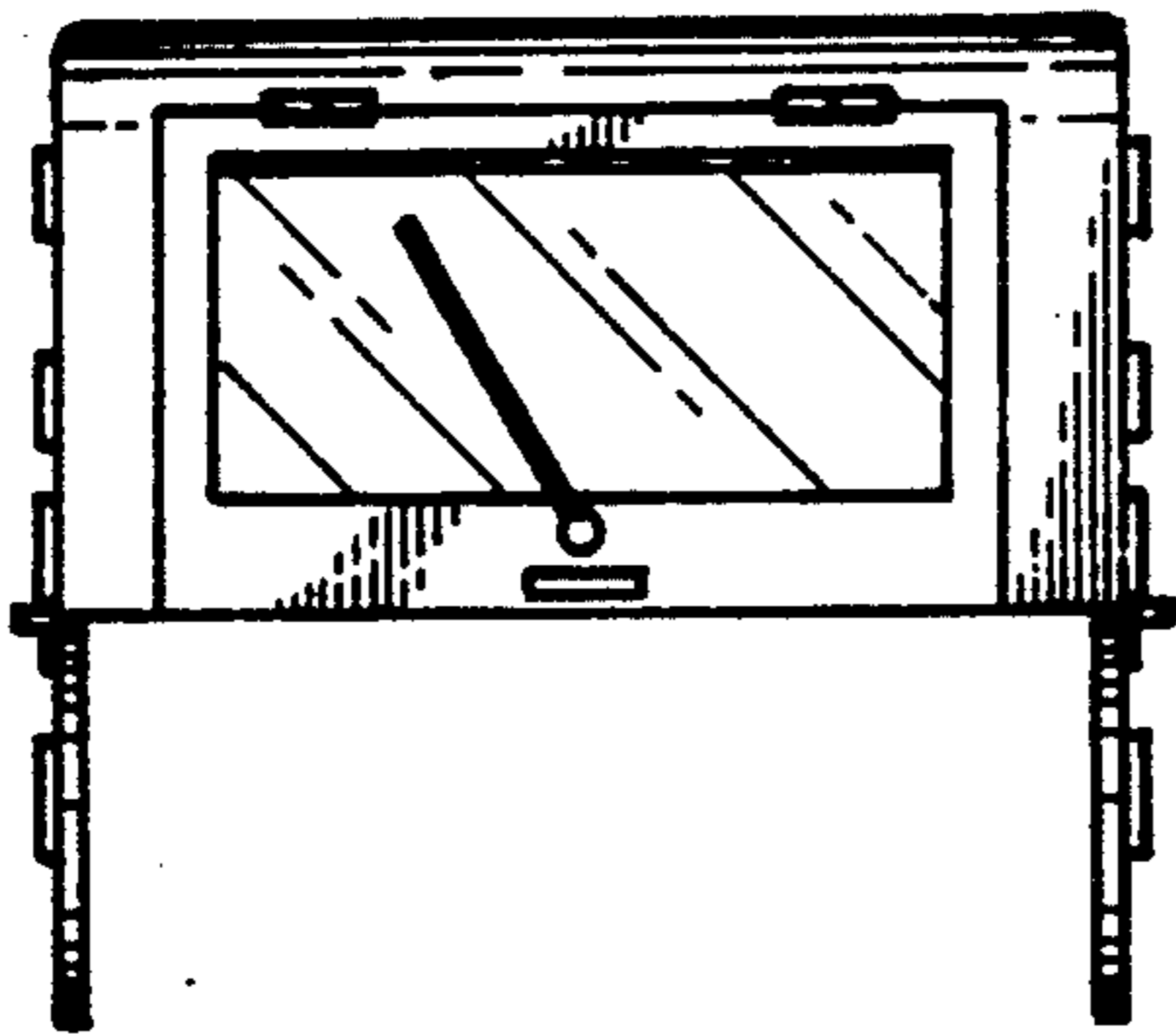
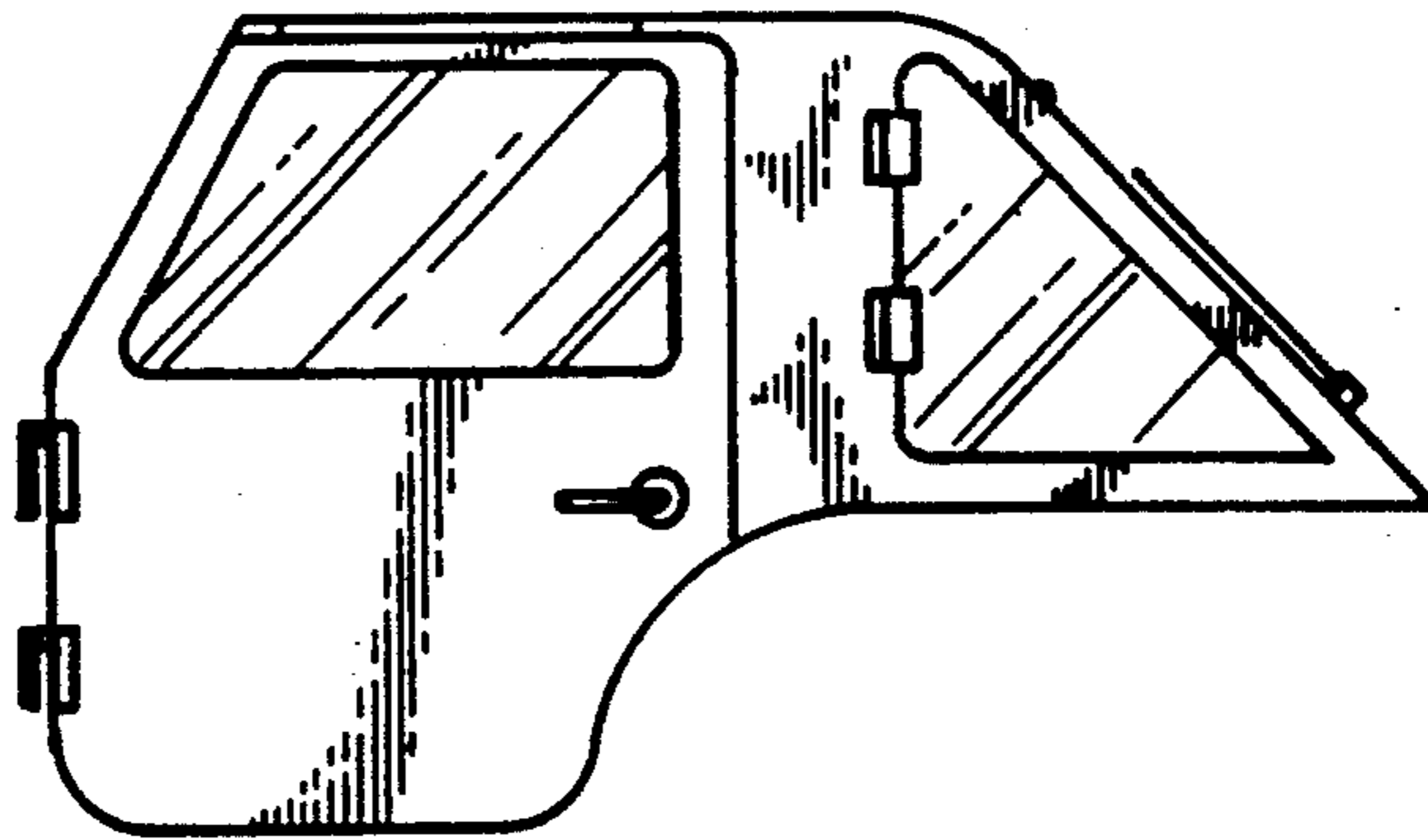


Fig. 2

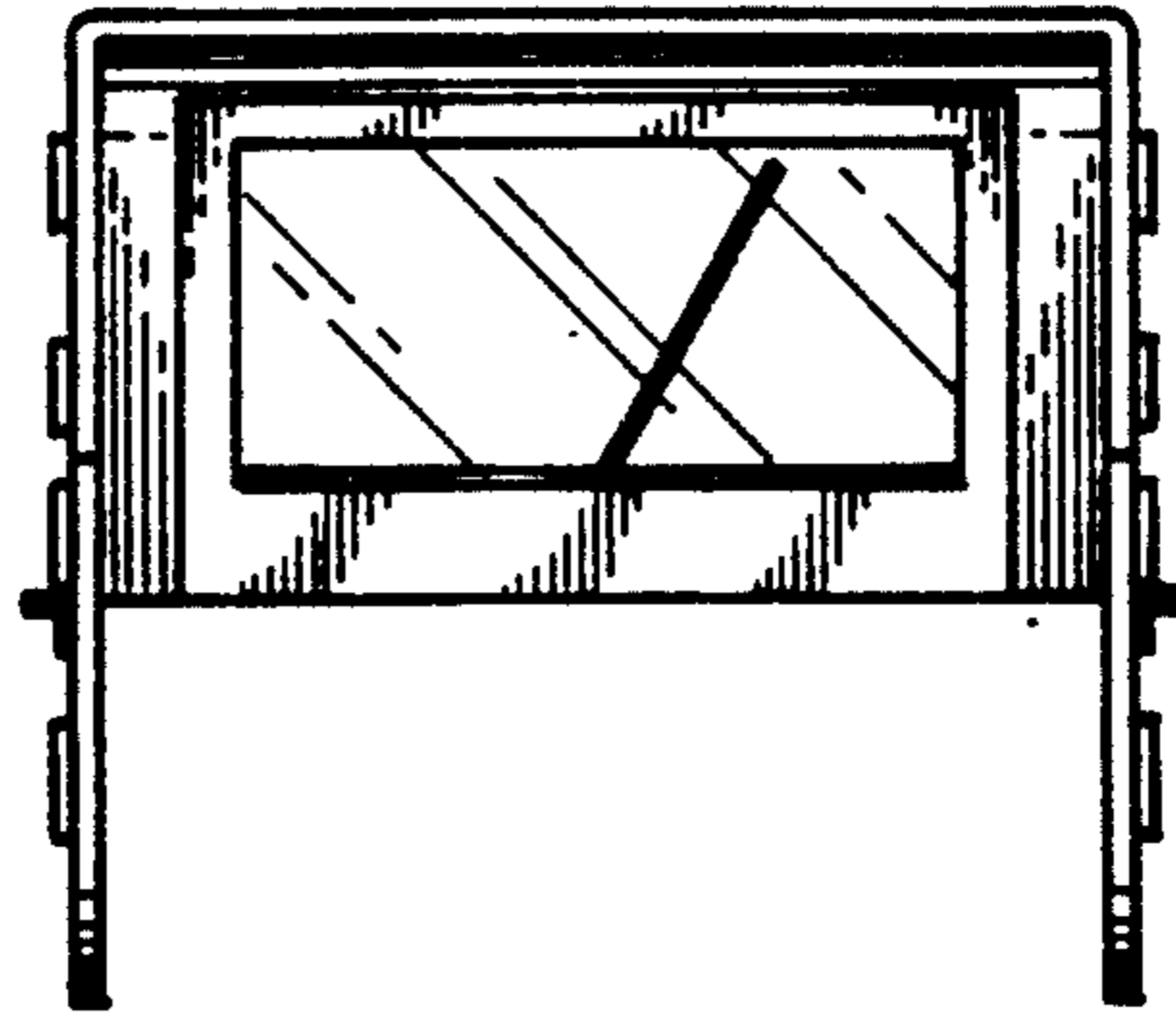


Fig. 3

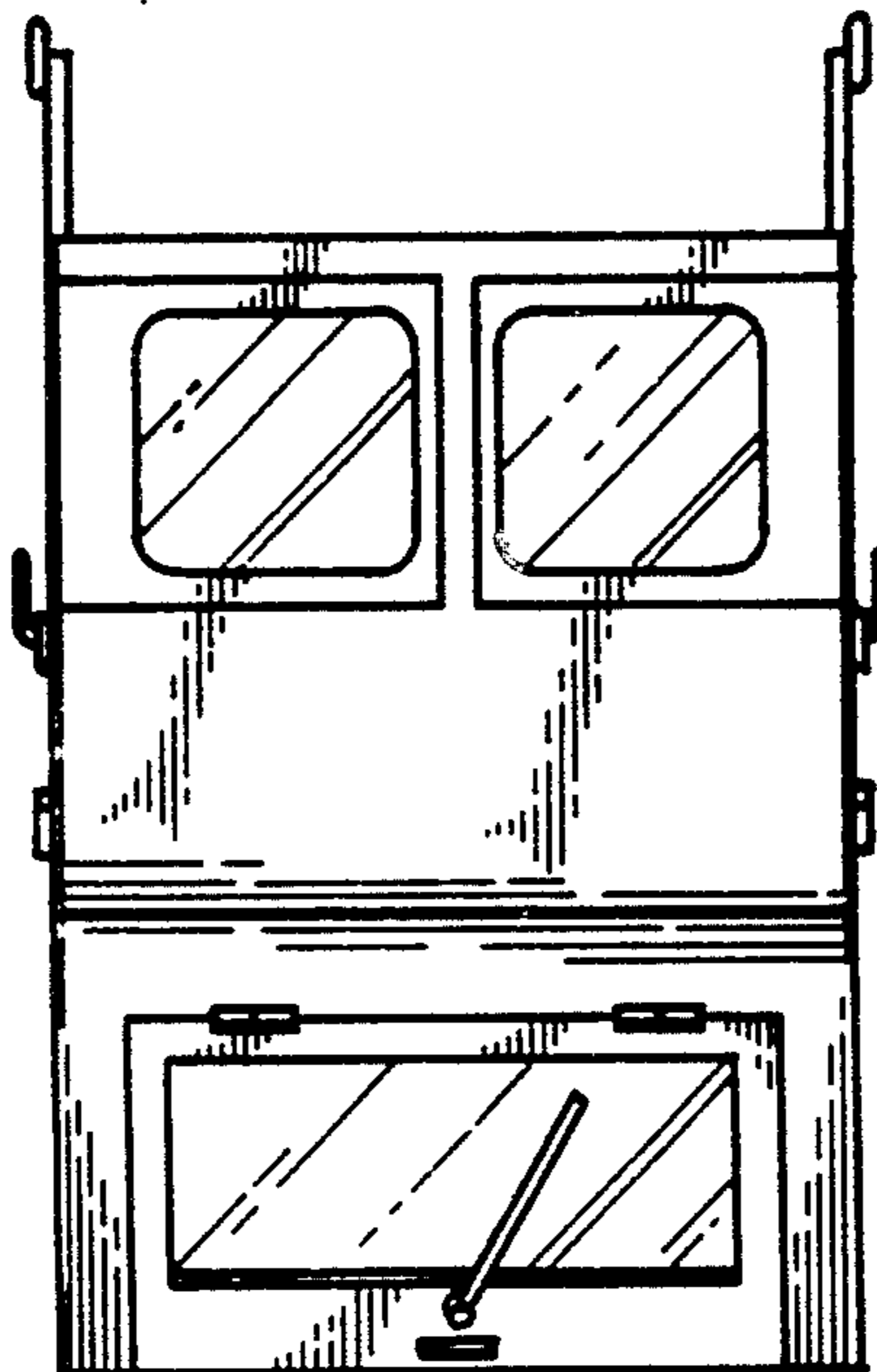


Fig. 4