

[54] **SLIDER FOR SLIDE FASTENER**

[75] **Inventor:** Hideo Takabatake, Namerikawa, Japan

[73] **Assignee:** Yoshida Kogyo, K. K., Tokyo, Japan

[\*\*] **Term:** 14 Years

[21] **Appl. No.:** 720,279

[22] **Filed:** Apr. 5, 1985

[52] **U.S. Cl.** ..... D11/221

[58] **Field of Search** ..... D11/200, 201, 221; 24/381, 385, 415, 417, 427-431

[56] **References Cited**

**U.S. PATENT DOCUMENTS**

D. 121,338 7/1940 Marinsky ..... D11/221

4,368,562 1/1983 Minami ..... D11/221 X

**OTHER PUBLICATIONS**

Talon General Training Manual, p. 17—Slider at bottom right.

*Primary Examiner*—Louis S. Zarfes  
*Attorney, Agent, or Firm*—Hill, Van Santen, Steadman & Simpson

[57] **CLAIM**

The ornamental design for a slider for slide fastener, substantially as shown and described.

**DESCRIPTION**

FIG. 1 is a front elevational view of a slider for slide fastener showing my new design;

FIG. 2 is a rear elevational view of the slider;

FIG. 3 is a top plan view of the slider;

FIG. 4 is a bottom view of the slider;

FIG. 5 is a side elevational view of the slider;

FIG. 6 is a cross-sectional view taken along line A—A of FIG. 1; and

FIG. 7 is an isometric view of the slider further illustrating its configuration.

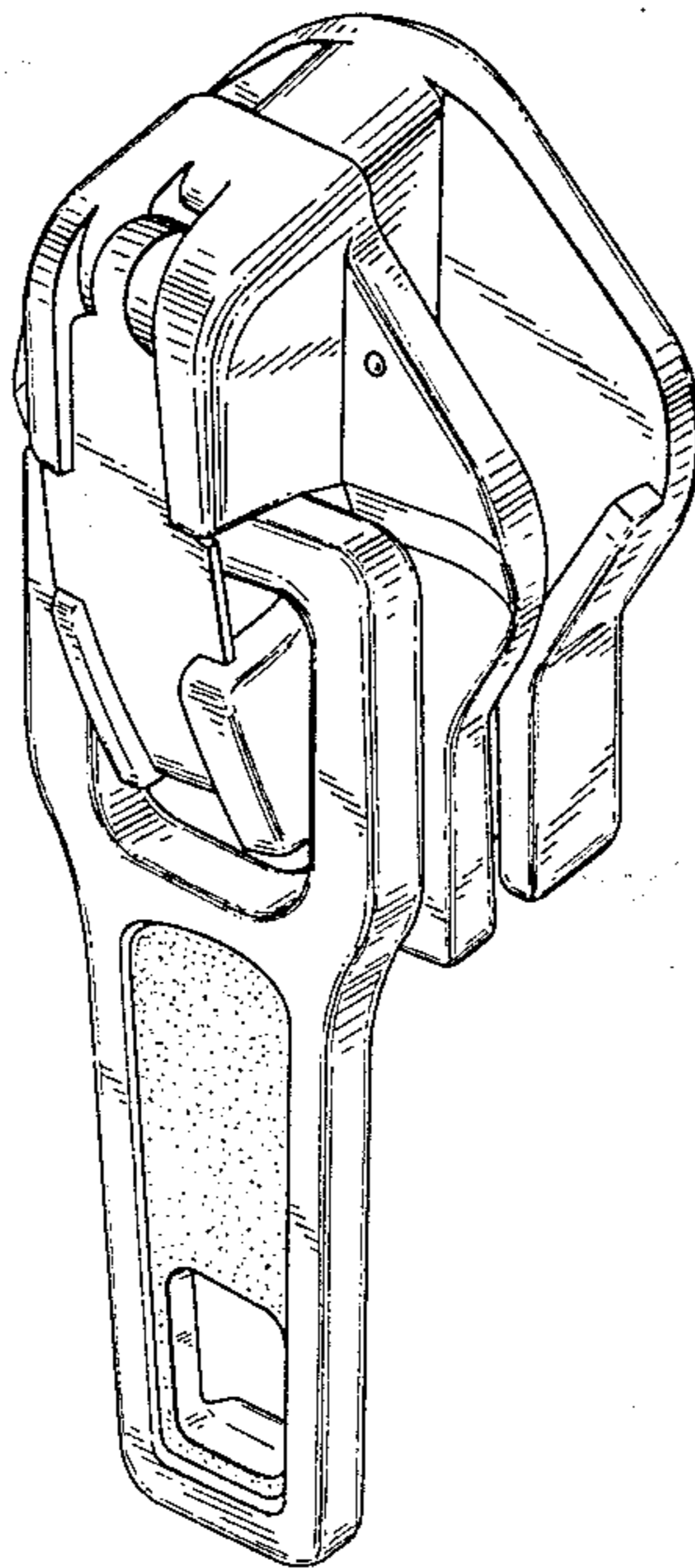


FIG. 1

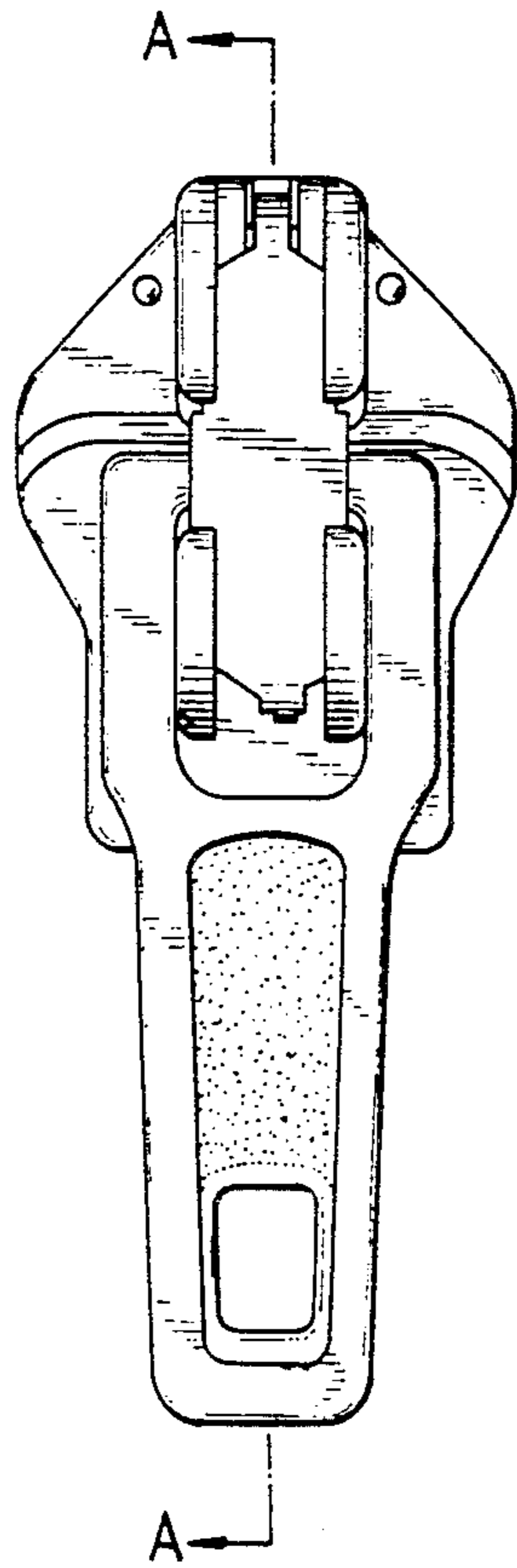


FIG. 2

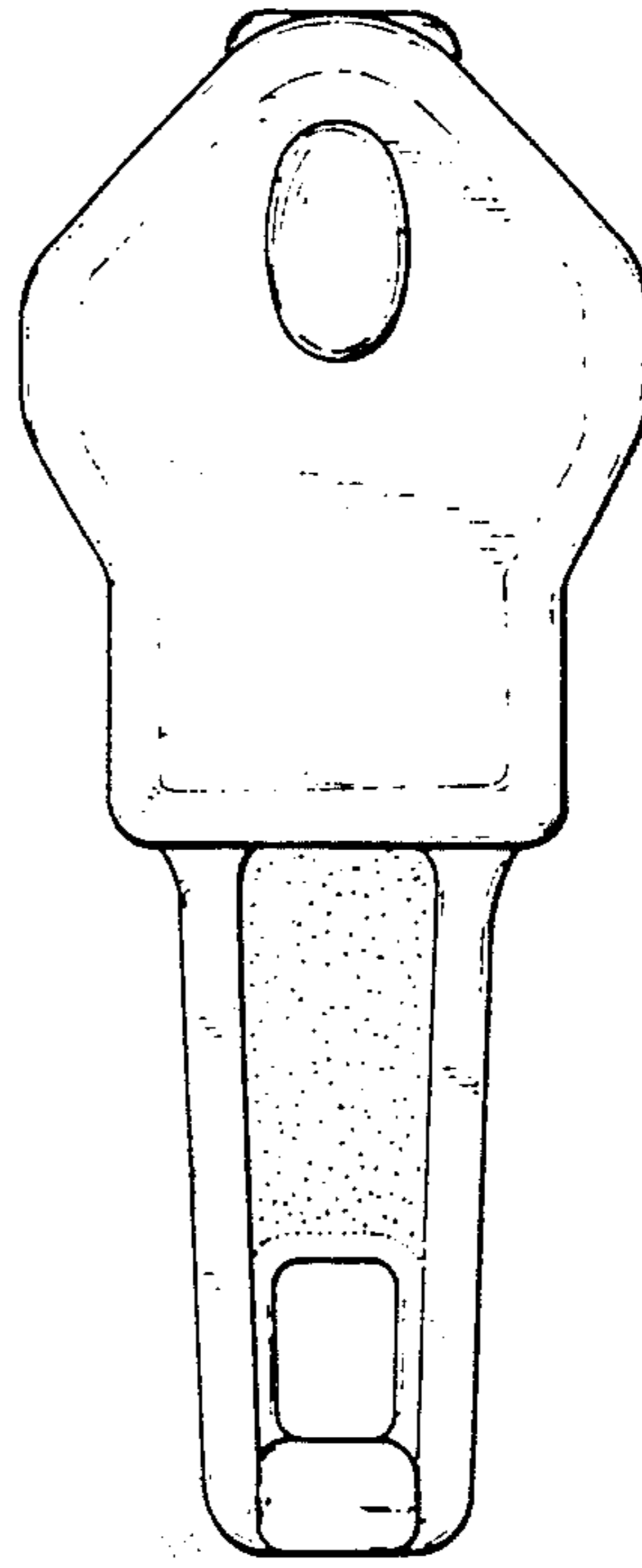


FIG. 3

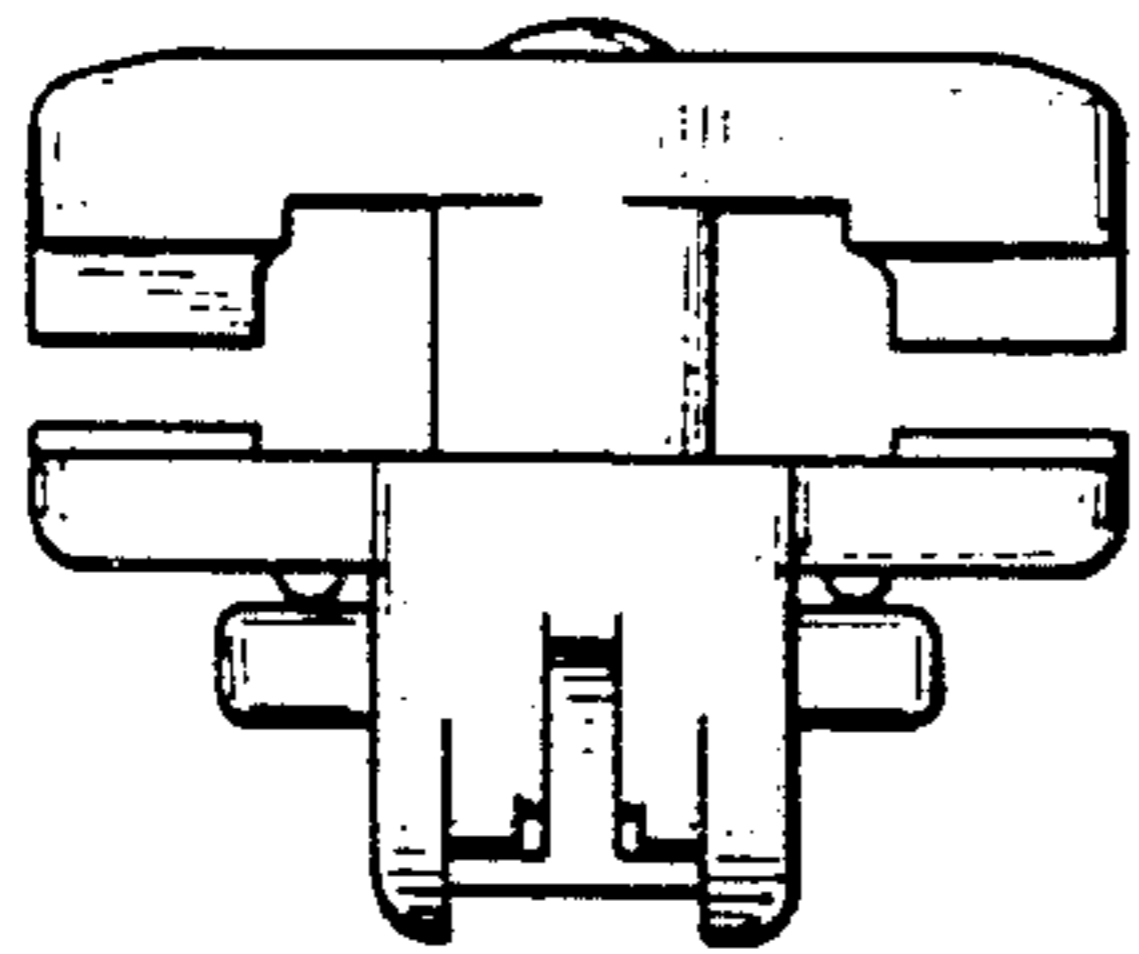


FIG. 4

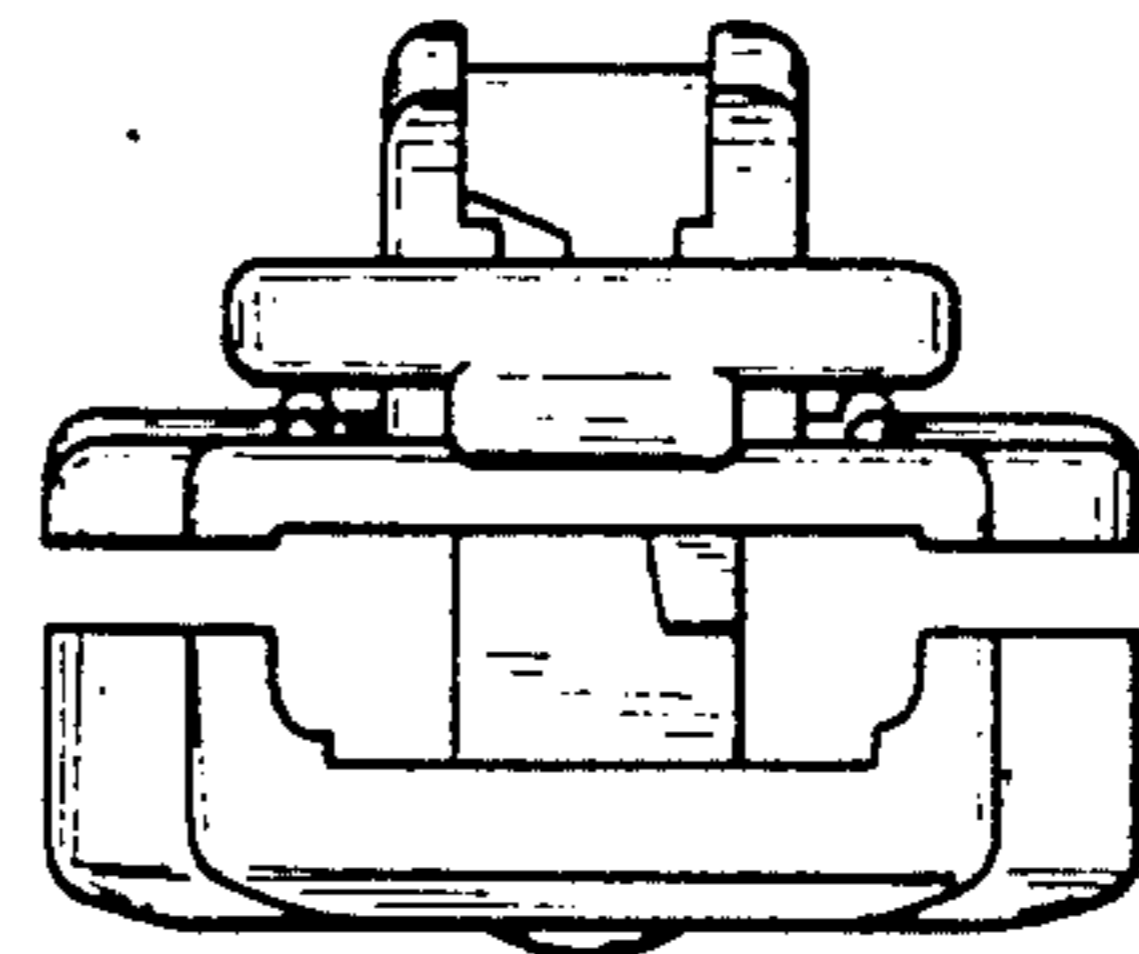


FIG. 5

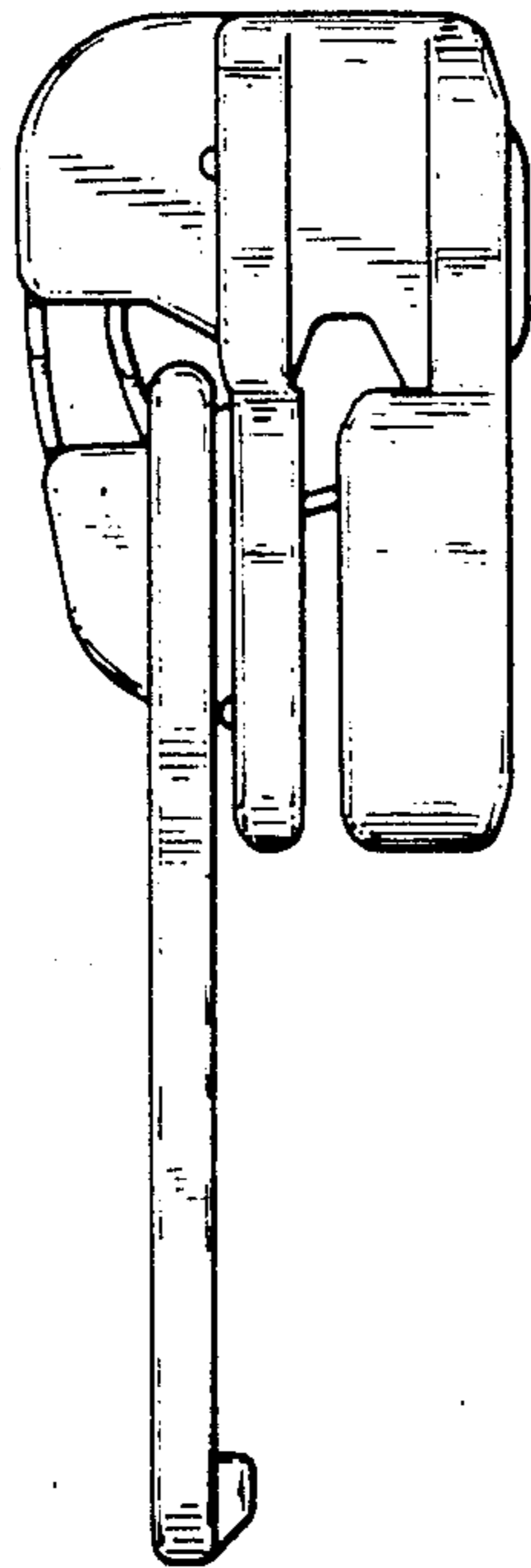


FIG. 6

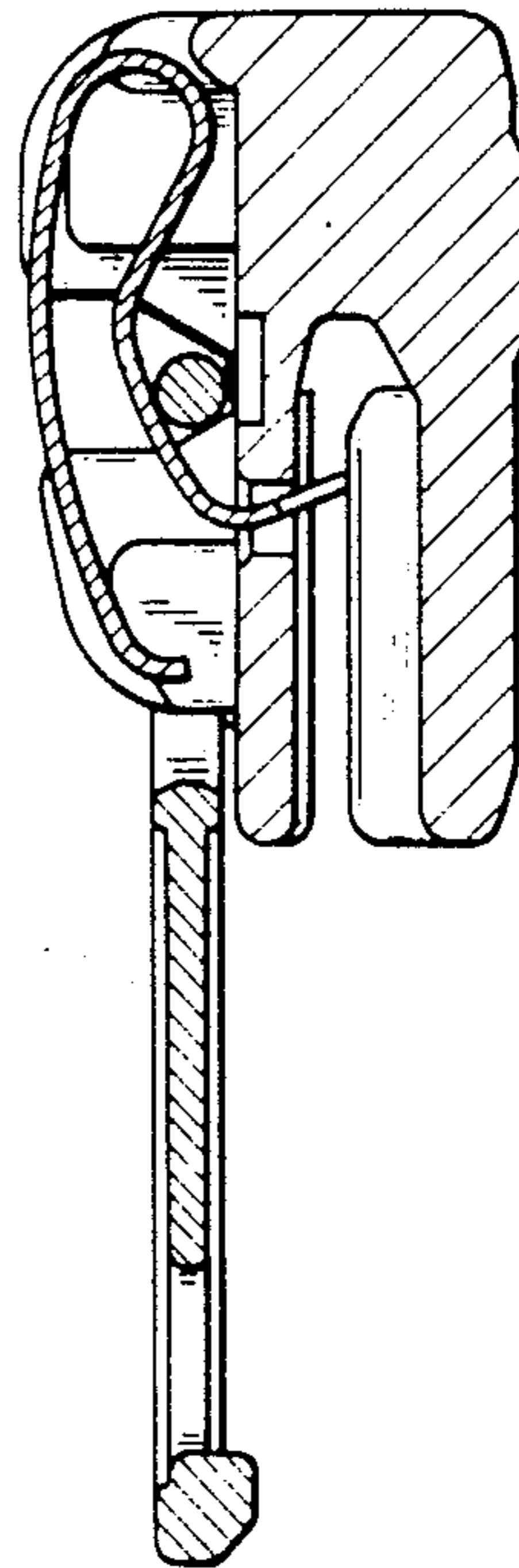


FIG. 7

