

**United States Patent** [19]  
**Motta**

[11] Patent Number: **Des. 291,655**  
[45] Date of Patent: **\*\* Sep. 1, 1987**

[54] **SHELF BRACKET**

[76] Inventor: **Kenneth F. Motta, 176 Mahogany Dr., Naples, Fla. 33963**

[\*\*] Term: **14 Years**

[21] Appl. No.: **702,900**

[22] Filed: **Feb. 19, 1985**

[52] U.S. Cl. .... **D8/381; D8/363; D8/366; 248/235**

[58] Field of Search ..... **D8/363, 356, 357, 366, D8/381, 373; 248/289.1, 235, 250**

[56] **References Cited**

**U.S. PATENT DOCUMENTS**

D. 52,265	8/1918	Bornjak	.....	D8/366 X
D. 52,832	12/1918	Szandula	.....	D8/366
D. 70,830	8/1926	Dloughy	.....	D8/366 X
D. 122,612	9/1940	Wittie	.....	D8/366
D. 204,159	3/1966	Piasecki	.....	D8/357 X
D. 233,733	11/1974	Byerly	.....	D8/356 X
2,195,893	4/1940	McGann	.....	248/235
3,252,679	5/1966	Bell	.....	248/235

**FOREIGN PATENT DOCUMENTS**

197809 9/1978 Fed. Rep. of Germany ..... 248/235

**OTHER PUBLICATIONS**

Grammes, "Metal Products Catalog #66, 1941; at p. 43, Clips #33825, 33826, 33829, 33830.  
Richco Plastic Co.: Catalog, p. 6—Capacitor Clip: & Horseclamps, on same page.  
T & B/Thomas & Betts: printed 2/1977: Adjustable Clamps.

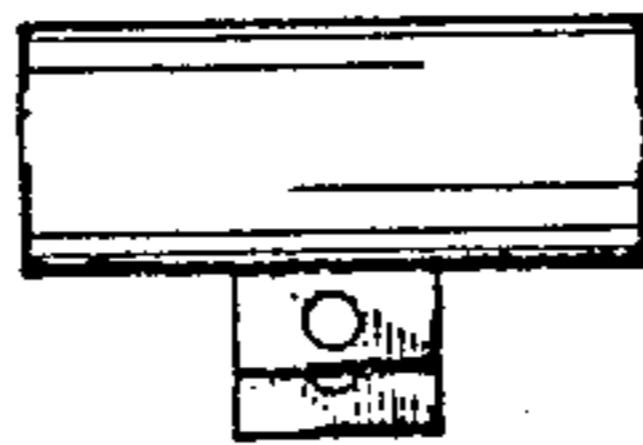
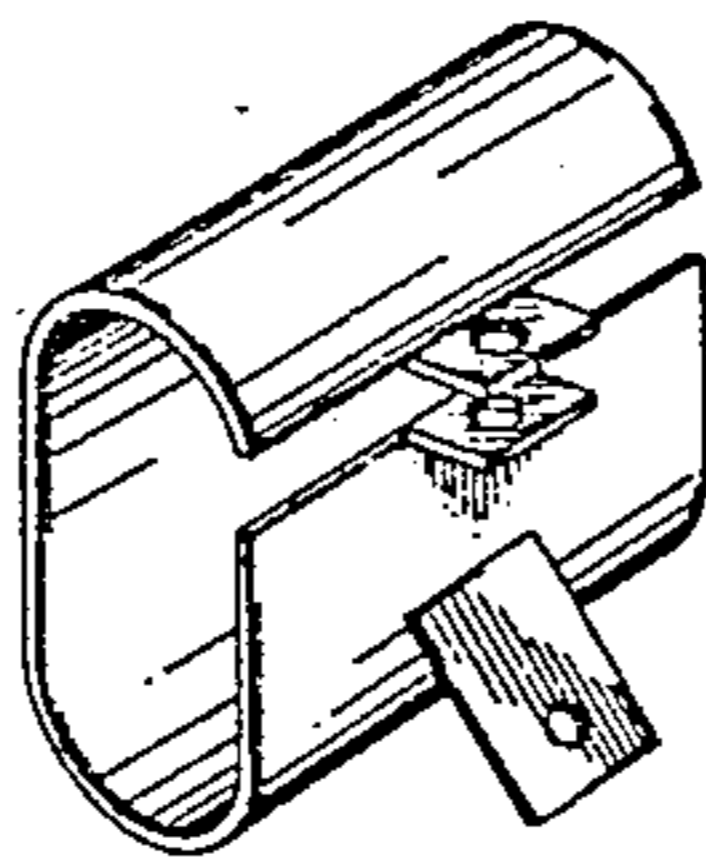
*Primary Examiner*—Wallace R. Burke  
*Assistant Examiner*—Horace B. Fay  
*Attorney, Agent, or Firm*—Merrill N. Johnson

[57] **CLAIM**

The ornamental design for a shelf bracket, as shown and described.

**DESCRIPTION**

FIG. 1 is a left end, partial top and front perspective view of a shelf bracket showing my new design;  
FIGS. 2 and 3 are respectively top and bottom plan views thereof;  
FIGS. 4 and 5 are respectively front and rear elevational views thereof; and  
FIG. 6 is a right end elevational view thereof.



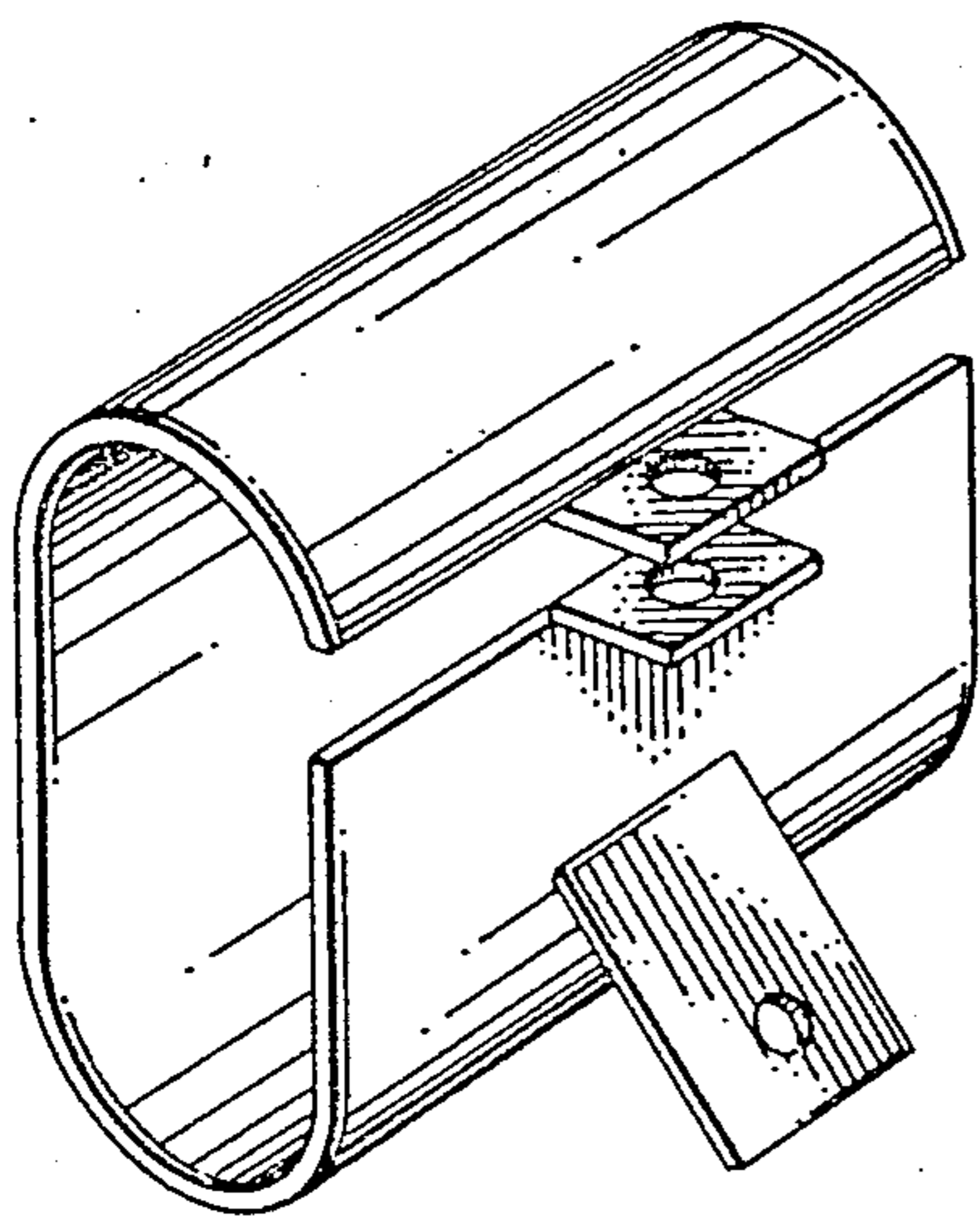


FIG. 1

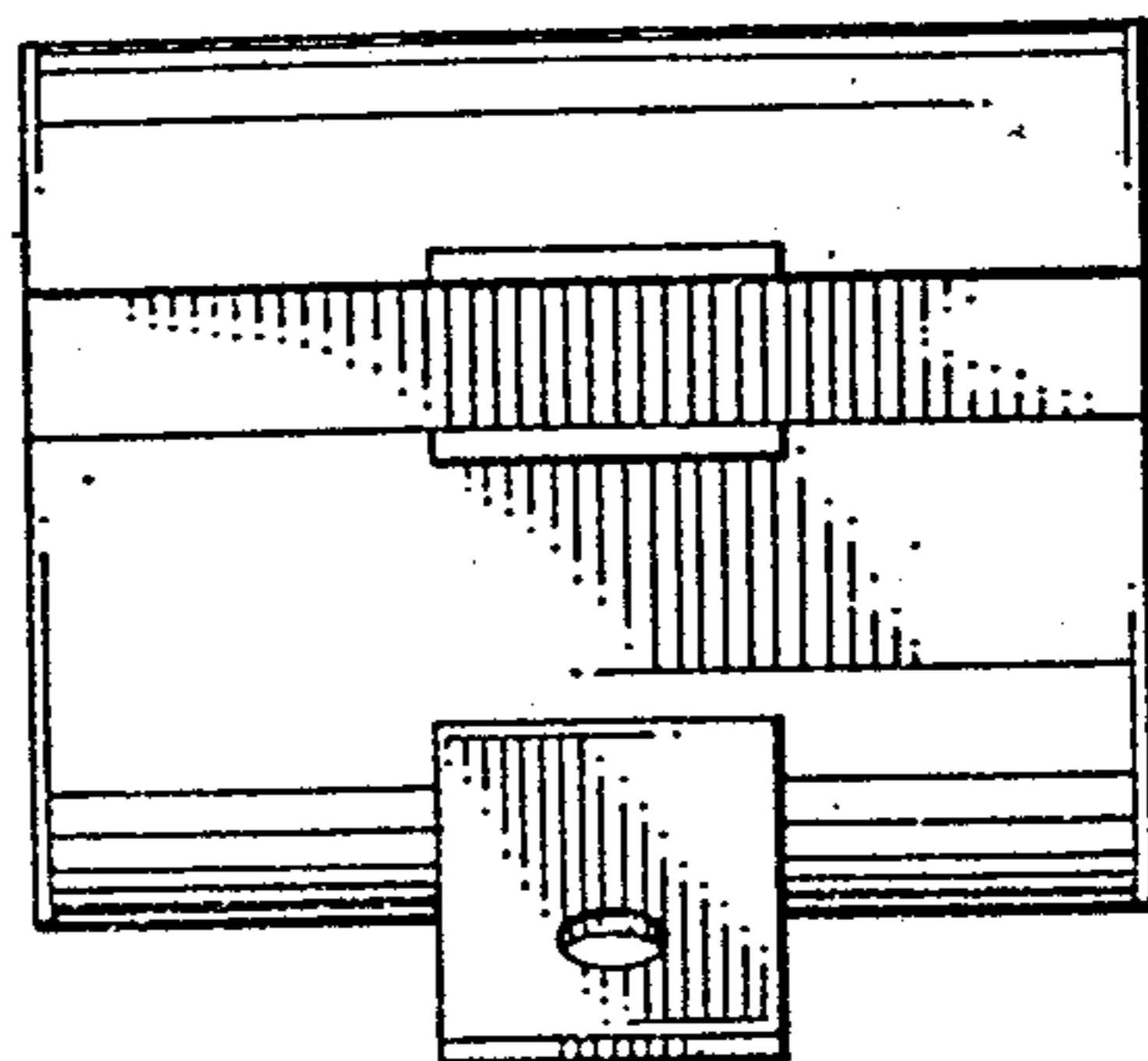


FIG. 4

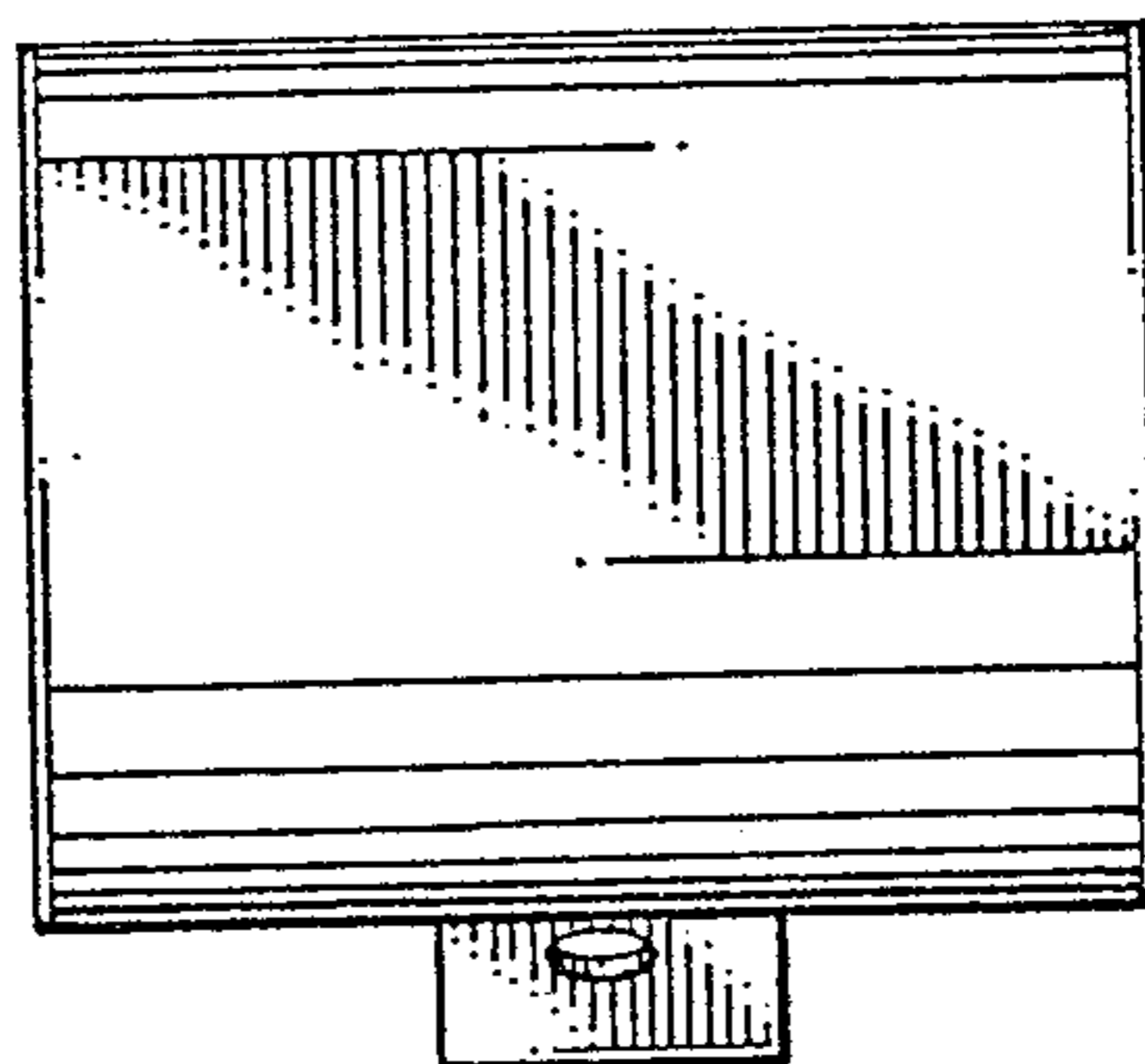


FIG. 5

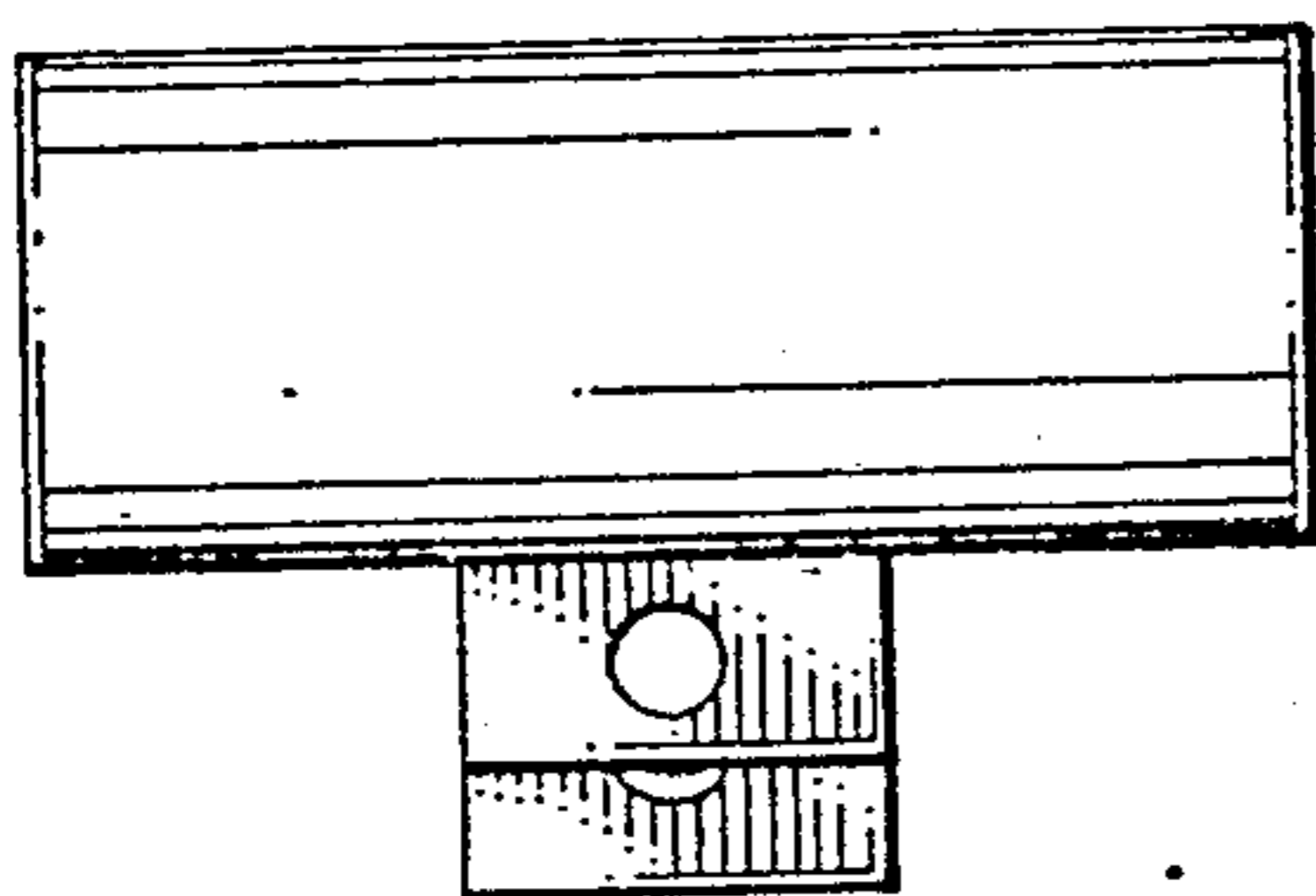


FIG. 2

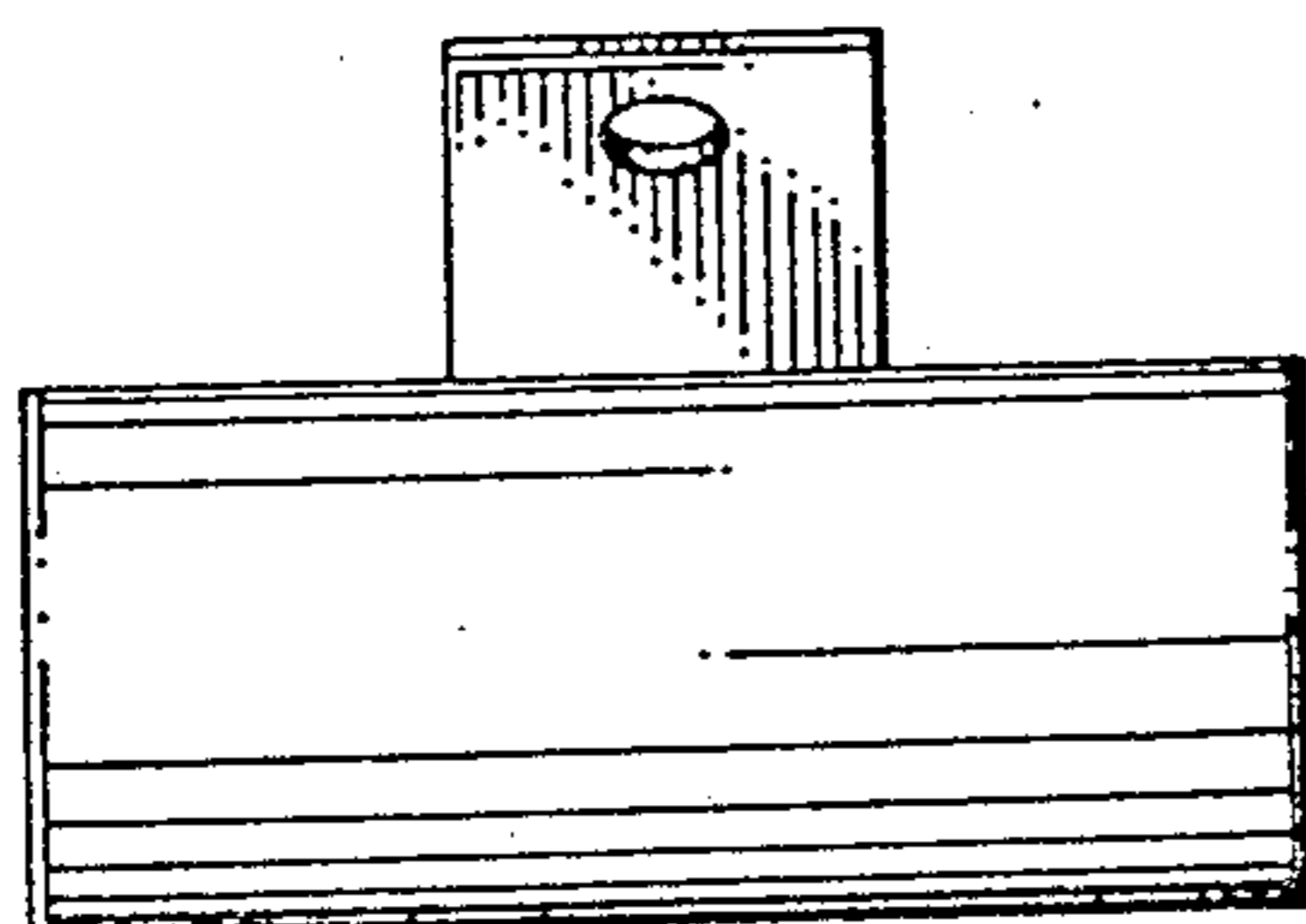


FIG. 3

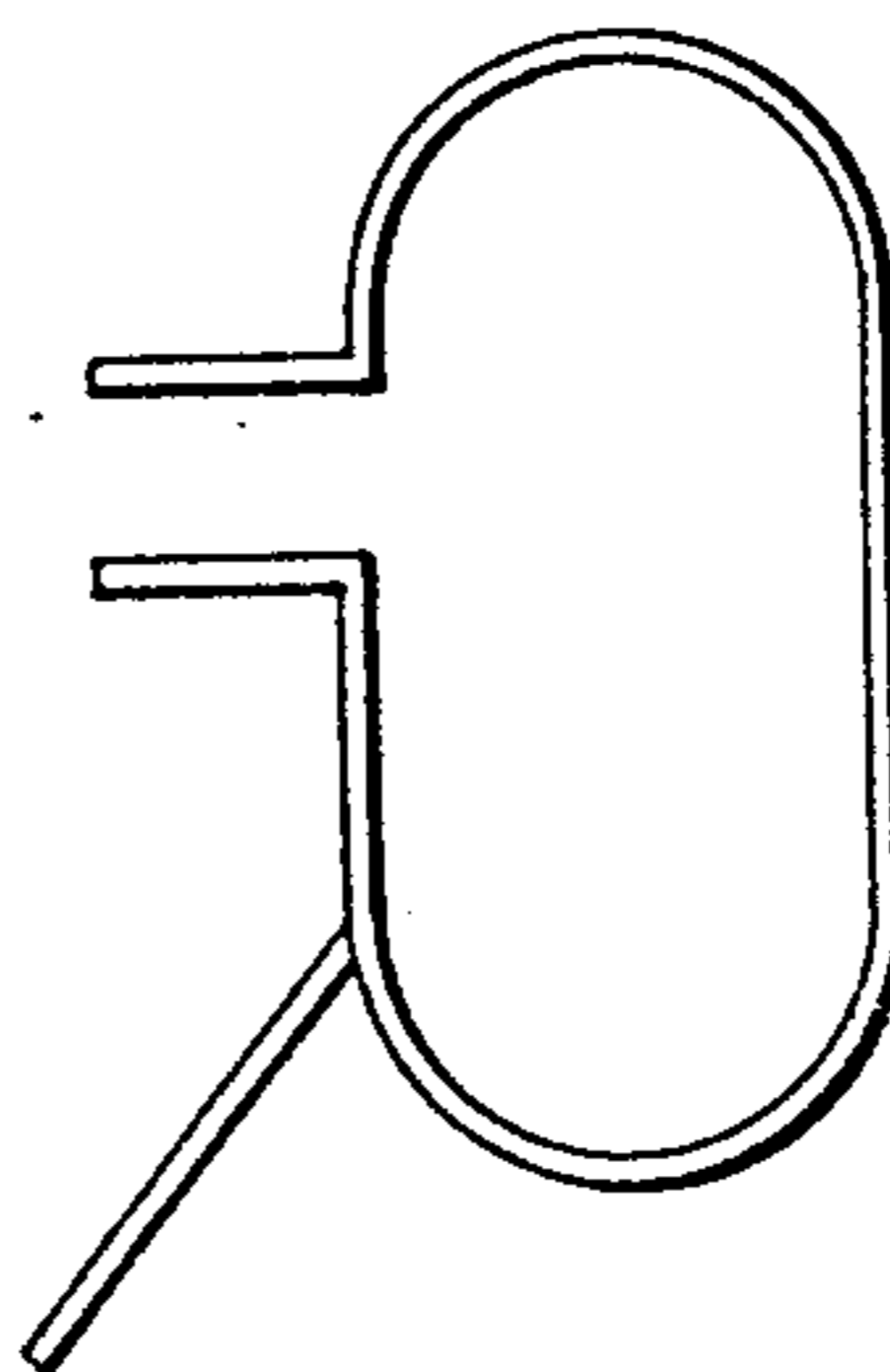


FIG. 6