

[54] SLED FOR A REINFORCING CAGE OR THE LIKE

[76] Inventor: Thomas W. Foster, Jr., 3901 Shady Valley Dr., Arlington, Tex. 76013

[**] Term: 14 Years

[21] Appl. No.: 754,771

[22] Filed: Jul. 15, 1985

[52] U.S. Cl. D8/349; D8/354; D12/6; 280/28

[58] Field of Search D8/349, 354; 52/652, 52/653; 244/108; 180/182, 183, 187; 280/12 R, 21 A, 22, 28; 248/359 R, 677, 357; D12/6, 9

[56] References Cited

U.S. PATENT DOCUMENTS

| | | | | |
|------------|---------|----------------|-------|-----------|
| D. 22,912 | 11/1893 | Hobbs | | D12/6 |
| D. 256,111 | 7/1980 | Wagner | | D12/9 |
| 790,230 | 9/1905 | Stempel | | 405/231 |
| 1,385,251 | 7/1921 | Jenkins | | 180/183 |
| 1,581,414 | 4/1926 | Young | | 280/28 |
| 1,668,122 | 5/1928 | Mummert et al. | | 244/108 X |
| 1,654,215 | 12/1928 | Golembiewski | | 180/183 X |
| 1,708,277 | 4/1929 | Martin | | 52/652 |

| | | | | |
|-----------|---------|----------------|-------|------------|
| 2,228,528 | 1/1941 | Smith | | 280/12 R X |
| 2,593,025 | 4/1952 | Thomson et al. | | 280/28 |
| 3,257,767 | 6/1966 | Lassy | | 52/652 |
| 3,471,986 | 10/1969 | Swenson | | 52/652 |
| 3,649,040 | 3/1972 | Snider, Jr. | | 180/182 X |
| 3,719,369 | 3/1973 | Savage | | 280/28 |
| 3,722,164 | 3/1973 | Schmidgall | | 52/652 |
| 4,221,394 | 9/1980 | Campbell | | 280/28 X |
| 4,627,211 | 12/1986 | Foster, Jr. | | 52/652 |

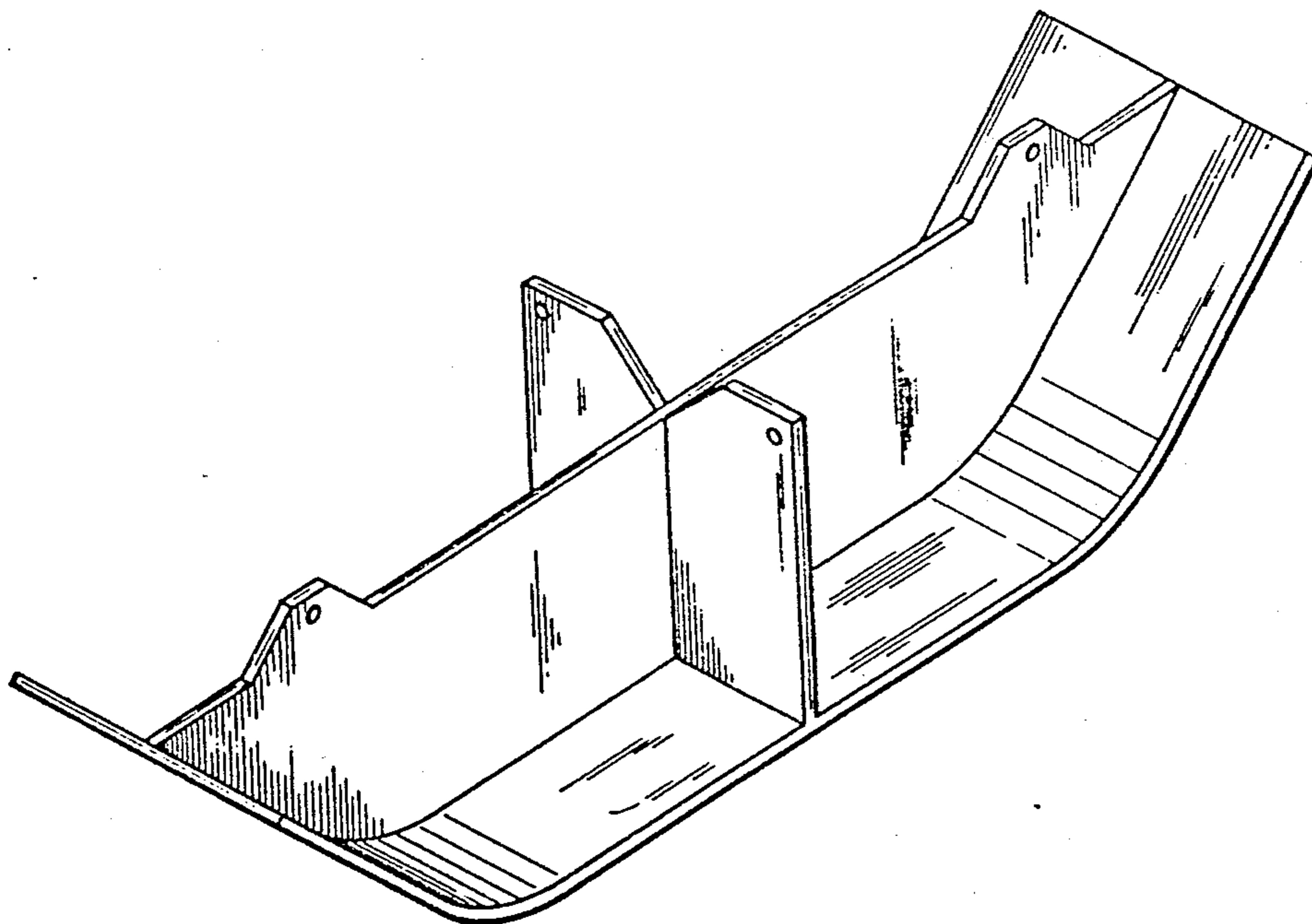
Primary Examiner—Wallace R. Burke
 Assistant Examiner—Horace B. Fay
 Attorney, Agent, or Firm—Charles W. McHugh

[57] CLAIM

The ornamental design for a sled for a reinforcing cage or the like, as shown and described.

DESCRIPTION

FIG. 1 is a perspective view of a sled for a reinforcing cage or the like showing my new design;
 FIG. 2 is an end elevational view thereof, with both end views being identical;
 FIG. 3 is a side elevational view thereof, with both side views being identical;
 FIG. 4 is a top plan view thereof, and
 FIG. 5 is a bottom plan view thereof.



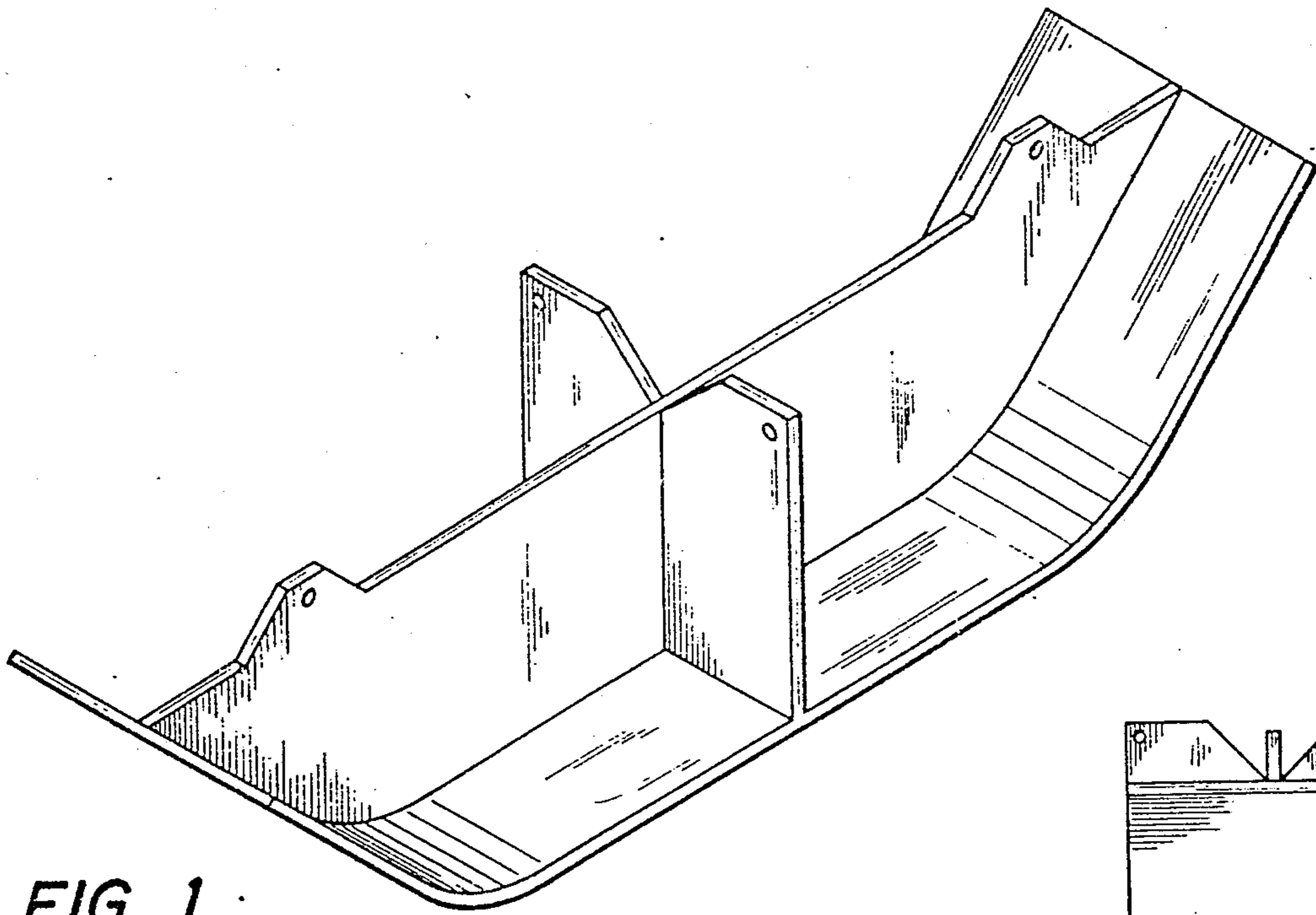


FIG. 1

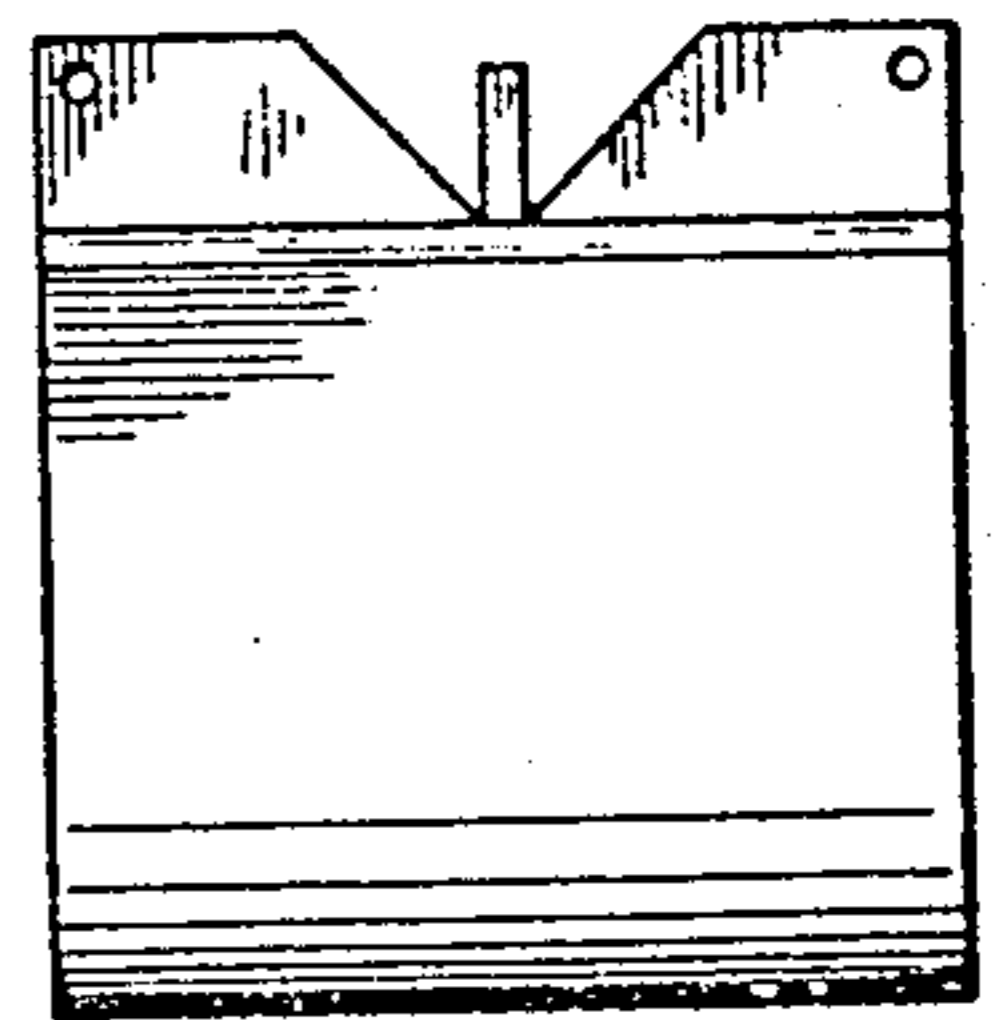


FIG. 2

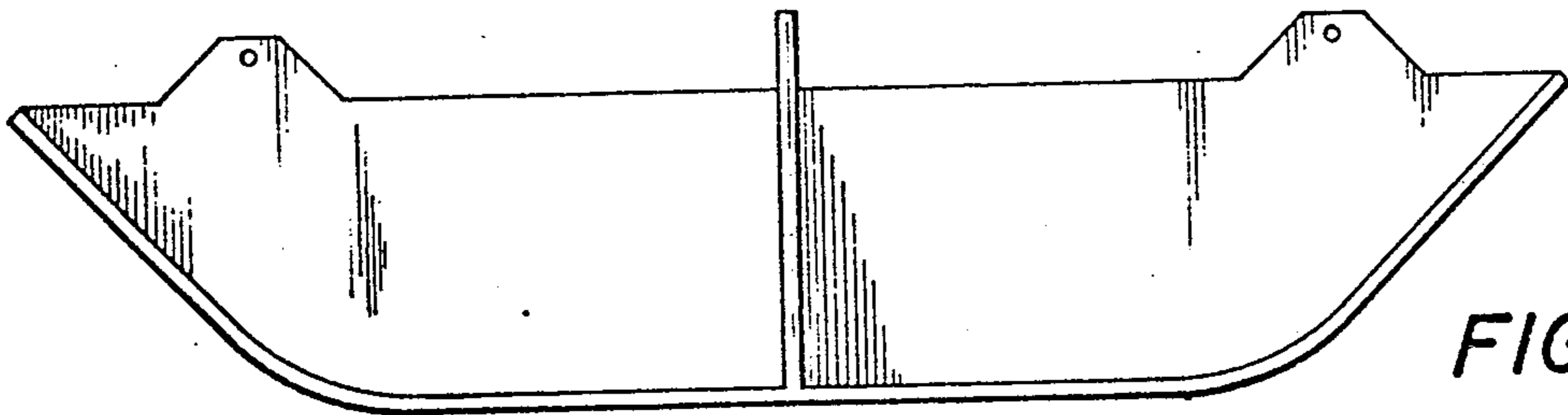


FIG. 3

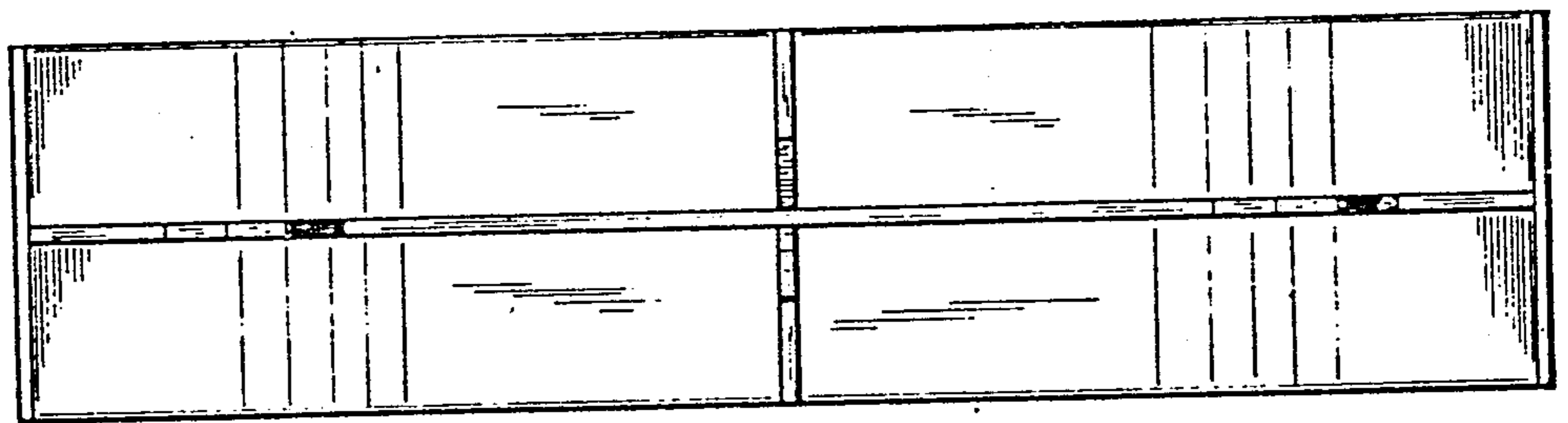


FIG. 4

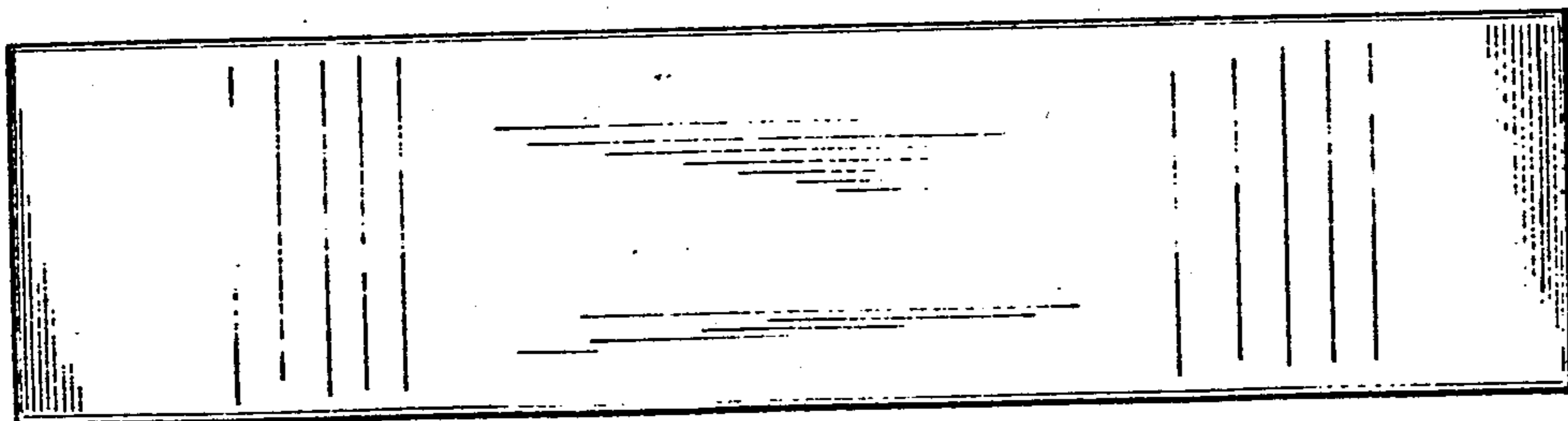


FIG. 5