

[54] **LUGGAGE LOCK**

3,942,344 3/1976 Gehrie et al. .... 70/70

[75] **Inventor: Walter Bialo, New Rochelle, N.Y.**

*Primary Examiner*—Wallace R. Burke  
*Assistant Examiner*—Brian N. Vinson  
*Attorney, Agent, or Firm*—McAulay, Fields, Fisher,  
Goldstein & Nissen

[73] **Assignee: Ventura Travelware, Inc., Long Island City, N.Y.**

[\*\*] **Term: 14 Years**

[57] **CLAIM**

[21] **Appl. No.: 721,710**

The ornamental design for a luggage lock, substantially as shown and described.

[22] **Filed: Apr. 10, 1985**

[52] **U.S. Cl. .... D8/331**

**DESCRIPTION**

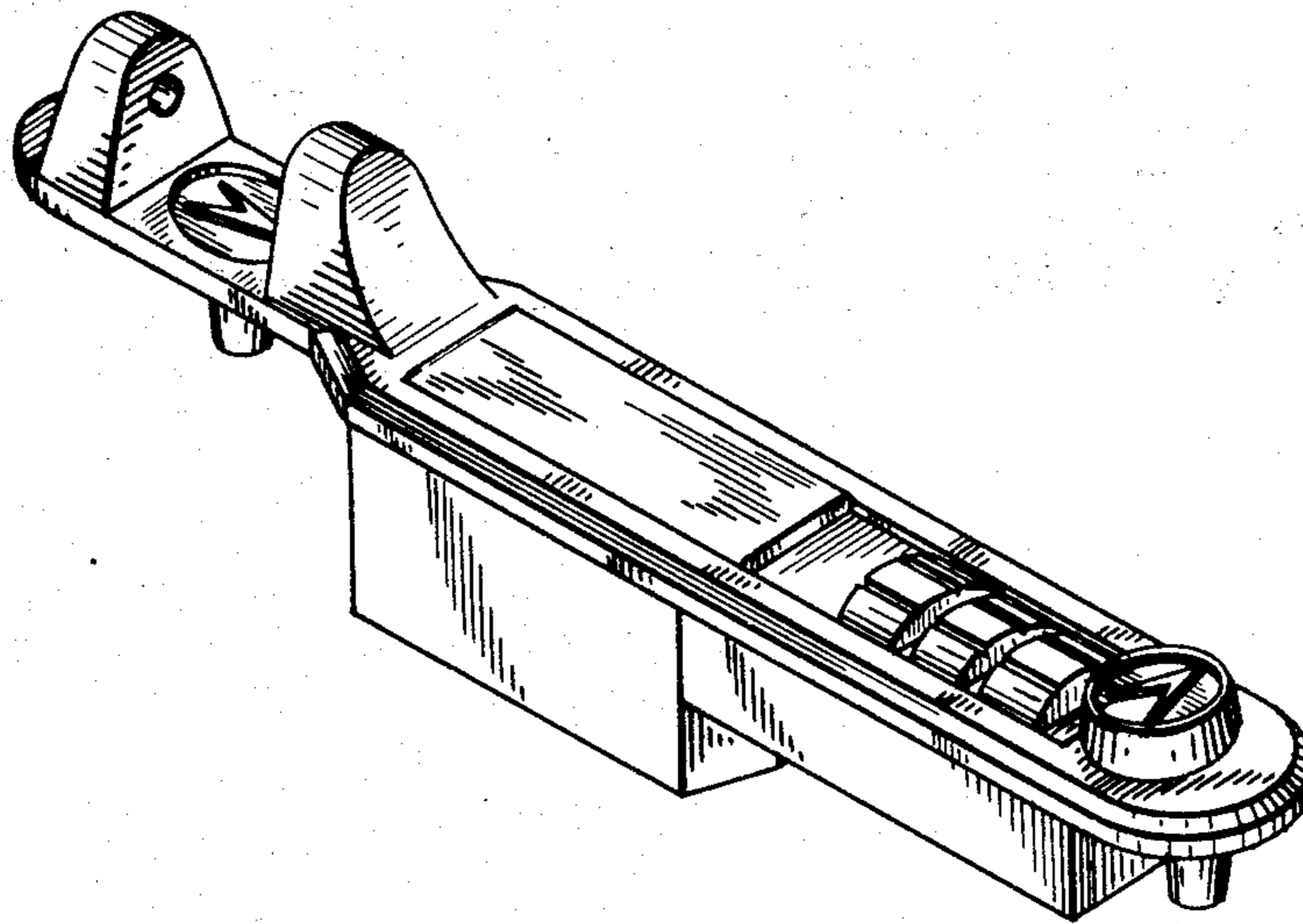
[58] **Field of Search** ..... D8/330-331,  
D8/339, 341, 336, 338; 70/63-64, 67, 69-70, 75,  
82, 286-288, 291, 298, 301, 304, 312, 315-316,  
318, 330, 332

FIG. 1 is a top perspective view of a luggage lock showing my new design;  
FIG. 2 is a top plan view thereof;  
FIG. 3 is a side elevational view thereof, the side opposite being a mirror image;  
FIG. 4 is an end elevational view thereof;  
FIG. 5 is an opposite end thereof; and  
FIG. 6 is a bottom plan view thereof.

[56] **References Cited**

**U.S. PATENT DOCUMENTS**

3,555,860 1/1971 Atkinson ..... 70/82 X



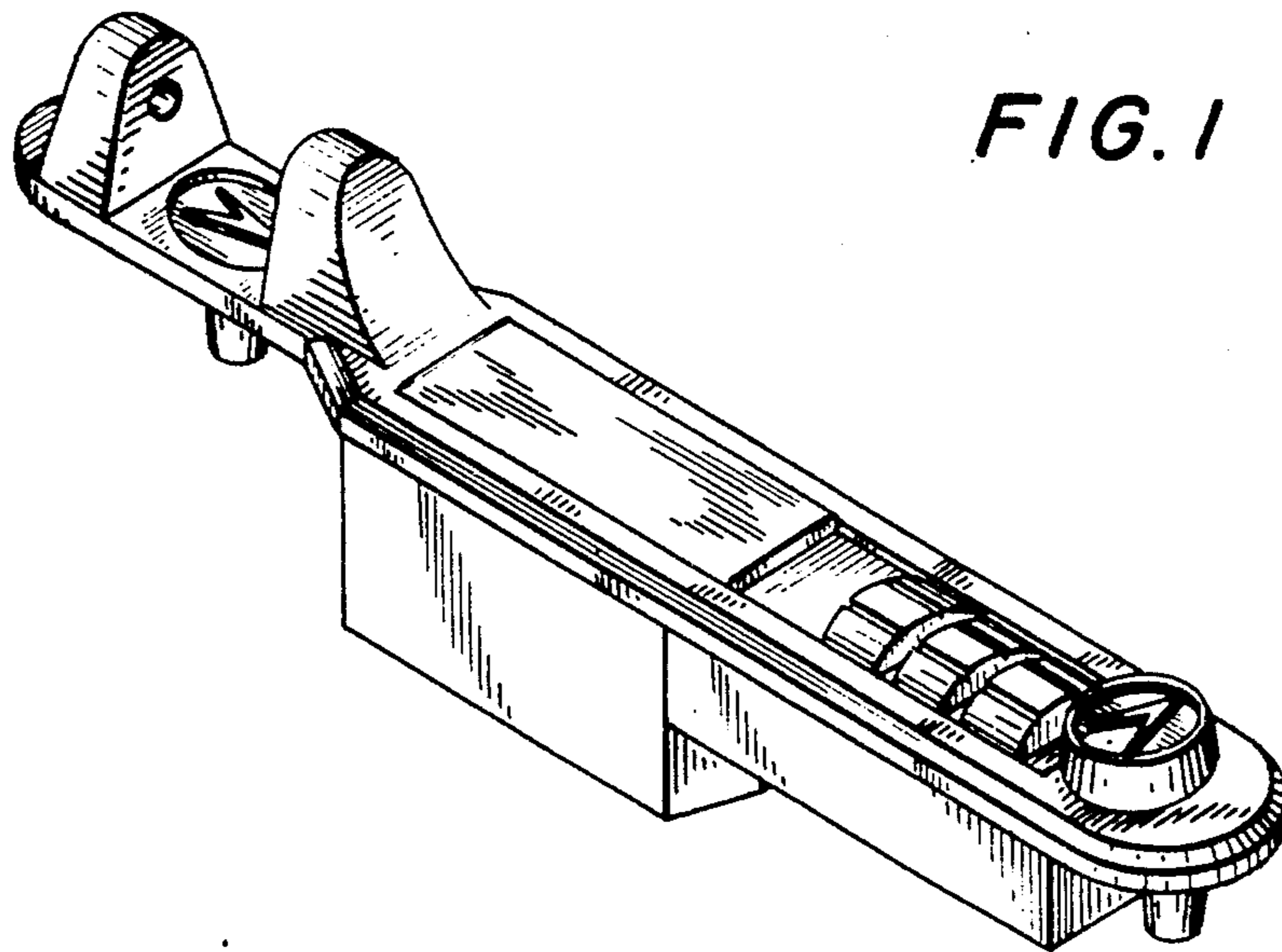


FIG. 2

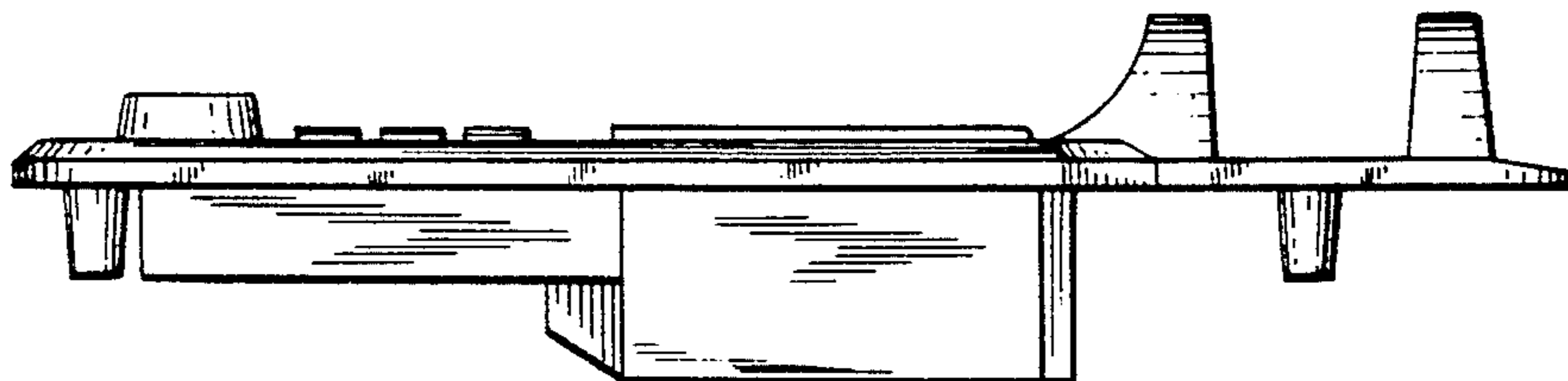
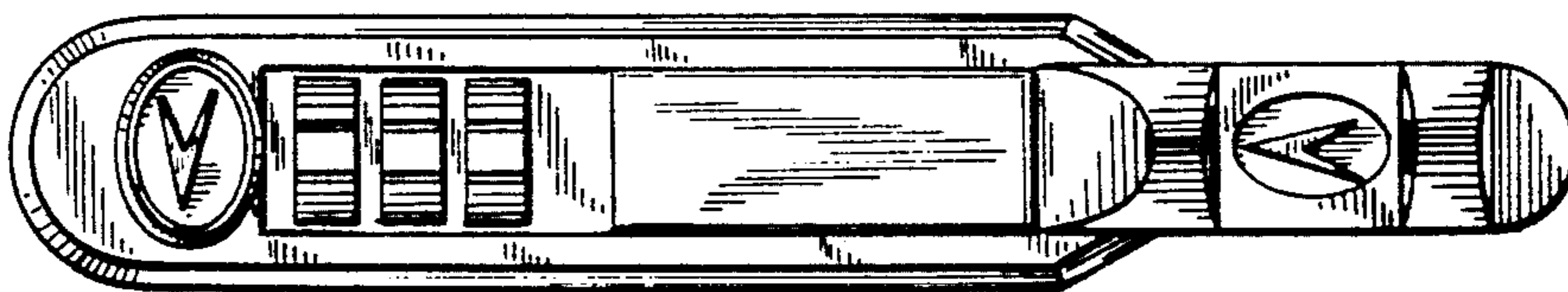
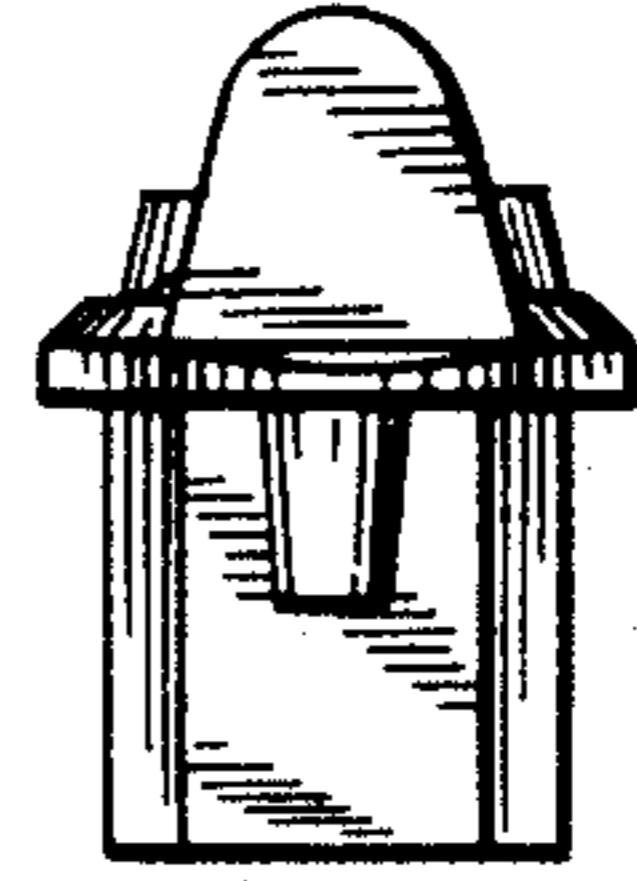
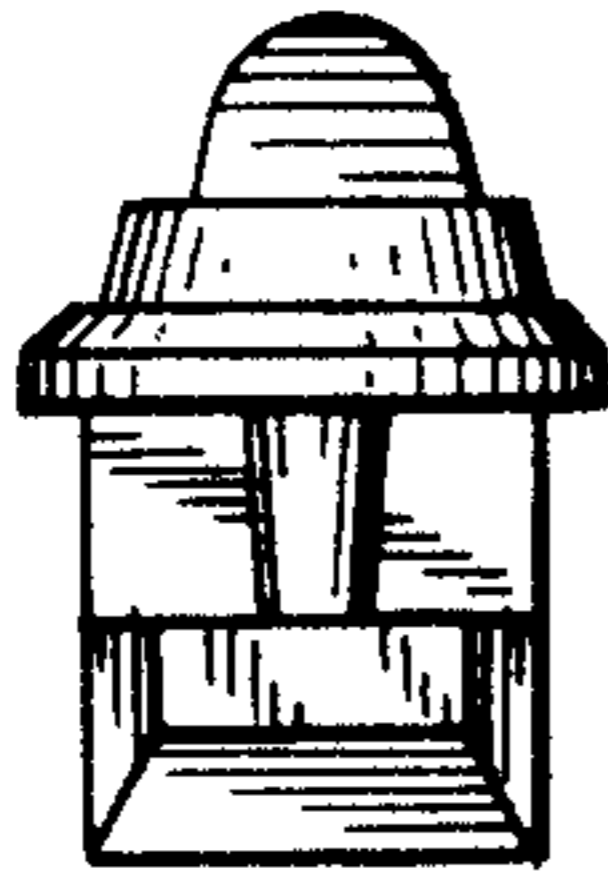
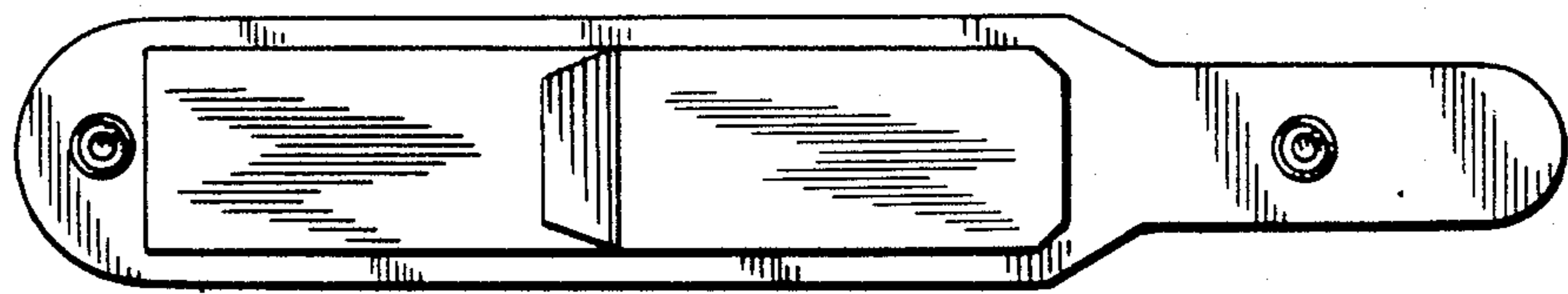


FIG. 3

**FIG. 4**



**FIG. 5**



**FIG. 6**