

[54] **HOLDER RING FOR CARDIOTOMY RESERVOIR**

[75] Inventor: **Takashi Monzen**, Tama, Japan

[73] Assignee: **Terumo Kabushiki Kaisha** (Terumo Corporation), Tokyo, Japan

[**] Term: **14 Years**

[21] Appl. No.: **699,589**

[22] Filed: **Feb. 8, 1985**

[52] U.S. Cl. **D8/72; D6/556; D8/373; D8/396; D24/29**

[58] Field of Search **D24/99, 48, 8, 31; 206/139; 248/225.31, 311.2, 102, 103, 318, 313, 316.1, 317, 231.7, 229; D6/556; D8/373, 396, 72**

[56] **References Cited**

U.S. PATENT DOCUMENTS

D. 269,121	5/1983	Pollard	D24/52 X
2,696,963	12/1954	Shepherd	248/229
3,318,457	5/1967	Krasnoff	248/229 X
4,005,844	2/1977	Richmond	248/318 X

4,367,859 1/1983 Lamon 248/318

OTHER PUBLICATIONS

AHS/Japan Corporation (1 page).
Bentley Laboratories, Inc. (3 pages) 1979.
JMS Publication (1 sheet) CT-79-3-89.
Medizintechnik AG (1 sheet).

Primary Examiner—A. Hugo Word
Assistant Examiner—Stella Reid
Attorney, Agent, or Firm—Frishauf, Holtz, Goodman & Woodward

[57] **CLAIM**

The ornamental design for a holder ring for cardiotomy reservoir, substantially as shown and described.

DESCRIPTION

FIG. 1 is a perspective view of a holder ring for cardiotomy reservoir showing our new design;
FIG. 2 is a top plan view thereof;
FIG. 3 is a front elevational view thereof;
FIG. 4 is a rear elevational view thereof;
FIG. 5 is a left side elevational view thereof;
FIG. 6 is a right side elevational view thereof; and
FIG. 7 is a bottom plan view thereof.

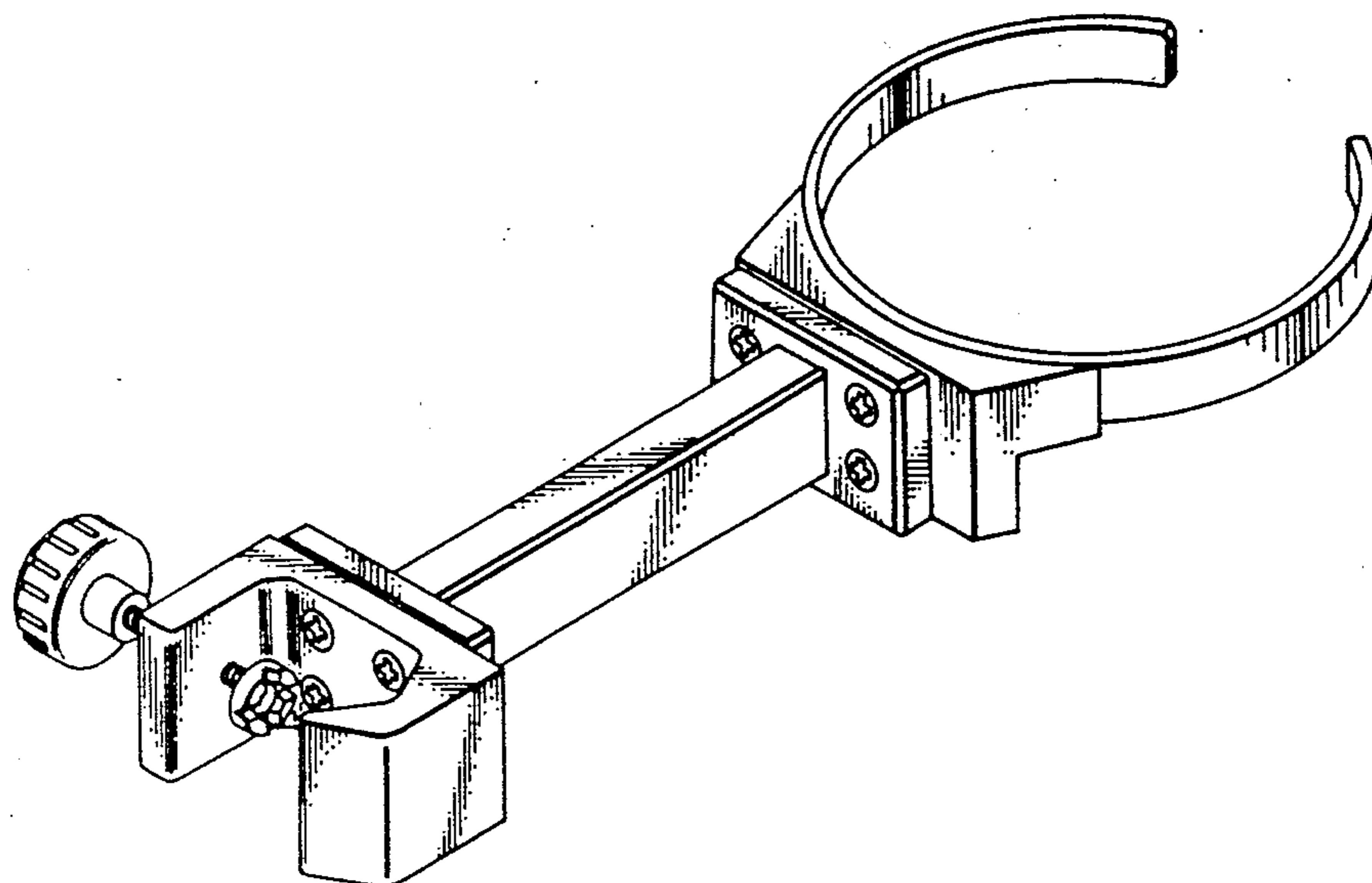


FIG. 1

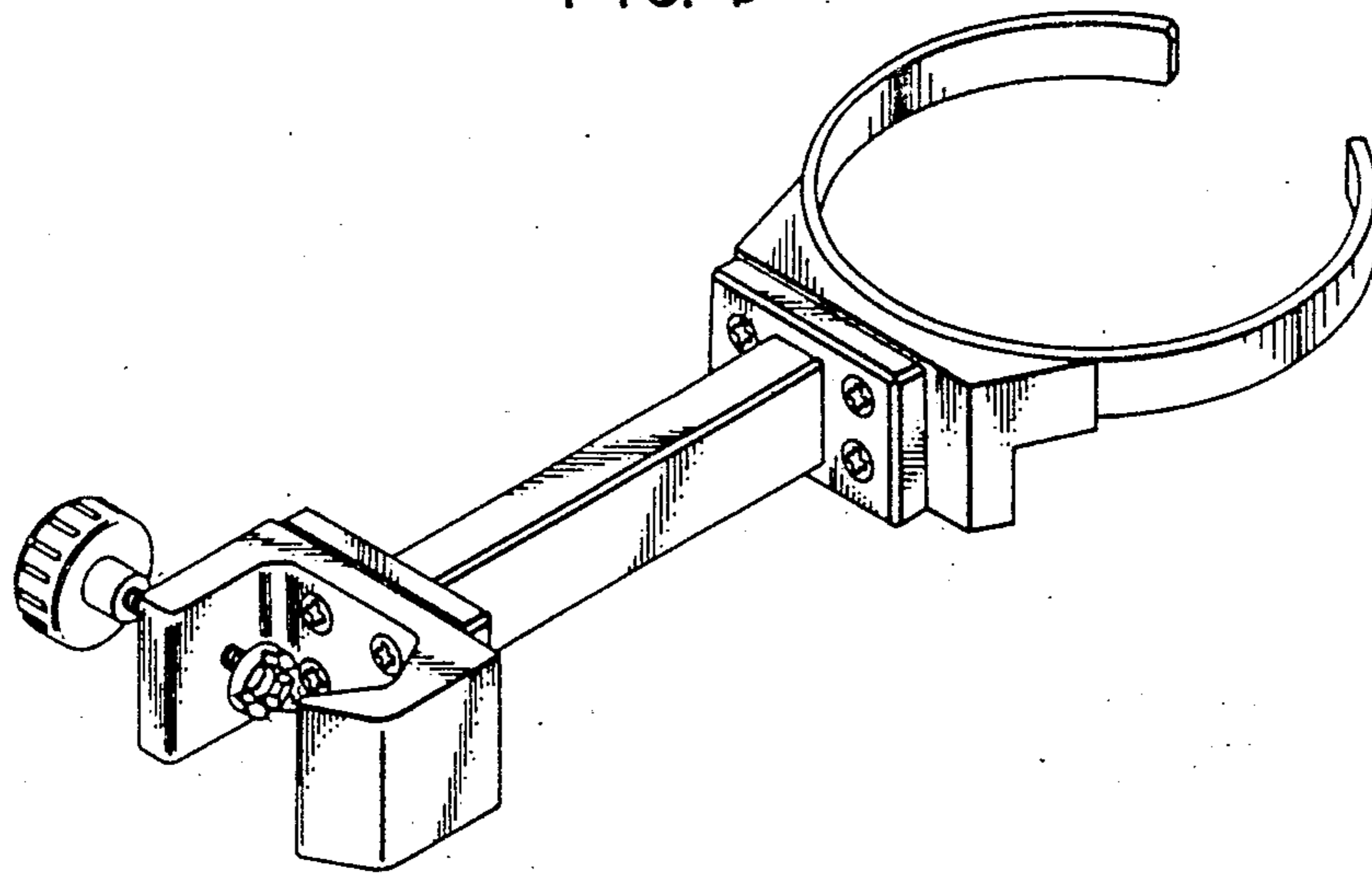


FIG. 2

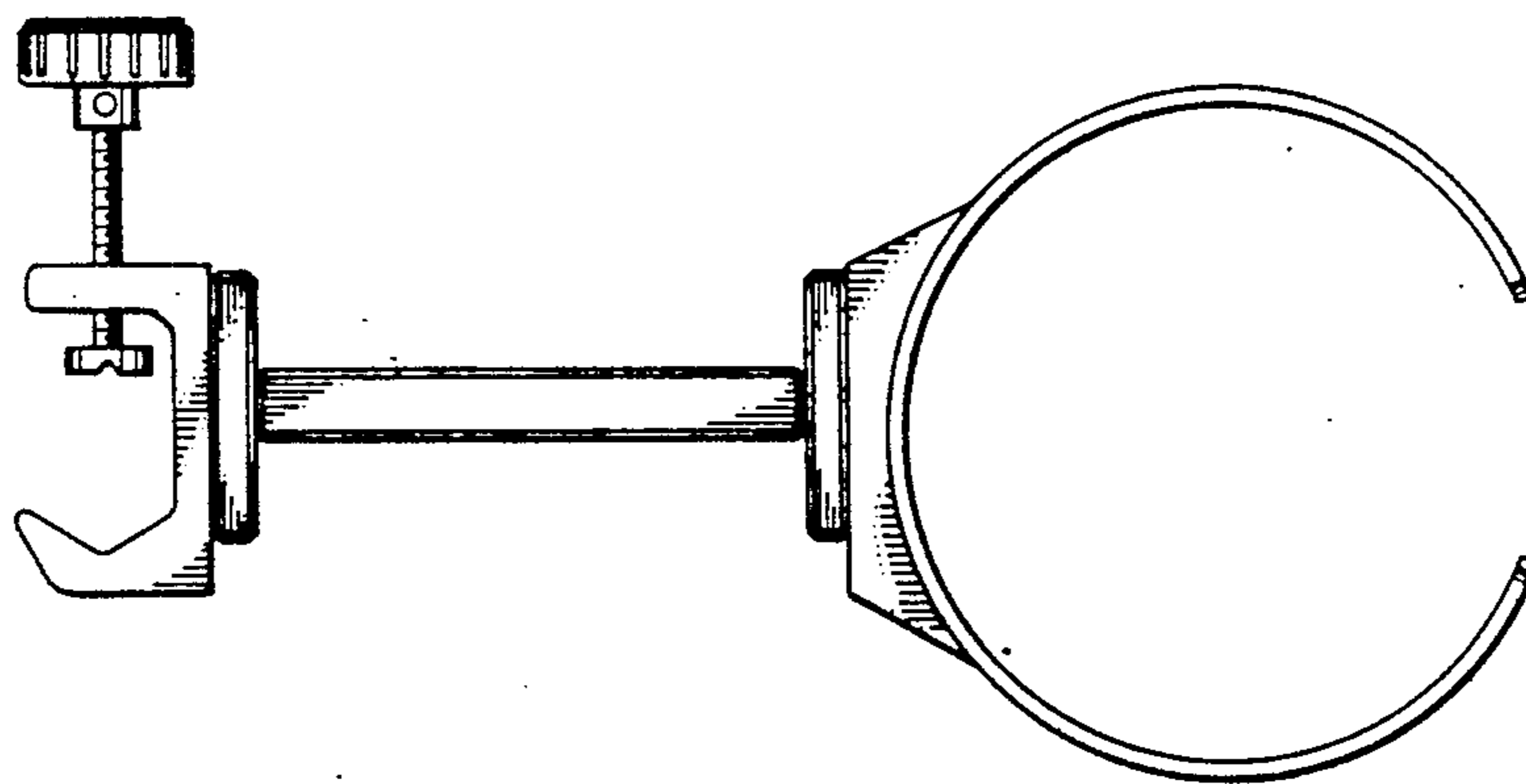


FIG. 3

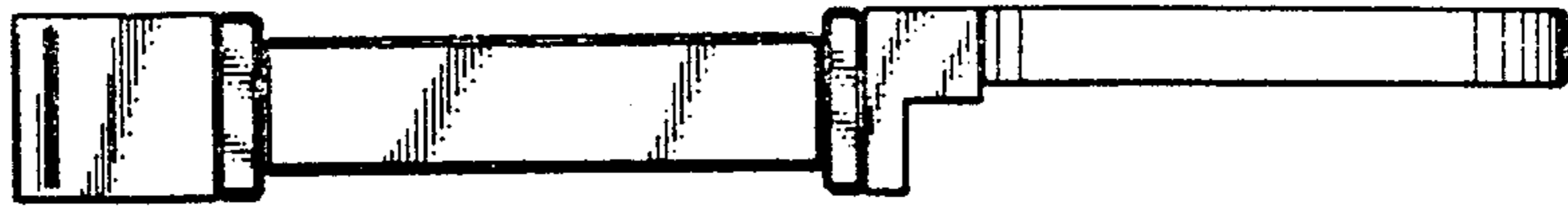


FIG. 4

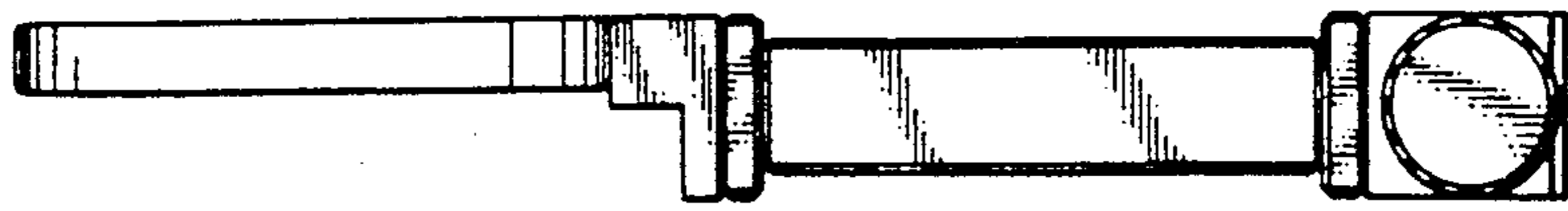


FIG. 5

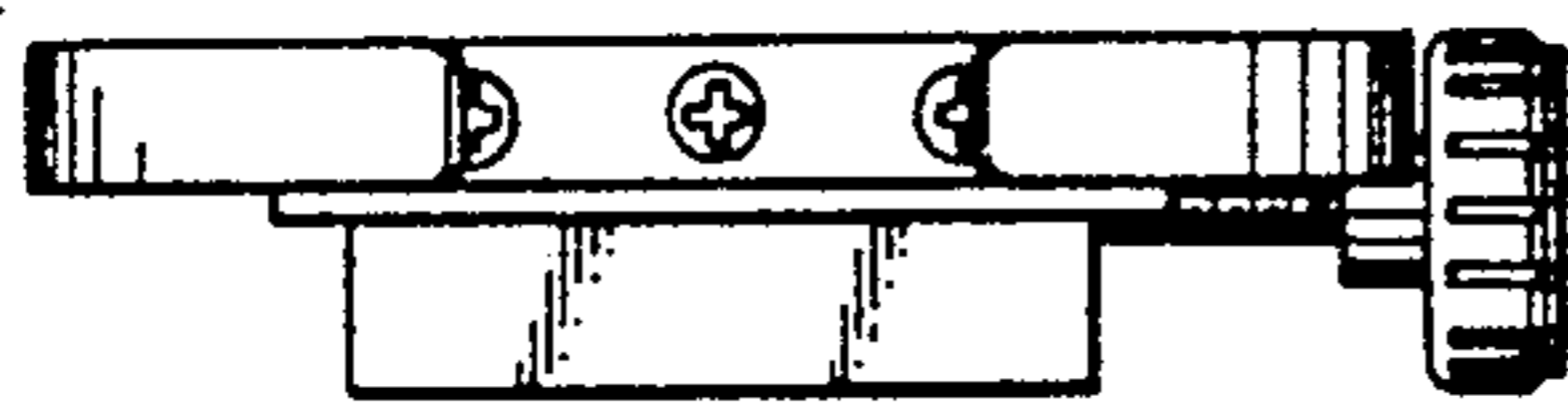


FIG. 6

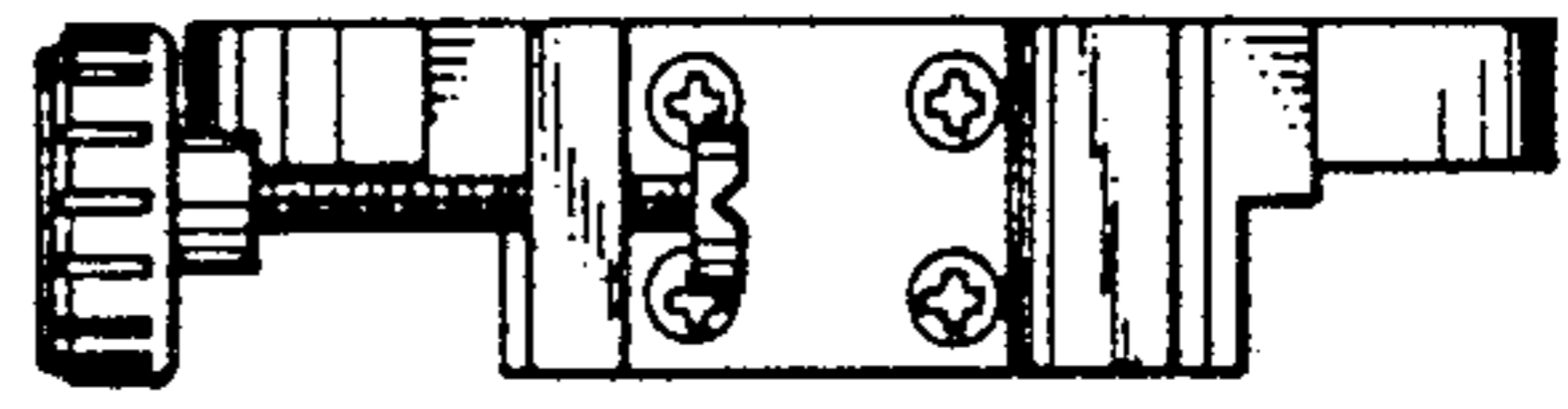


FIG. 7

