

[54] **HAND MIXER HOUSING**

[75] **Inventor: Norman A. Steinkamp, La Grange Park, Ill.**

[73] **Assignee: Sunbeam Corporation, Downers Grove, Ill.**

[**] **Term: 14 Years**

[21] **Appl. No.: 714,656**

[22] **Filed: Mar. 21, 1985**

[52] **U.S. Cl. D7/379; D7/376**

[58] **Field of Search D7/376, 379, 380; 366/129; 241/168, 169.1**

[56] **References Cited**

U.S. PATENT DOCUMENTS

D. 201,629	7/1965	Madl	D7/379
D. 220,883	6/1971	Steinkamp	D7/379
D. 224,132	7/1972	Yamamoto	D7/379
D. 279,856	7/1985	Elkerbout	D7/376 X
2,931,632	4/1960	De Angelis et al.	366/129

2,987,636	6/1961	Jepson	366/129 X
3,660,741	5/1972	Walter	366/129 X
4,549,811	10/1985	Schiffner et al.	366/129

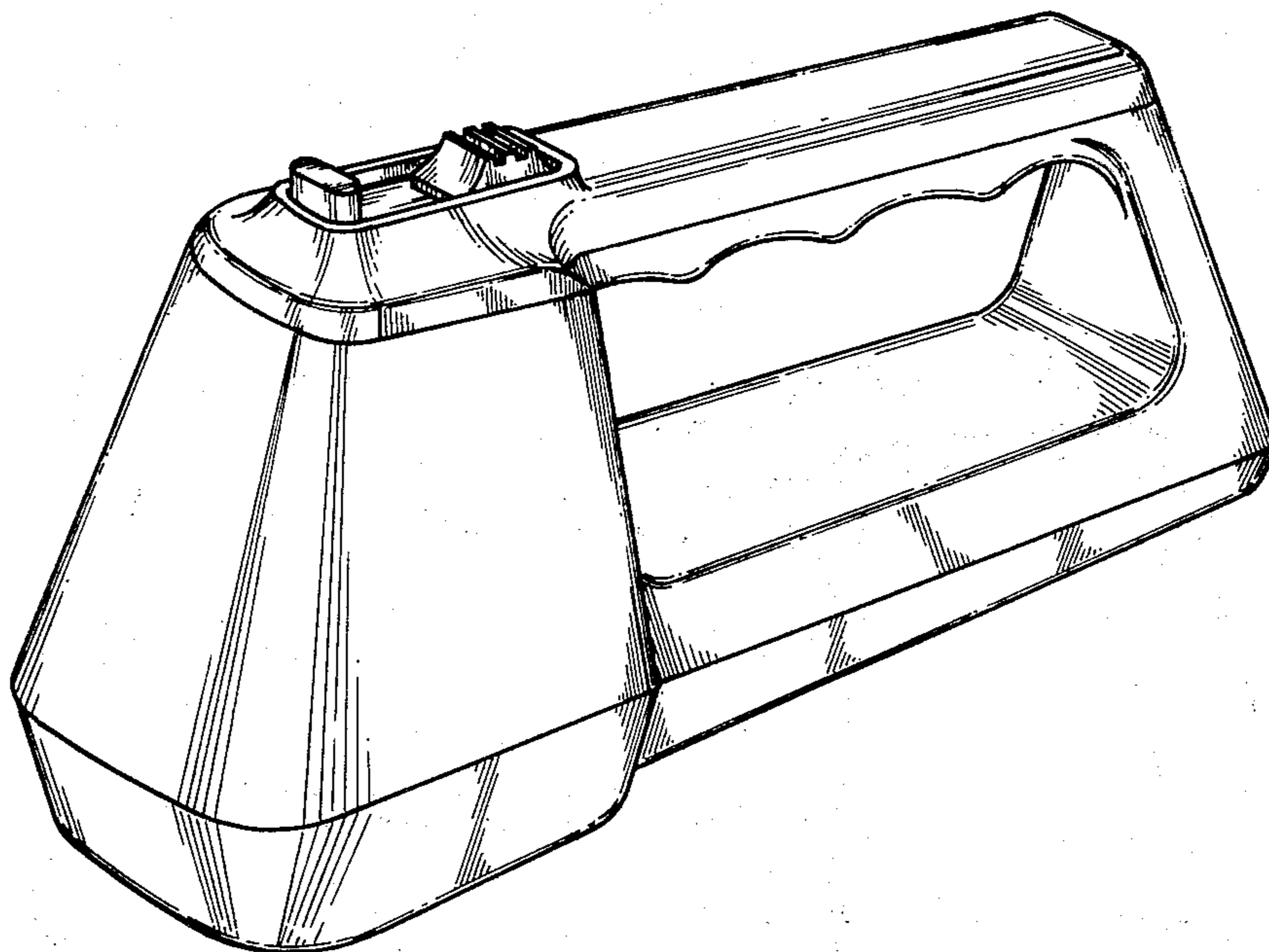
Primary Examiner—Bernard Ansher
Assistant Examiner—Linda Titolo
Attorney, Agent, or Firm—Neil M. Rose

[57] **CLAIM**

The ornamental design for a hand mixer housing, as shown and described.

DESCRIPTION

FIG. 1 is a top front and right side perspective view of a hand mixer housing, showing my new design; FIG. 2 is a right side elevational view thereof, the fragmentary broken lines indicating the shank of a beater are shown for illustrative purposes only; FIG. 3 is a left side elevational view thereof; FIG. 4 is a top plan view thereof; FIG. 5 is a bottom plan view thereof; FIG. 6 is a front end elevational view thereof; and FIG. 7 is a rear end elevational view thereof.



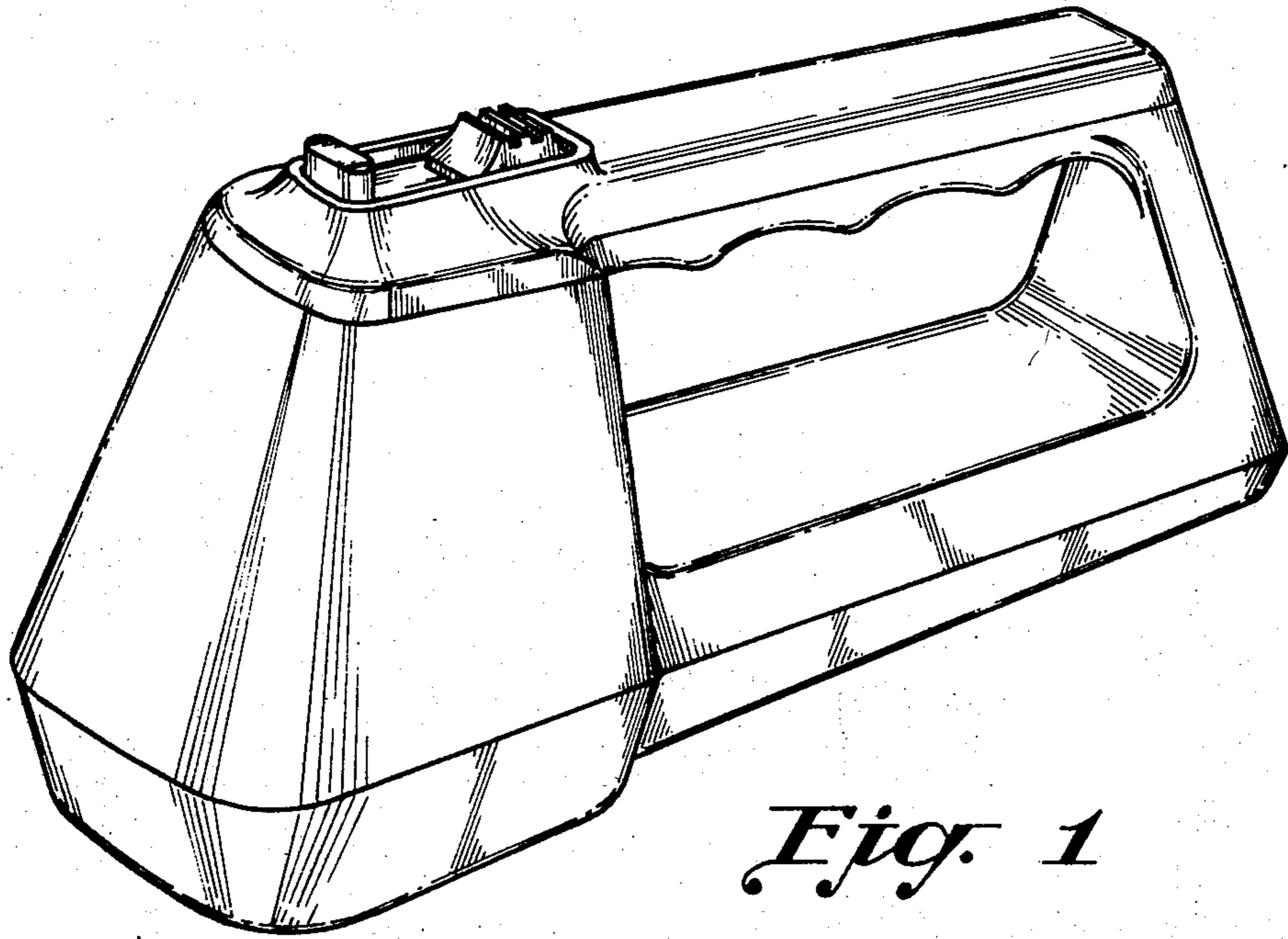


Fig. 1

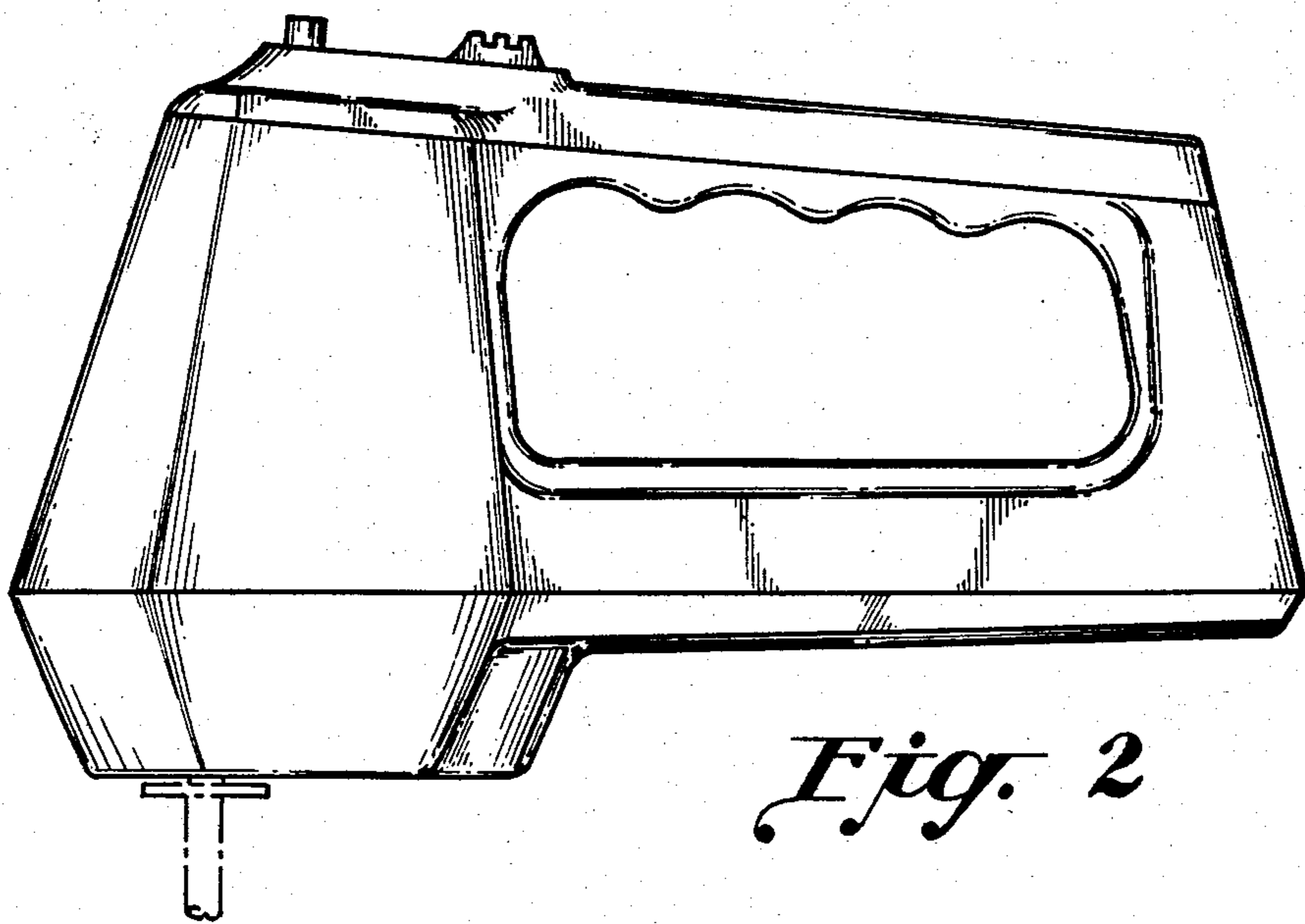


Fig. 2

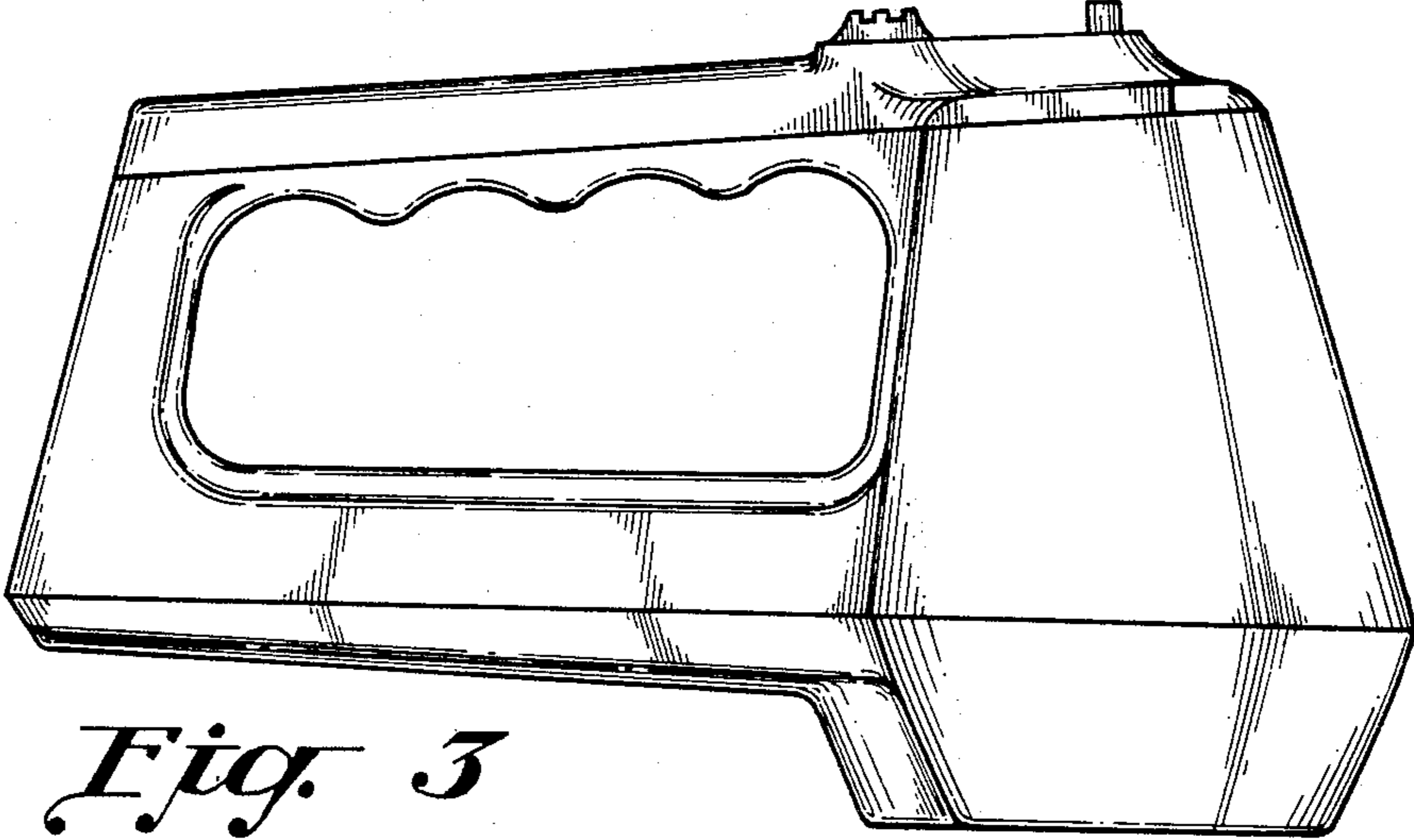


Fig. 3

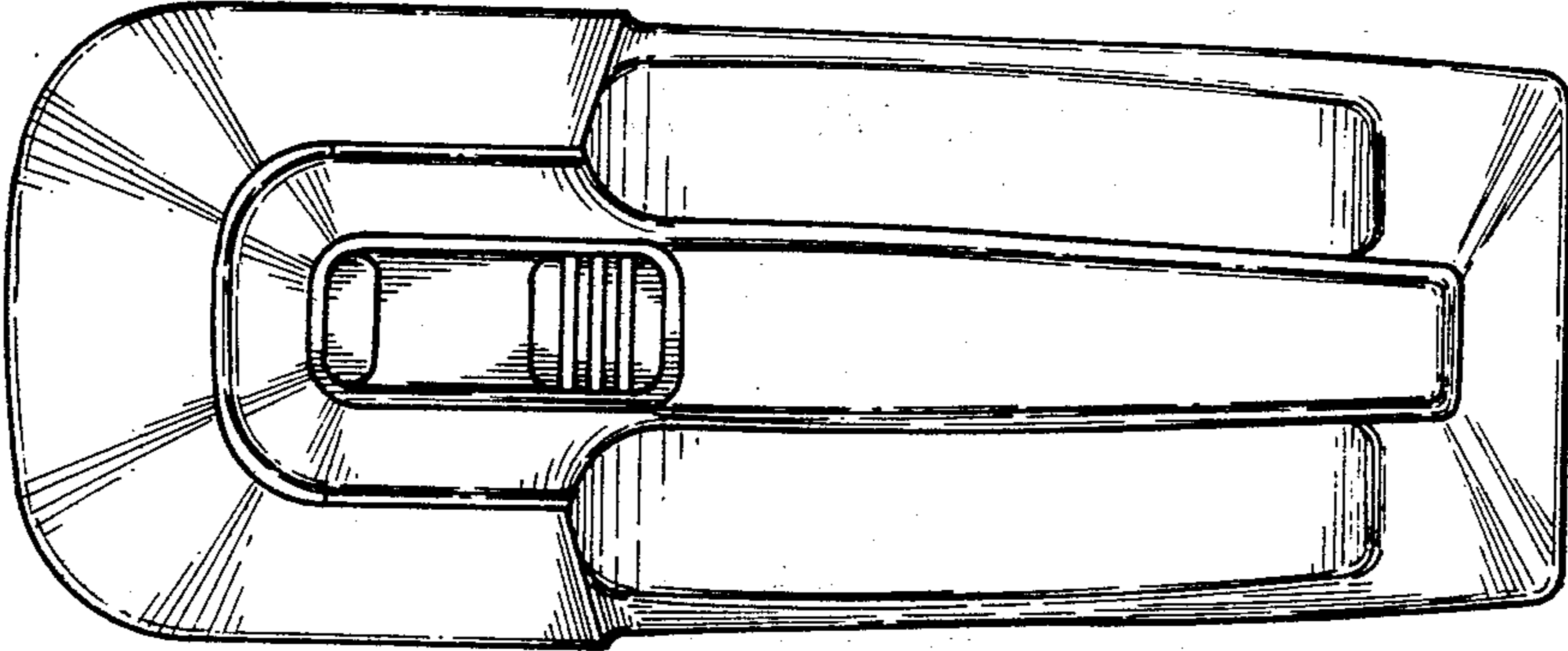


Fig. 4

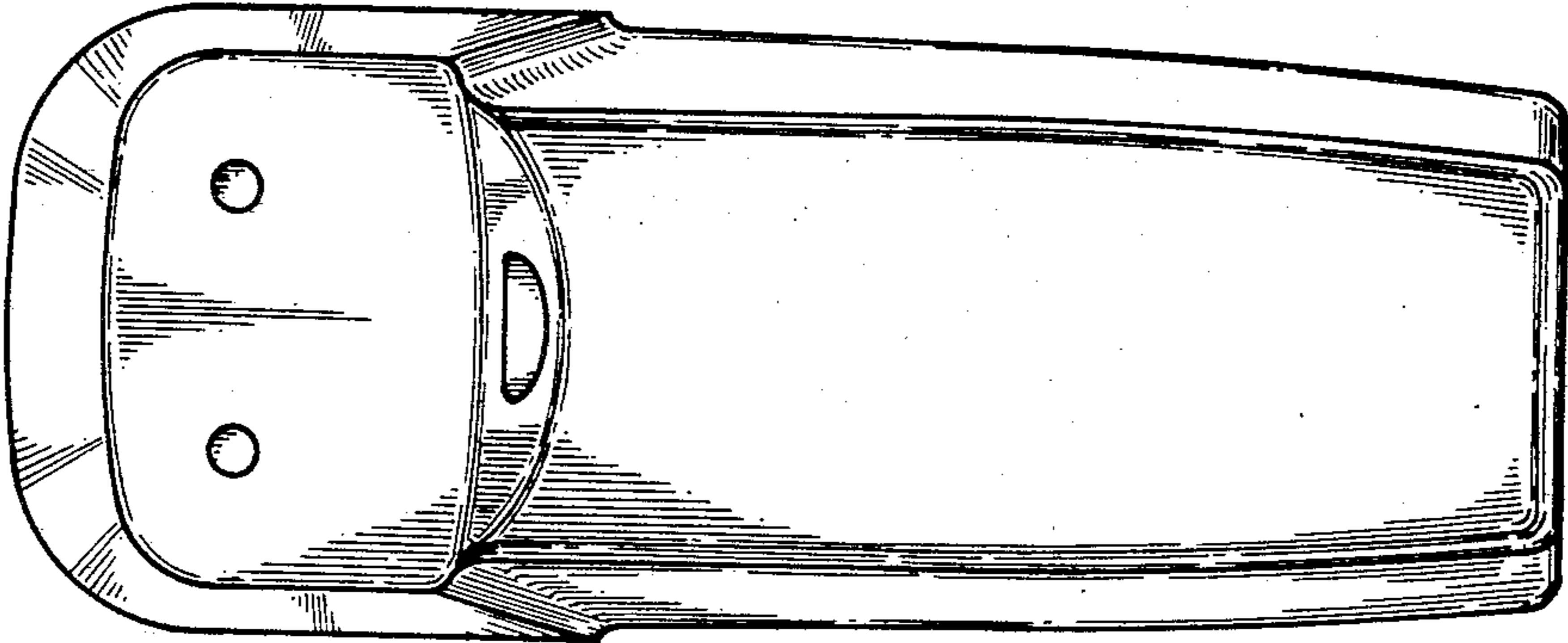


Fig. 5

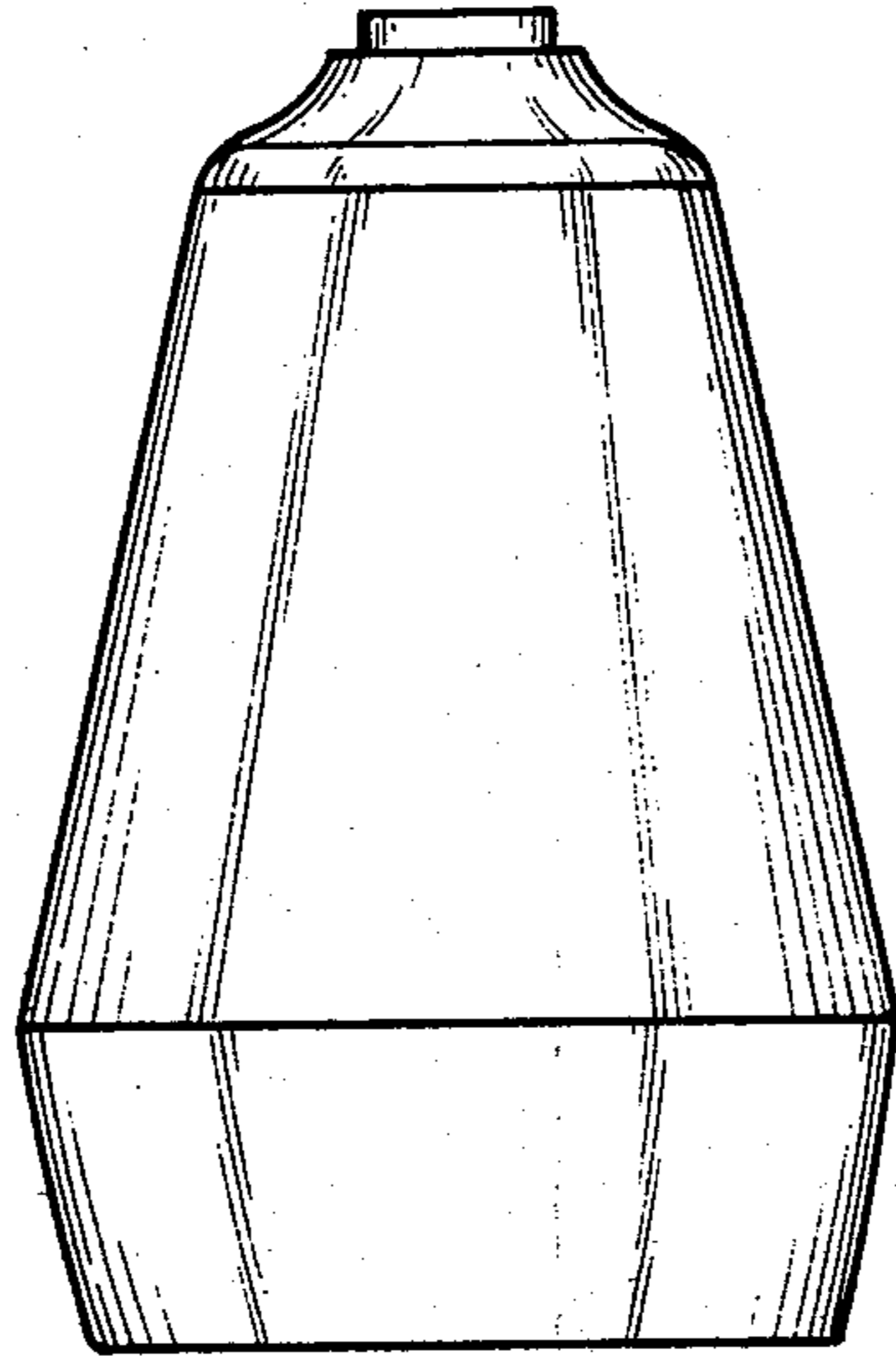


Fig. 6

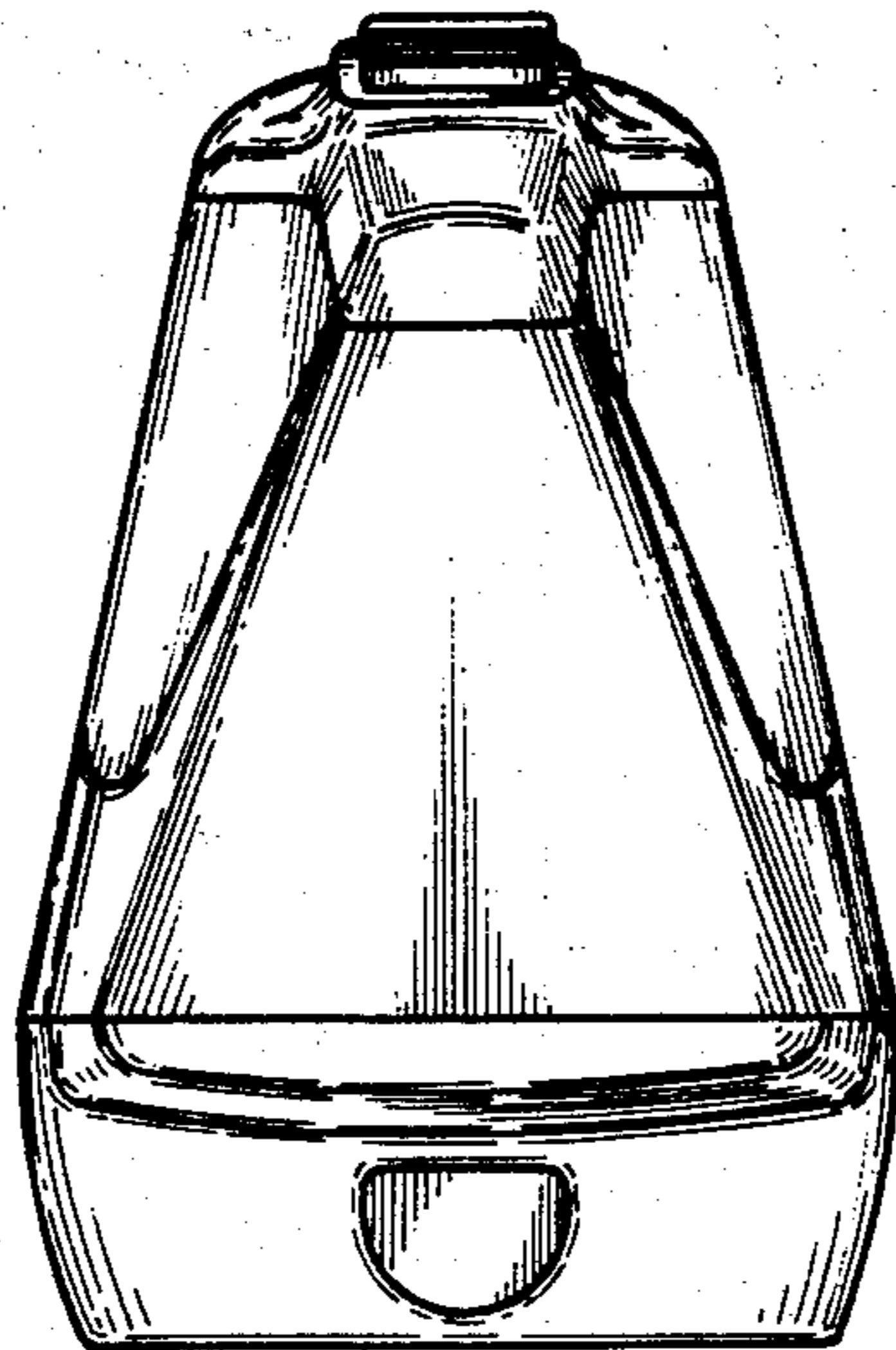


Fig. 7