

[54] **SOAP DISH**

[75] **Inventor: John P. Chap, Lemont, Ill.**

[73] **Assignee: Selfix, Inc., Chicago, Ill.**

[**] **Term: 14 Years**

[21] **Appl. No.: 689,080**

[22] **Filed: Jan. 4, 1985**

[52] **U.S. Cl. D6/540**

[58] **Field of Search D6/524, 532, 536, 540;
206/77.1; 211/87, 90; 248/309.1, 360, 311.2**

[56] **References Cited**

U.S. PATENT DOCUMENTS

- D. 099,481 4/1936 Levy D6/540
- D. 255,732 7/1980 Thomasson D6/540
- D. 259,374 6/1981 Crowe D6/540
- D. 272,588 2/1984 Shames D6/540

FOREIGN PATENT DOCUMENTS

- 2364014 5/1978 France 248/311.2

OTHER PUBLICATIONS

Sweet's Architectural Cat. File 1978; Sec. 10.16/Pa; p. 36; Soap Dish No. 1210.

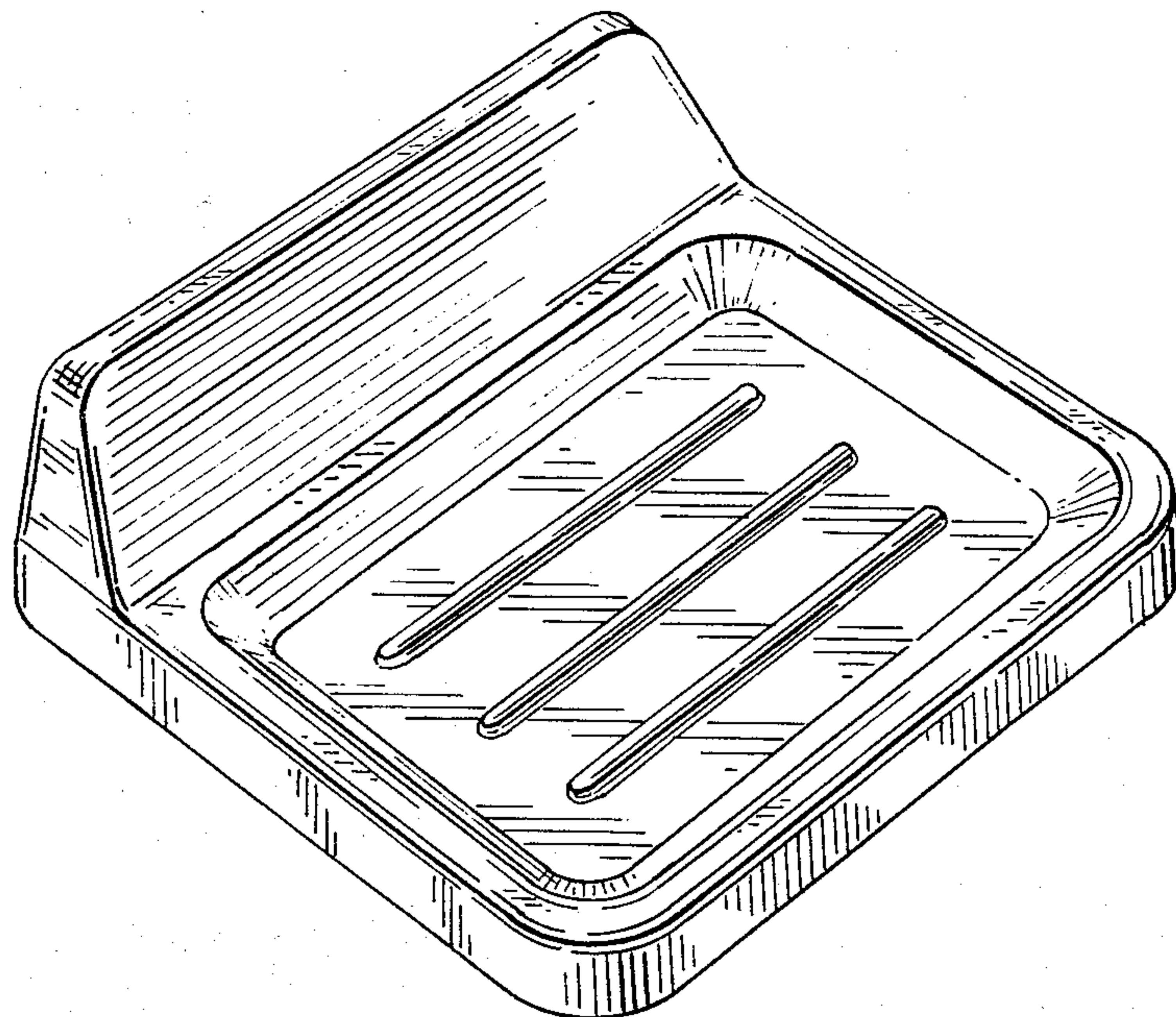
Primary Examiner—B. J. Bullock
Attorney, Agent, or Firm—Dressler, Goldsmith, Shore, Sutker & Milnamow, Ltd.

[57] **CLAIM**

The ornamental design for a soap dish, substantially as shown and described.

DESCRIPTION

FIG. 1 is a perspective view of a soap dish showing my new design;
FIG. 2 is a front elevational view thereof; the rear being unornamented;
FIG. 3 is a top plan view thereof, the bottom being unornamented;
FIG. 4 is a right side elevational view thereof;
FIG. 5 is a top plan view of a second embodiment of the design of FIG. 1. The only difference being the inclusion of drainage holes.



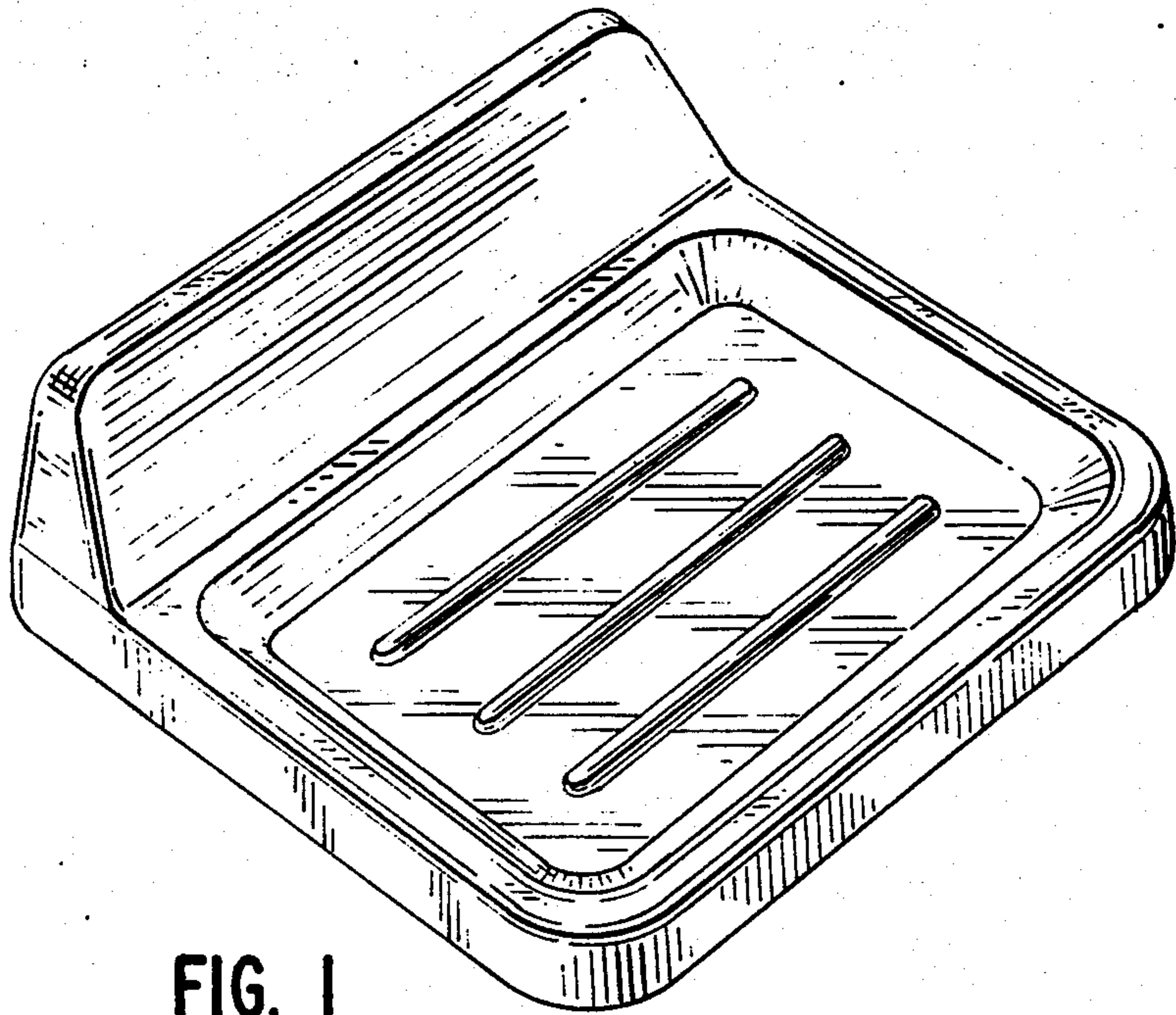


FIG. 1

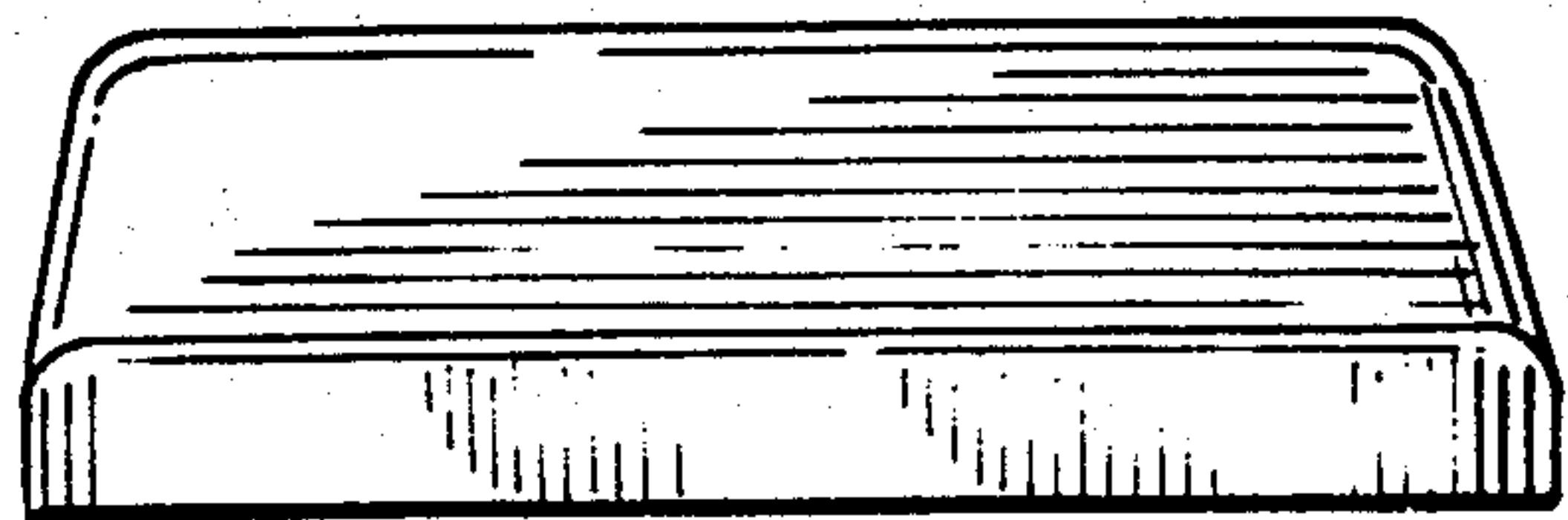


FIG. 2

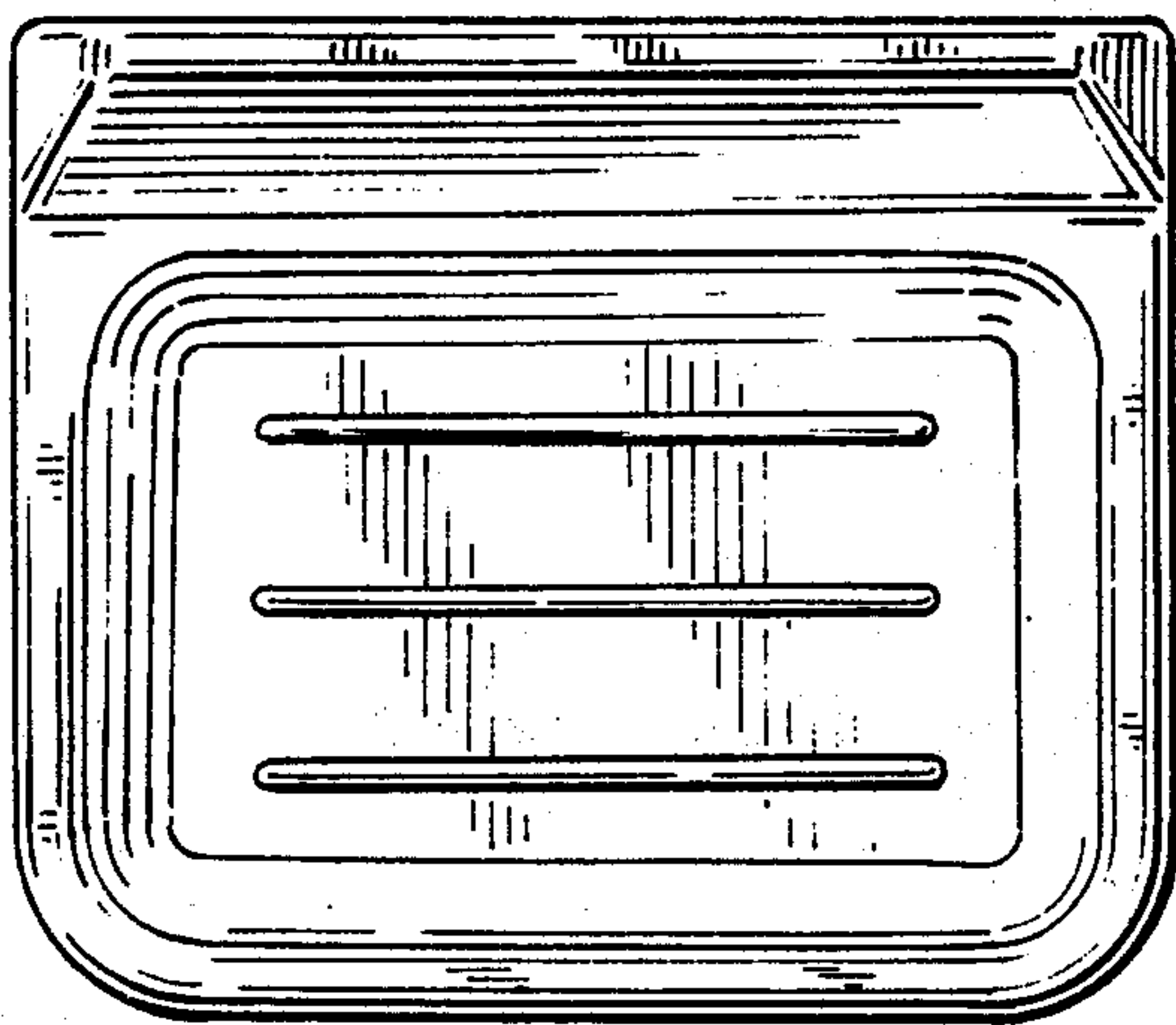


FIG. 3

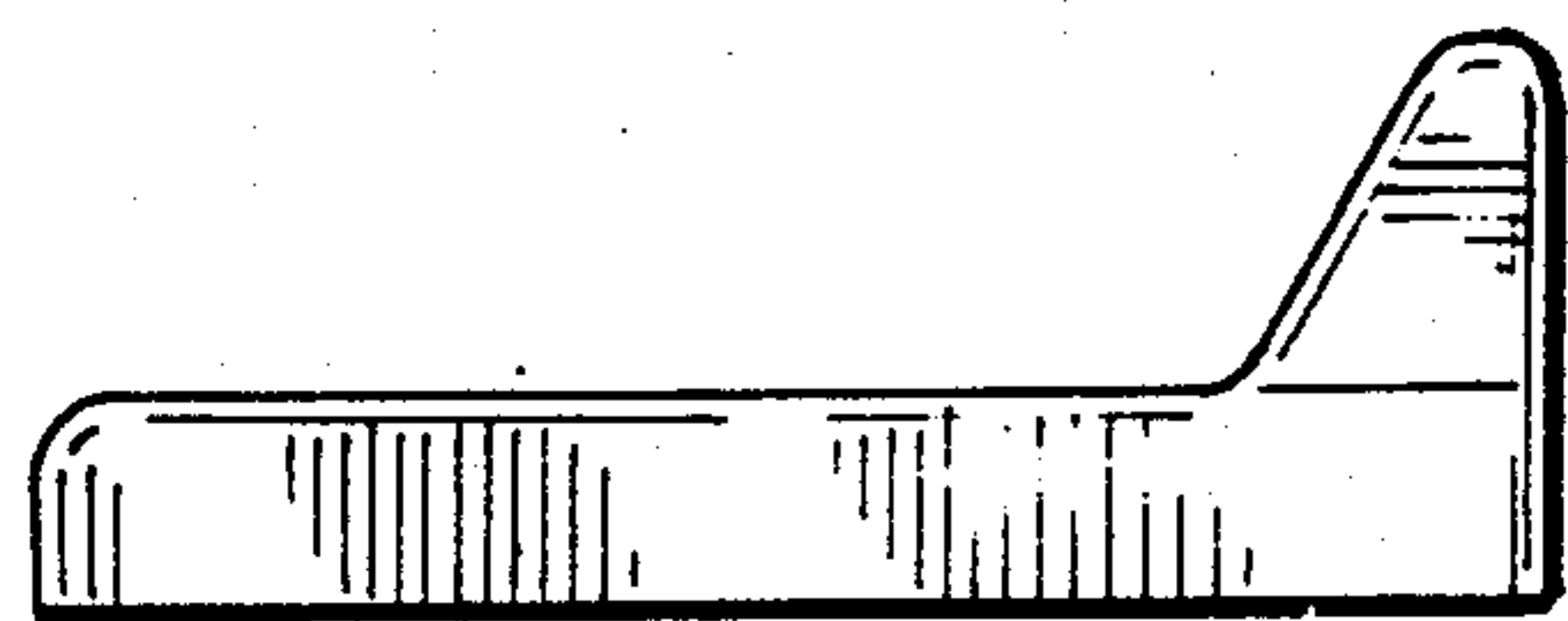


FIG. 4

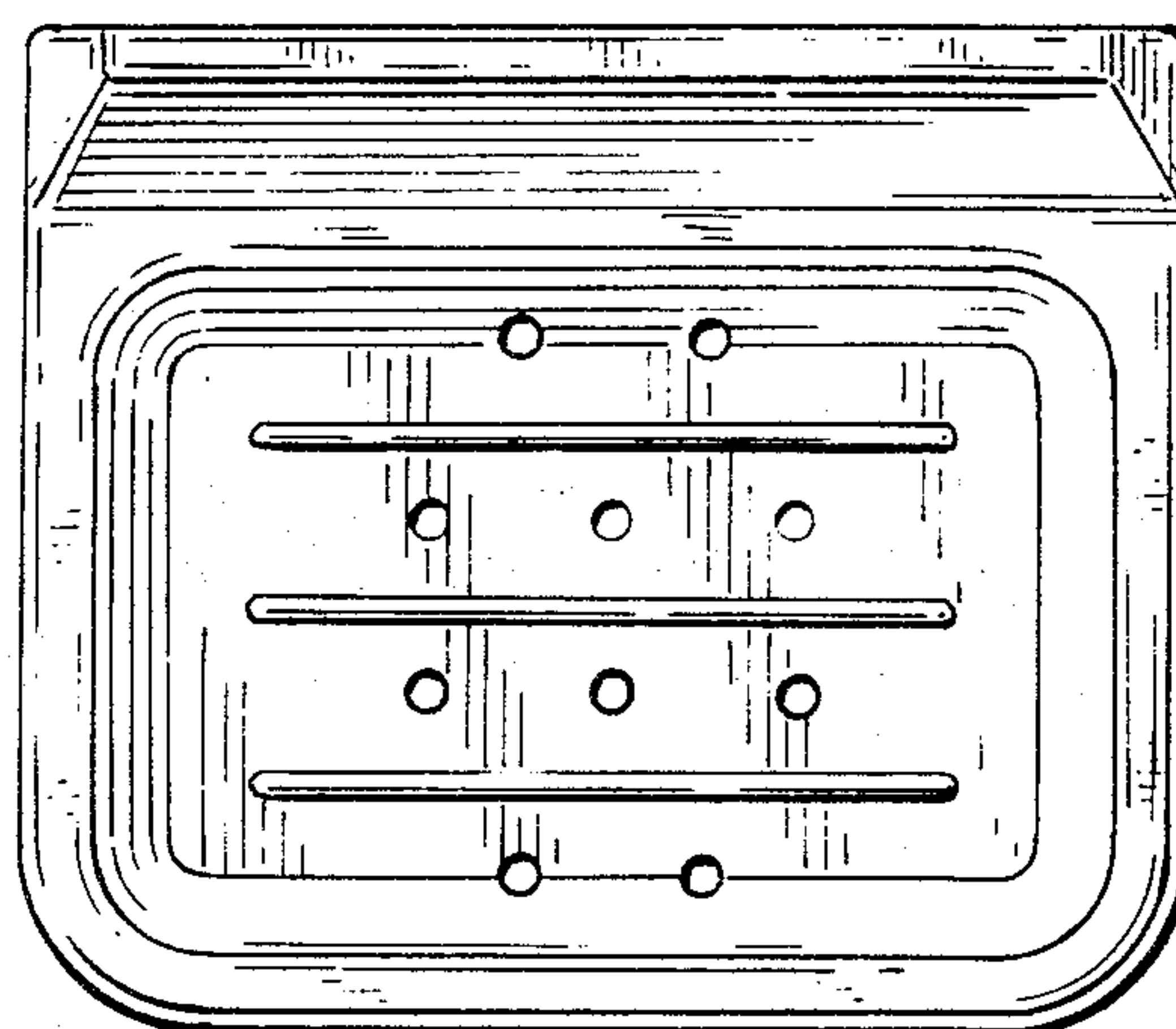


FIG. 5