

United States Patent [19]

Ucros

[11] Patent Number: **Des. 291,634**

[45] Date of Patent: **** Sep. 1, 1987**

[54] **FURNITURE SUPPORT STRUT**

[75] Inventor: **Raphael Ucros, Cerritos, Calif.**

[73] Assignee: **Environmental Production Systems Company, Irvine, Calif.**

[**] Term: **14 Years**

[21] Appl. No.: **711,622**

[22] Filed: **Mar. 14, 1985**

[52] U.S. Cl. **D6/491**

[58] Field of Search **D6/491, 495; 248/560, 248/561, 562**

[56] **References Cited**

U.S. PATENT DOCUMENTS

D. 283,381 4/1986 Bakker et al. **D6/495**

D. 287,284 12/1986 Pavy **D6/491 X**

Primary Examiner—Bruce W. Dunkins
Attorney, Agent, or Firm—G. Donald Weber, Jr.

[57] **CLAIM**

The ornamental design for a furniture support strut, as shown and described.

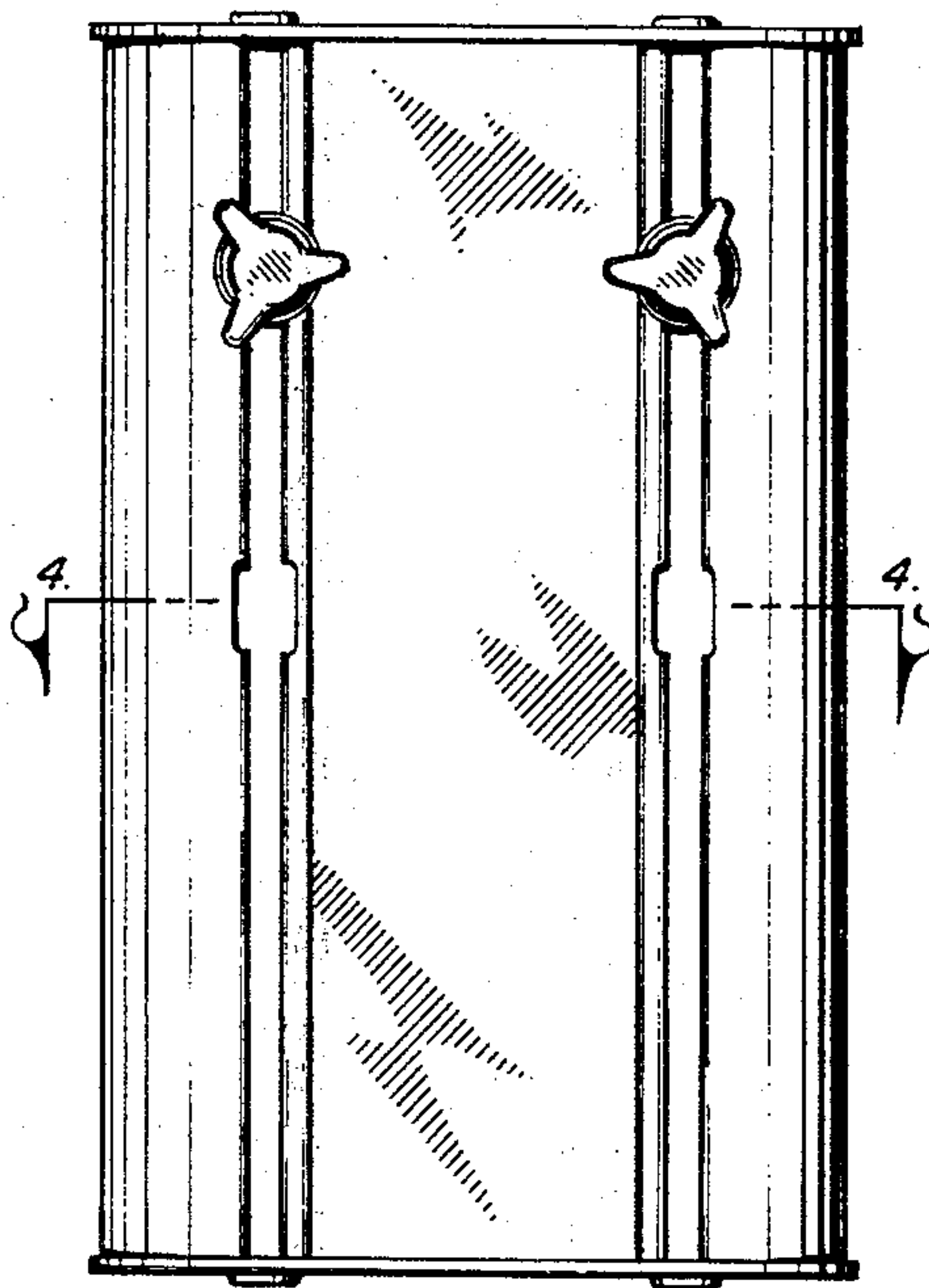
DESCRIPTION

FIG. 1 is a front elevational view of a furniture support strut showing my design, the undisclosed rear surface being a mirror image thereof;

FIG. 2 is a side elevational view, the opposite side being essentially identical thereto;

FIG. 3 is a top plan view with the end cap in place; and

FIG. 4 is a cross-sectional view of the strut taken along the line 4—4 of FIG. 1.



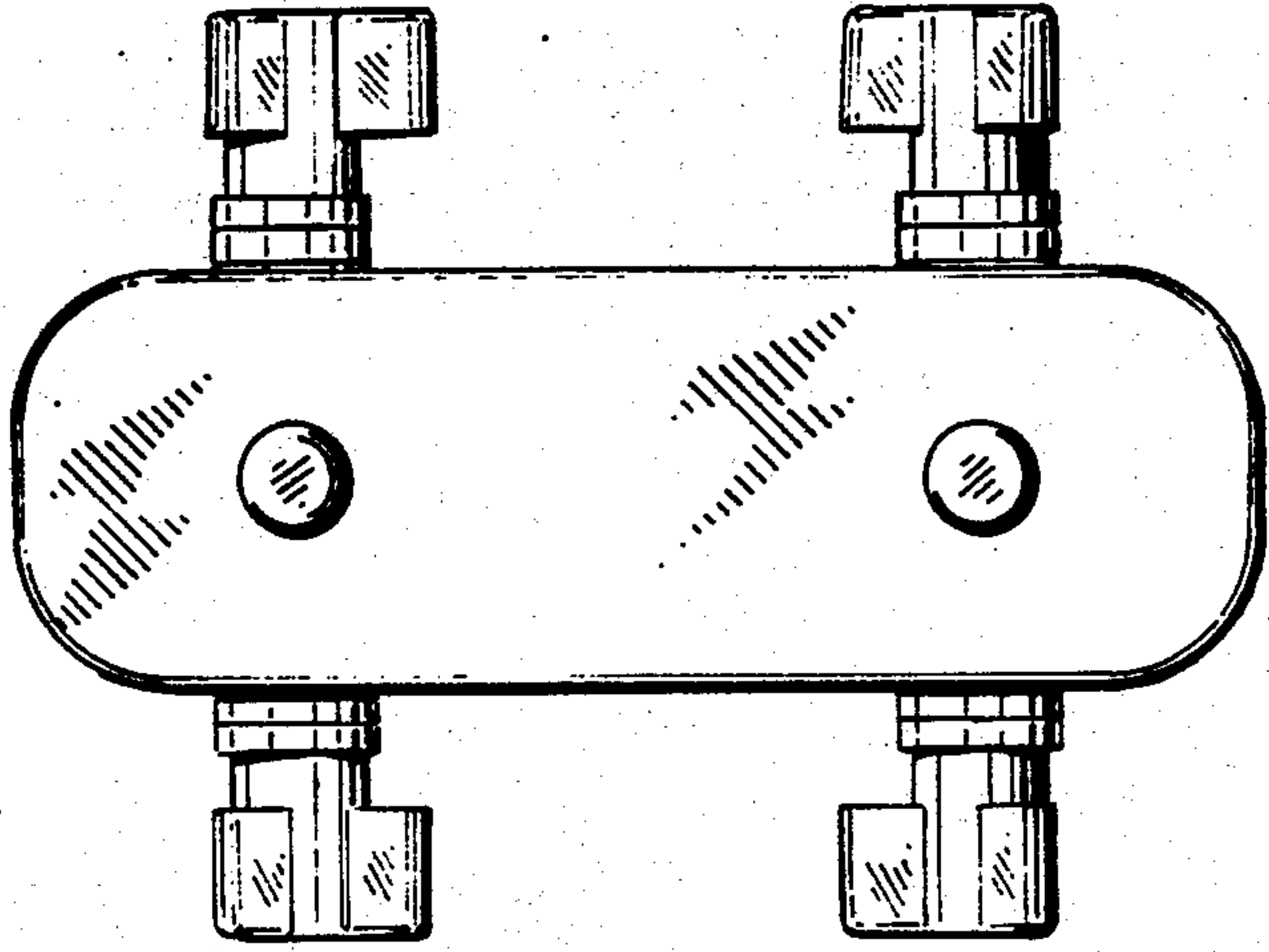


FIG. 3

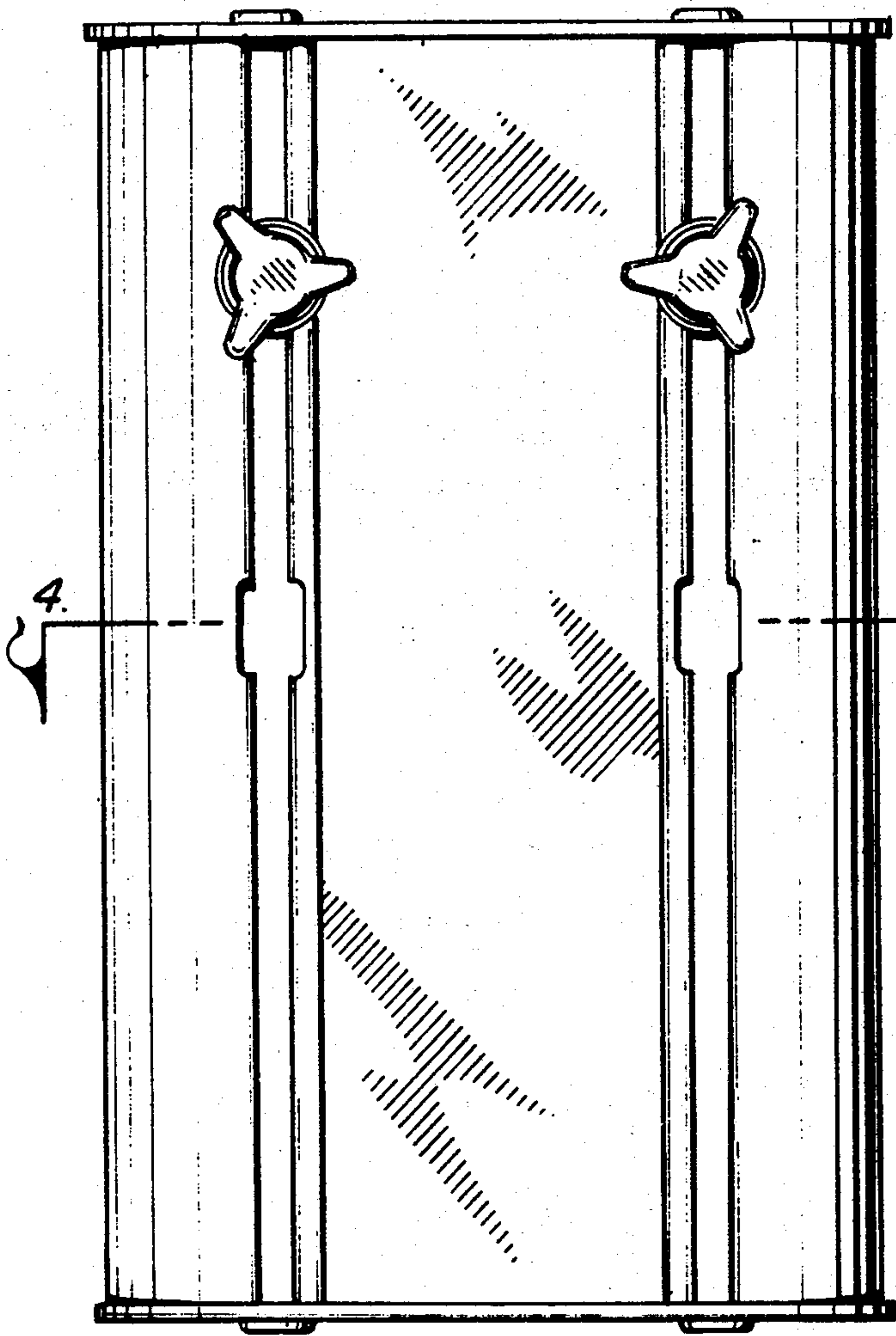


FIG. 1

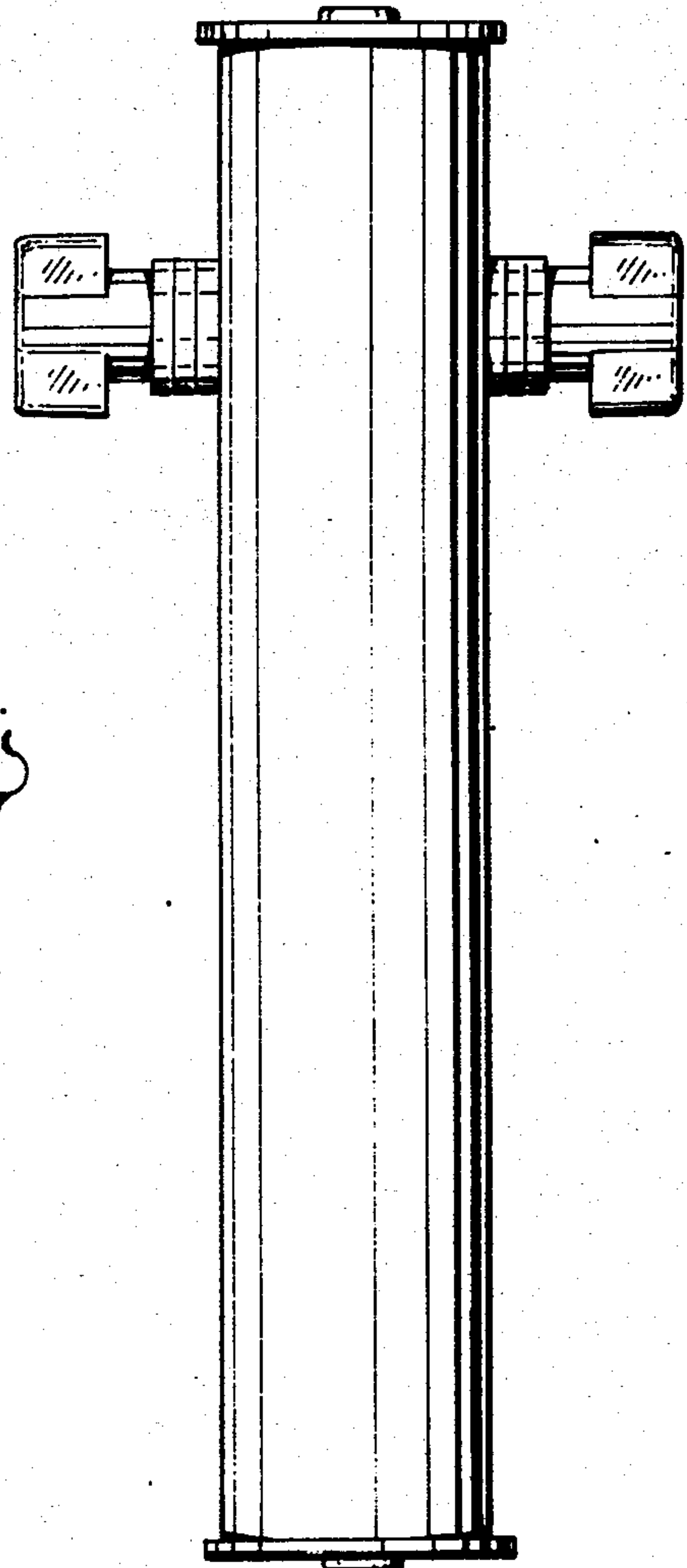


FIG. 2

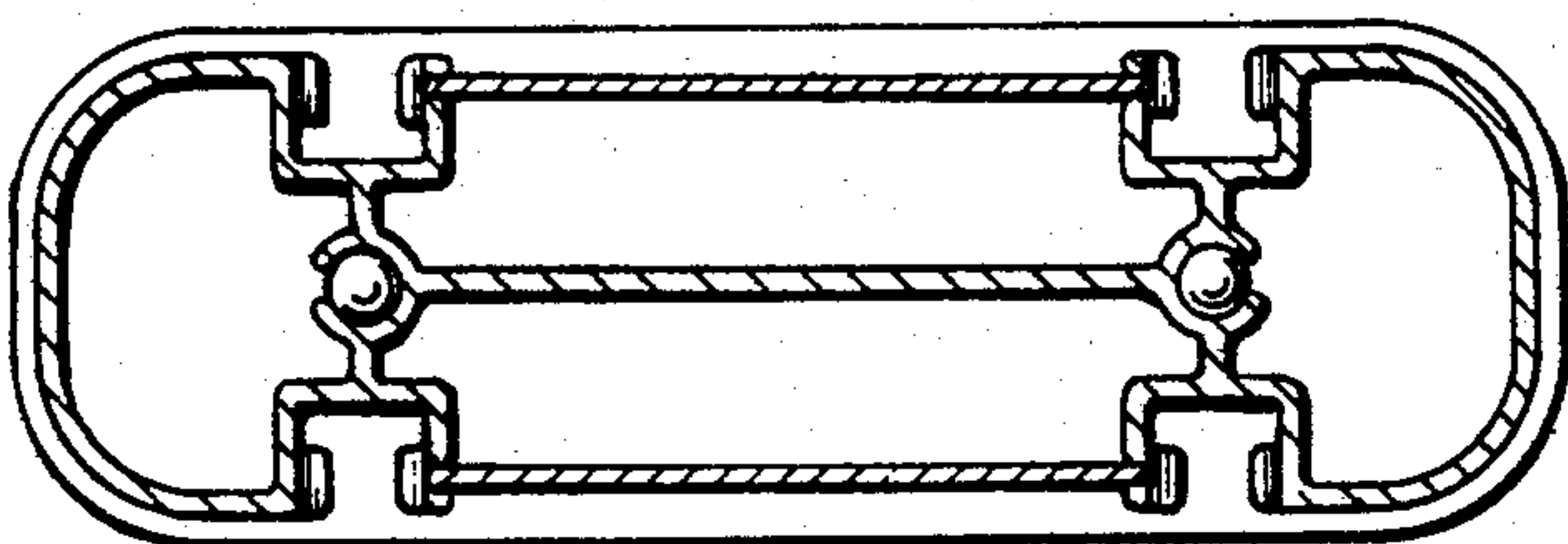


FIG. 4