

United States Patent [19]
Poltere

[11] **Patent Number: Des. 291,628**

[45] **Date of Patent: ** Sep. 1, 1987**

[54] **BOOK HOLDER**

[76] **Inventor: Lillian Poltere, 5733 Lord Cecil St., San Diego, Calif. 92122**

[**] **Term: 14 Years**

[21] **Appl. No.: 700,272**

[22] **Filed: Feb. 11, 1985**

[52] **U.S. Cl. D6/310; D6/300; D6/419**

[58] **Field of Search D6/300, 310, 311, 419; D19/34, 91; 248/451, 452, 453, 463**

[56] **References Cited**

U.S. PATENT DOCUMENTS

D. 206,305	11/1966	Lynch	D6/310
D. 227,326	6/1973	Venuta	D6/310
D. 249,953	10/1978	Drake	D19/91
2,441,655	5/1948	Anderson	248/463

3,411,741	11/1968	Nadler	248/453
4,470,571	9/1984	Hartman	248/452

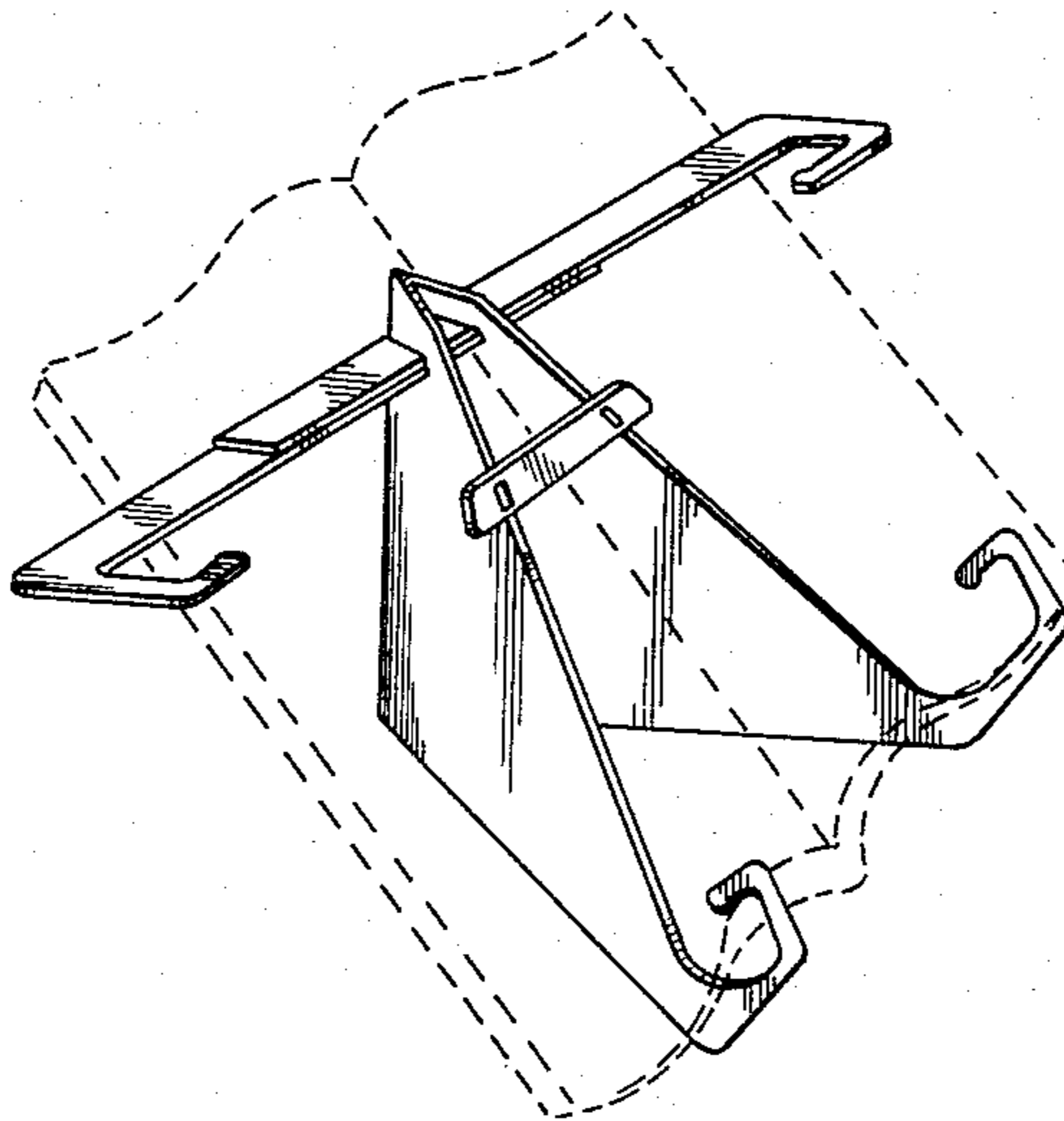
Primary Examiner—Bruce W. Dunkins
Attorney, Agent, or Firm—Charmasson & Holz

[57] **CLAIM**

The ornamental design for a book holder, as shown and described.

DESCRIPTION

FIG. 1 is a front elevational view of a book holder showing my new design;
FIG. 2 is a top plan view thereof;
FIG. 3 is a bottom plan view thereof;
FIG. 4 is a rear elevational view thereof;
FIG. 5 is a side elevational view thereof; and
FIG. 6 is a front perspective view thereof.
The broken lines indicating a book in FIG. 6 are shown for illustrative purposes only.



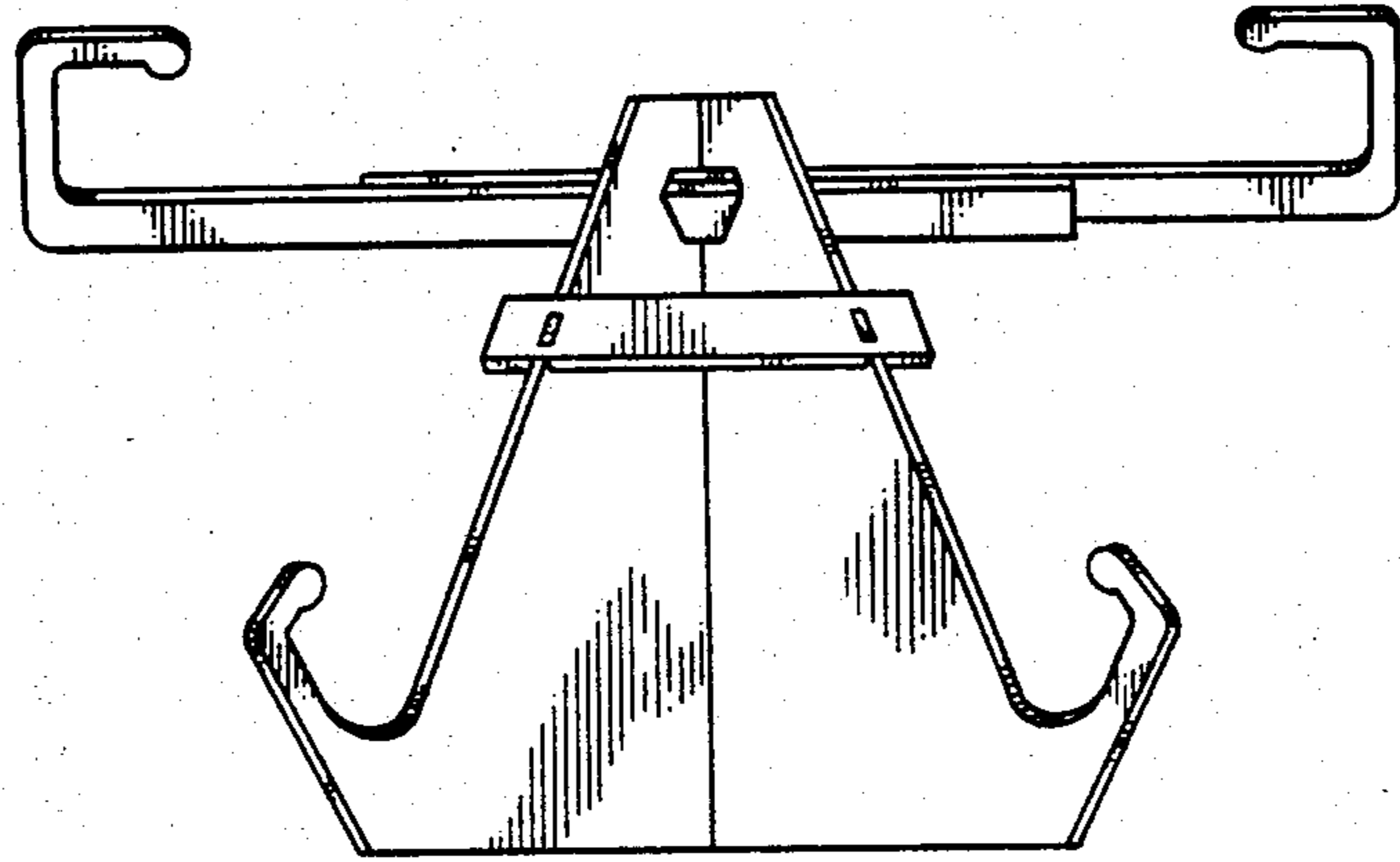


FIG. 1

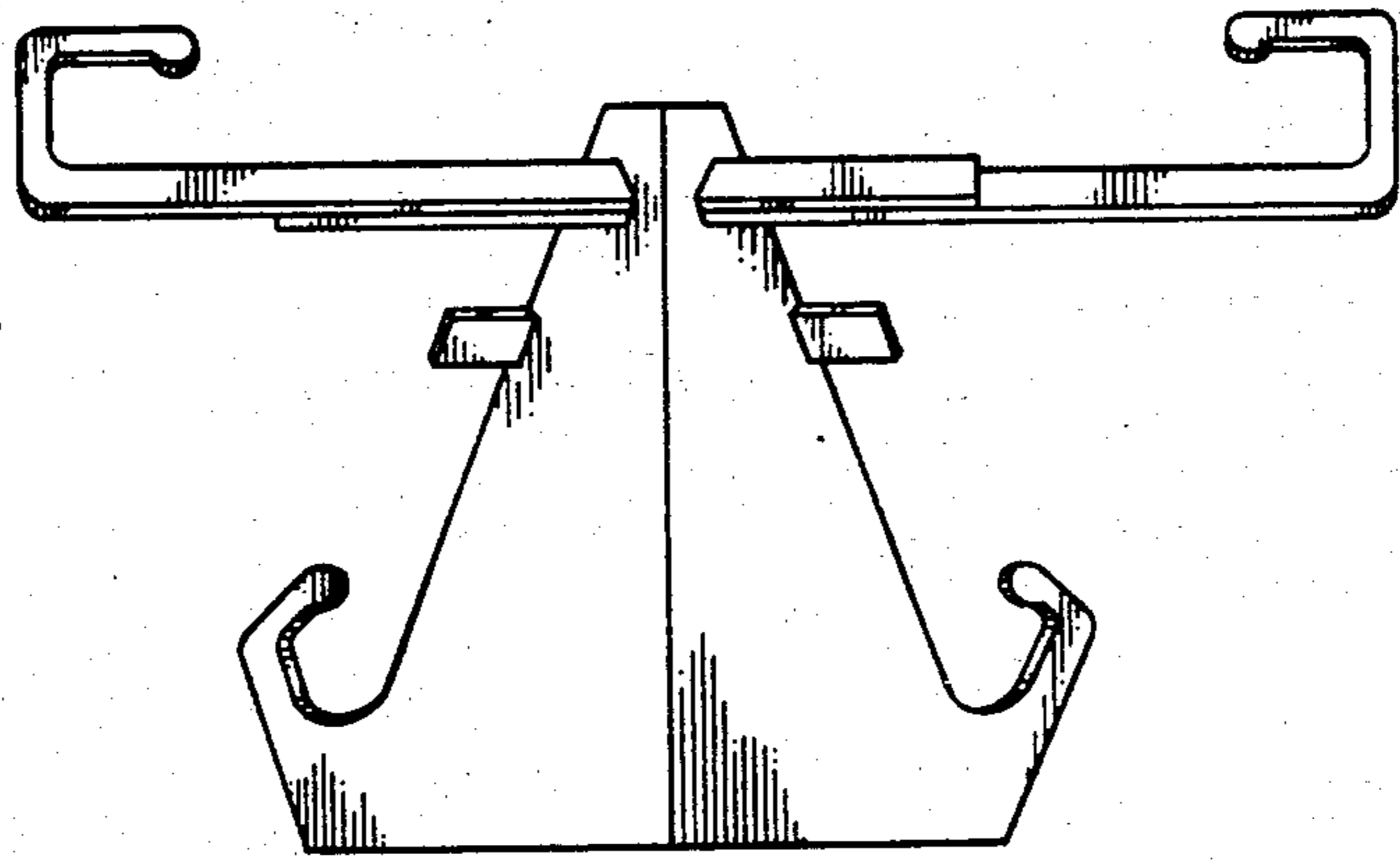


FIG. 4

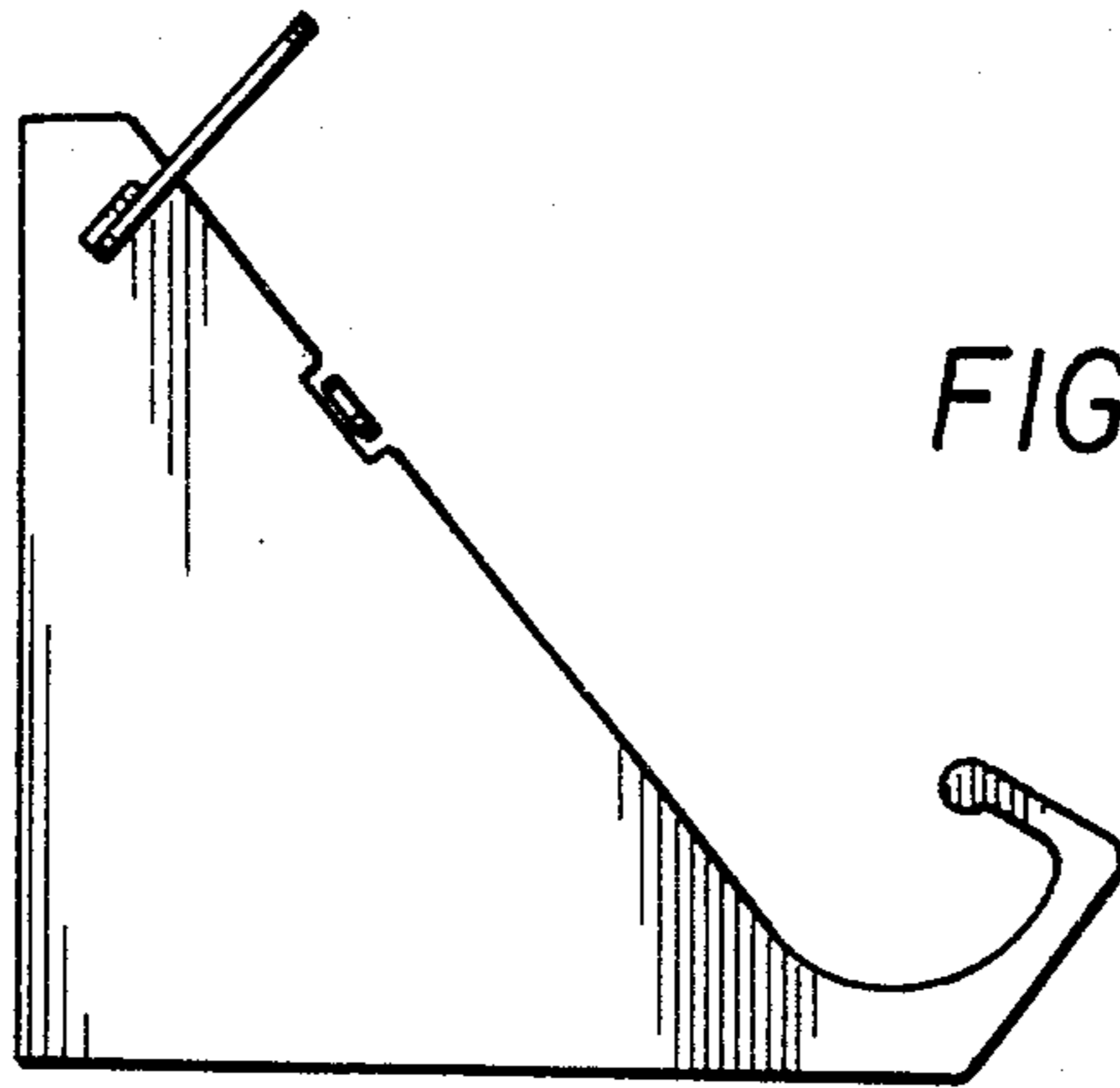


FIG. 5

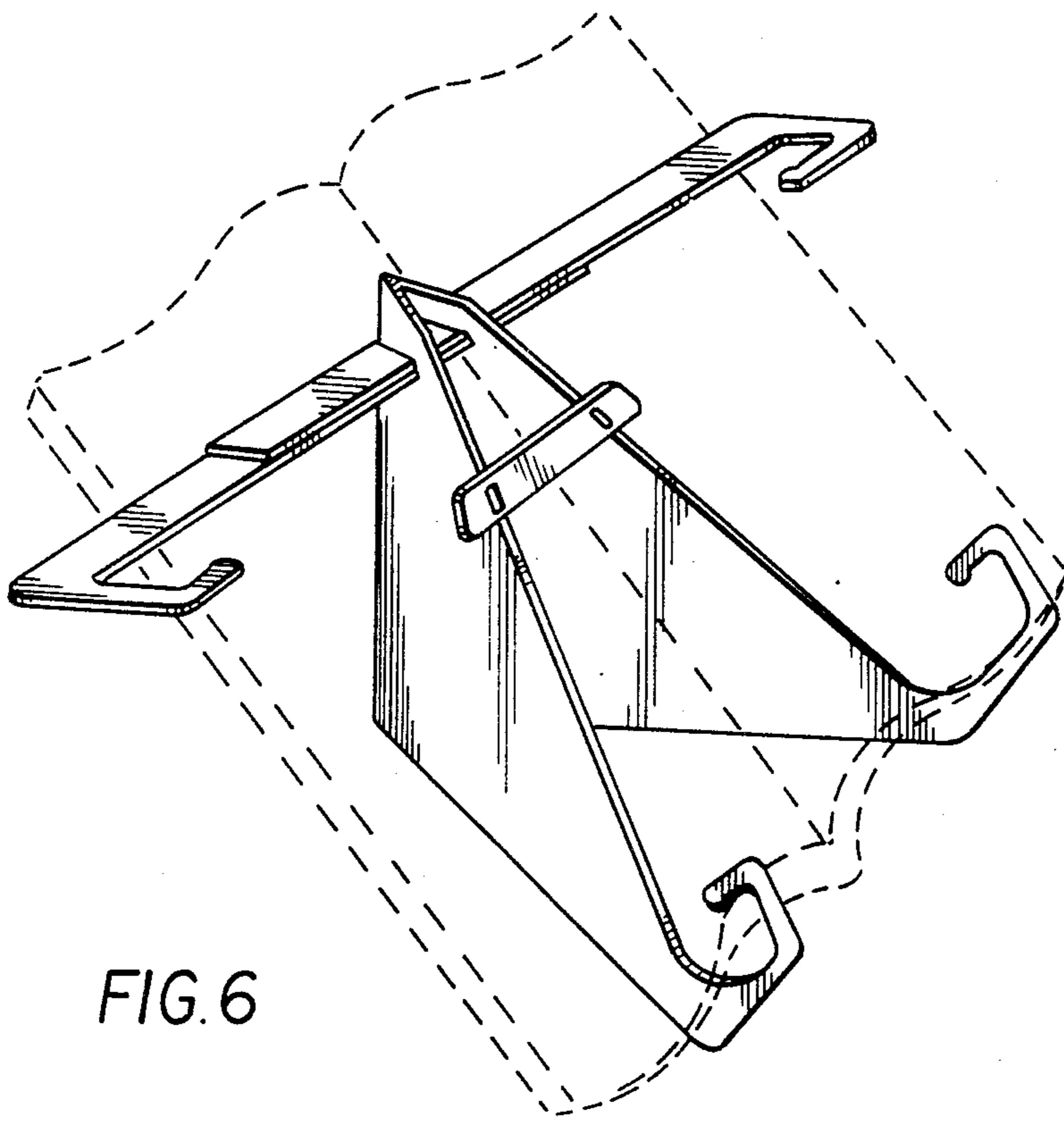


FIG. 6

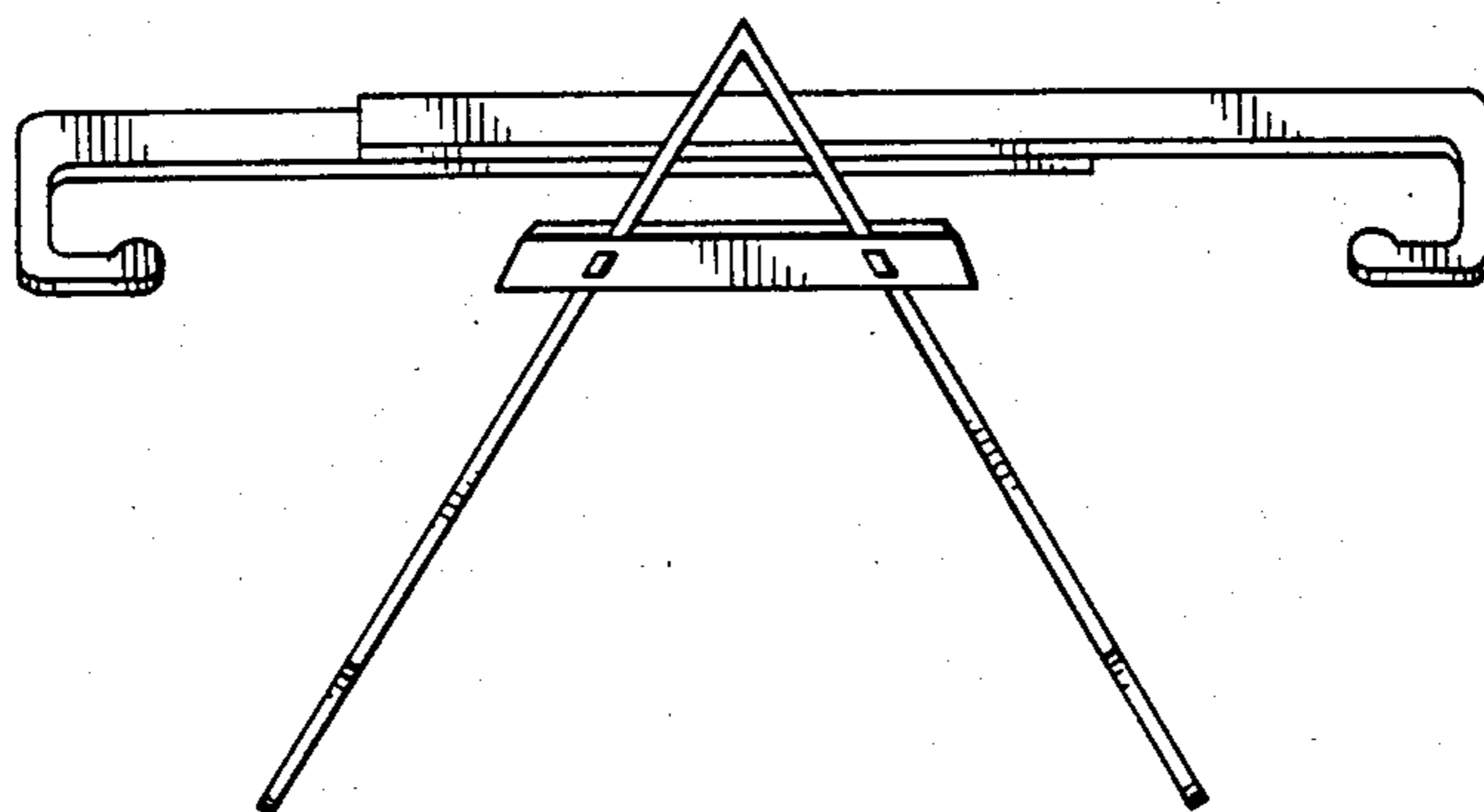


FIG. 2

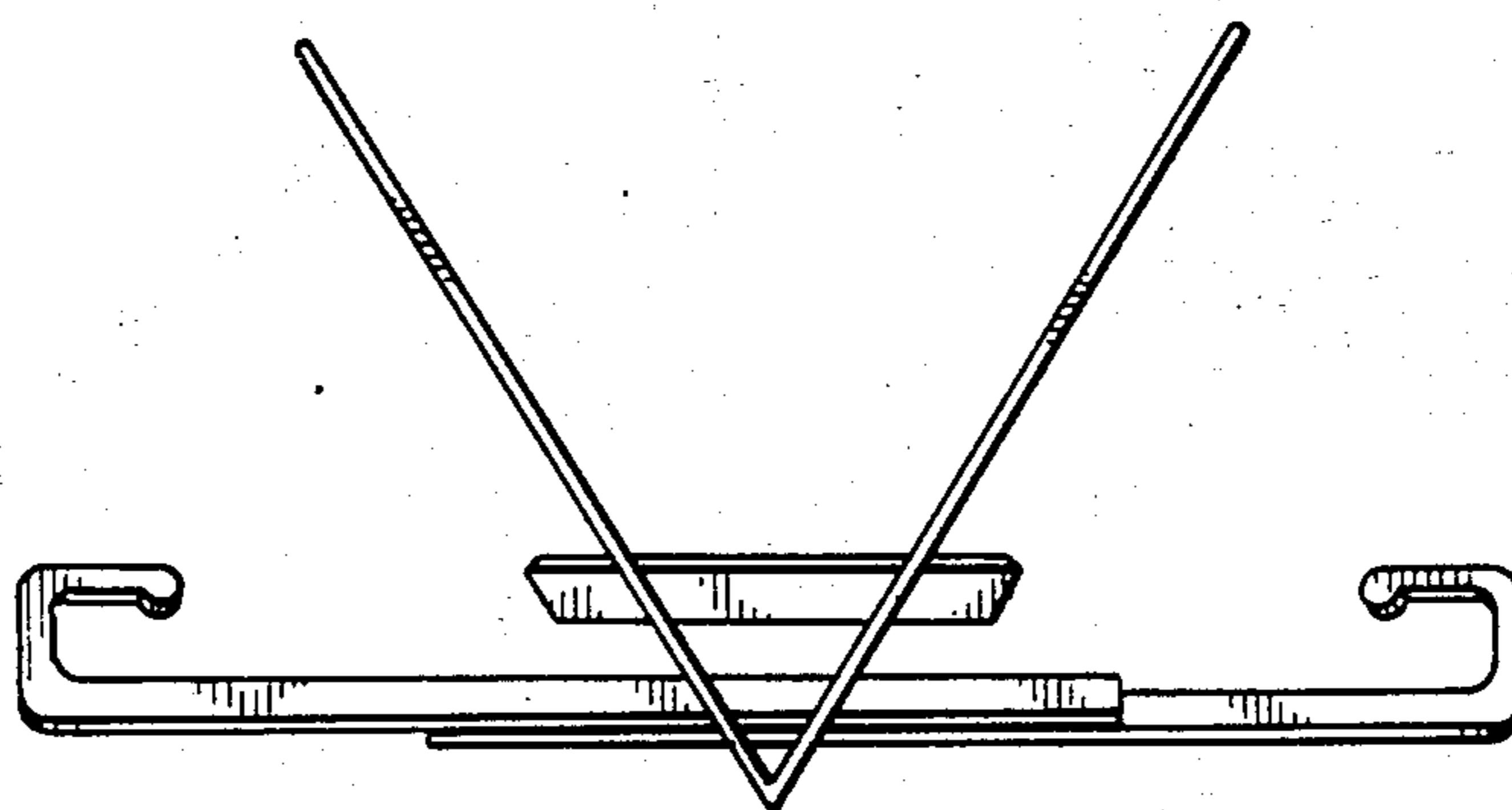


FIG. 3