

[54] COMBINED BIRD FEEDER AND THERMOMETER

[76] Inventor: Mark J. Metzner, 650 Anthony Trail, Northbrook, Ill. 60062

[**] Term: 14 Years

[21] Appl. No.: 750,468

[22] Filed: Jul. 1, 1985

[52] U.S. Cl. D30/14

[58] Field of Search D30/13-18; 119/51 R, 52 R

[56] References Cited

U.S. PATENT DOCUMENTS

D. 274,013	5/1984	Sun	D30/14
4,261,294	4/1981	Bescherer	119/51 R
4,361,116	11/1982	Kilham	119/51 R

OTHER PUBLICATIONS

Duncraft Wild Bird Specialist Catalog, p. 4, lower left item.

Primary Examiner—James R. Largen
Attorney, Agent, or Firm—Welsh & Katz, Ltd.

[57] CLAIM

The ornamental design for a combined bird feeder and thermometer, substantially as shown and described.

DESCRIPTION

FIG. 1 is a rear perspective view of a combined bird feeder and thermometer showing my new design.

FIG. 2 is a front perspective view thereof;

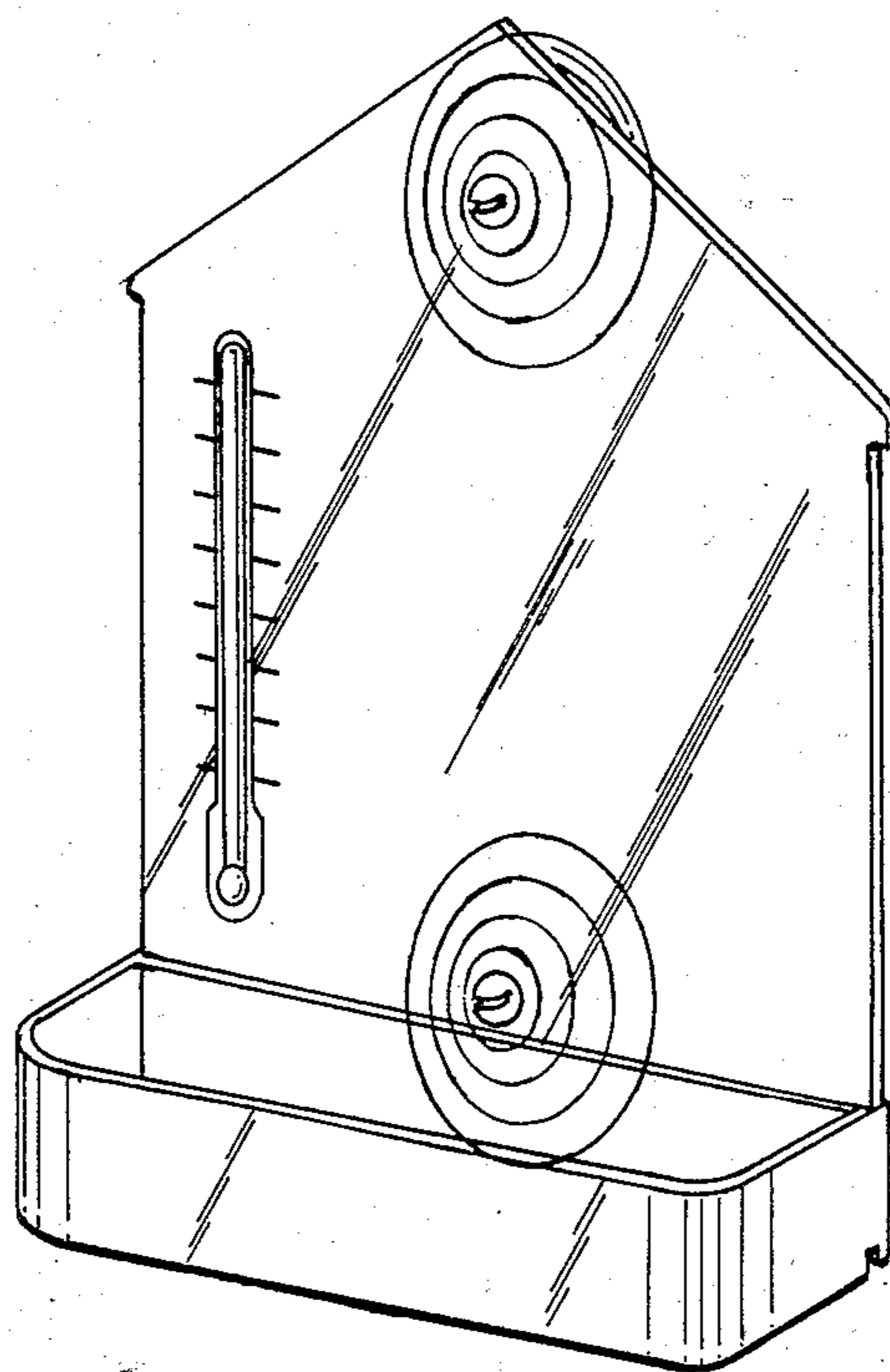
FIG. 3 is a bottom plan view thereof;

FIG. 4 is a front elevational view thereof;

FIG. 5 is a rear elevational view thereof;

FIG. 6 is a top plan view thereof; and

FIG. 7 is a left side elevational view thereof, the right side being a mirror image of the left side shown, except for the location of the thermometer.



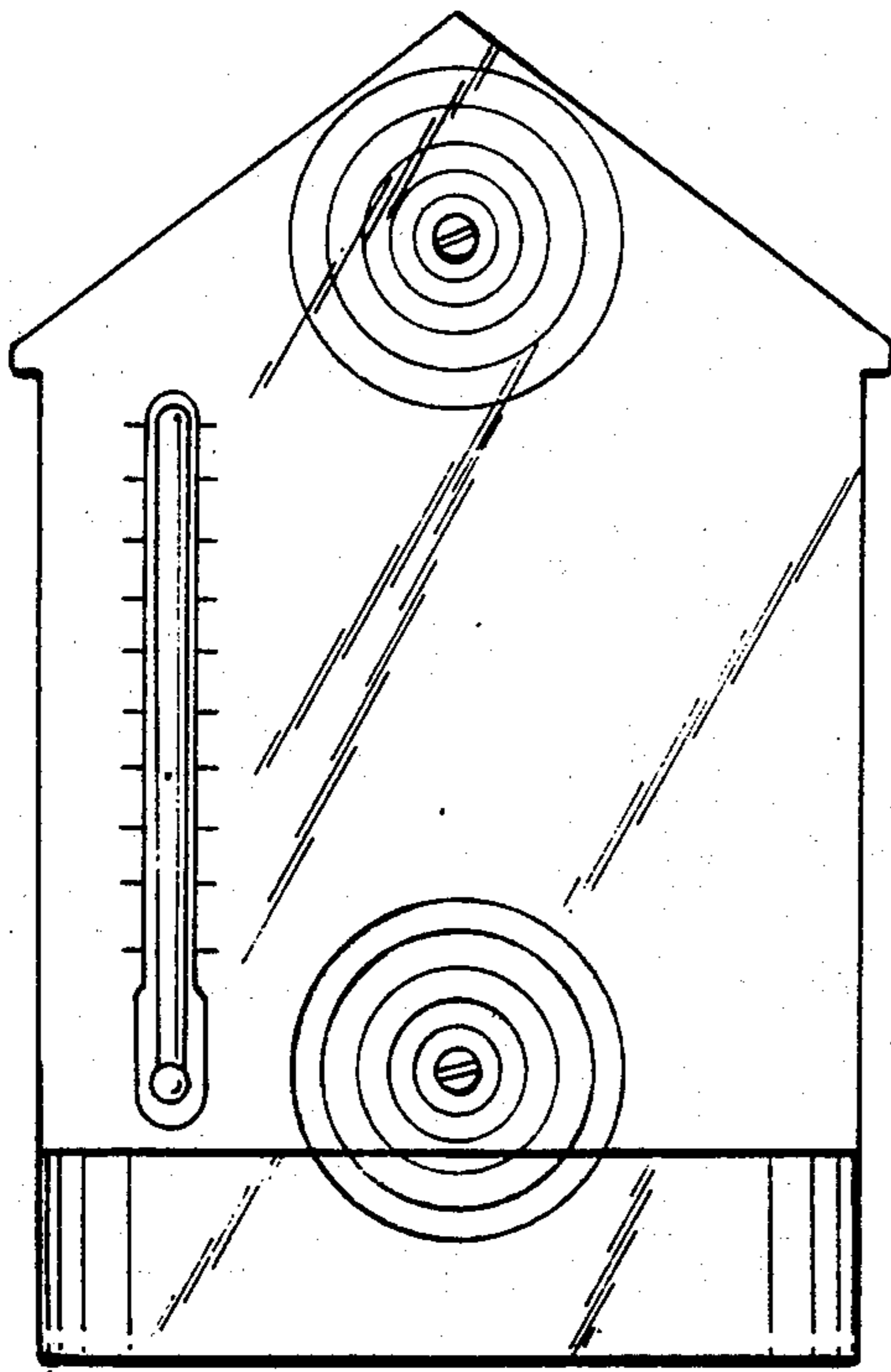


FIG. 4

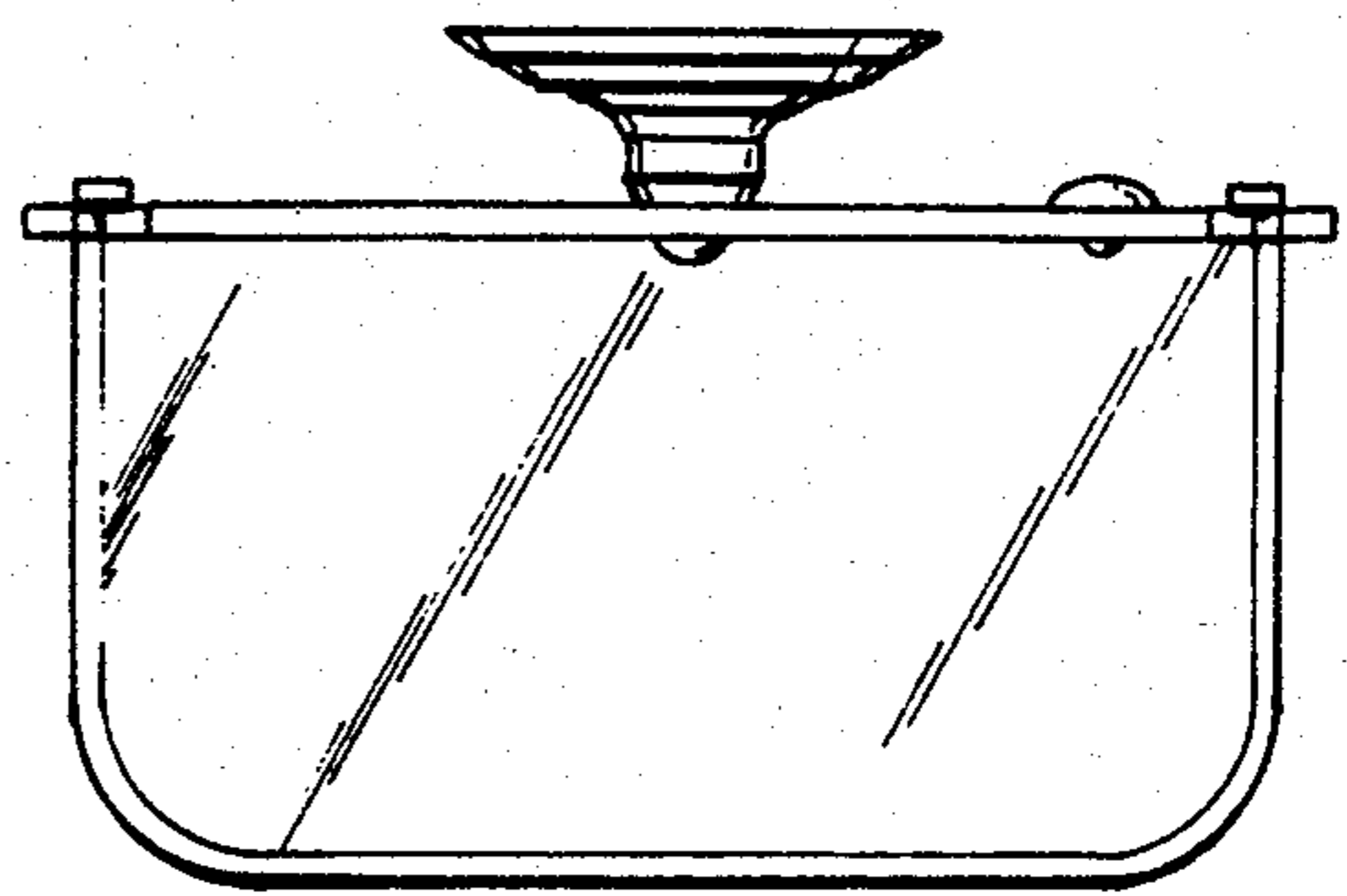


FIG. 3

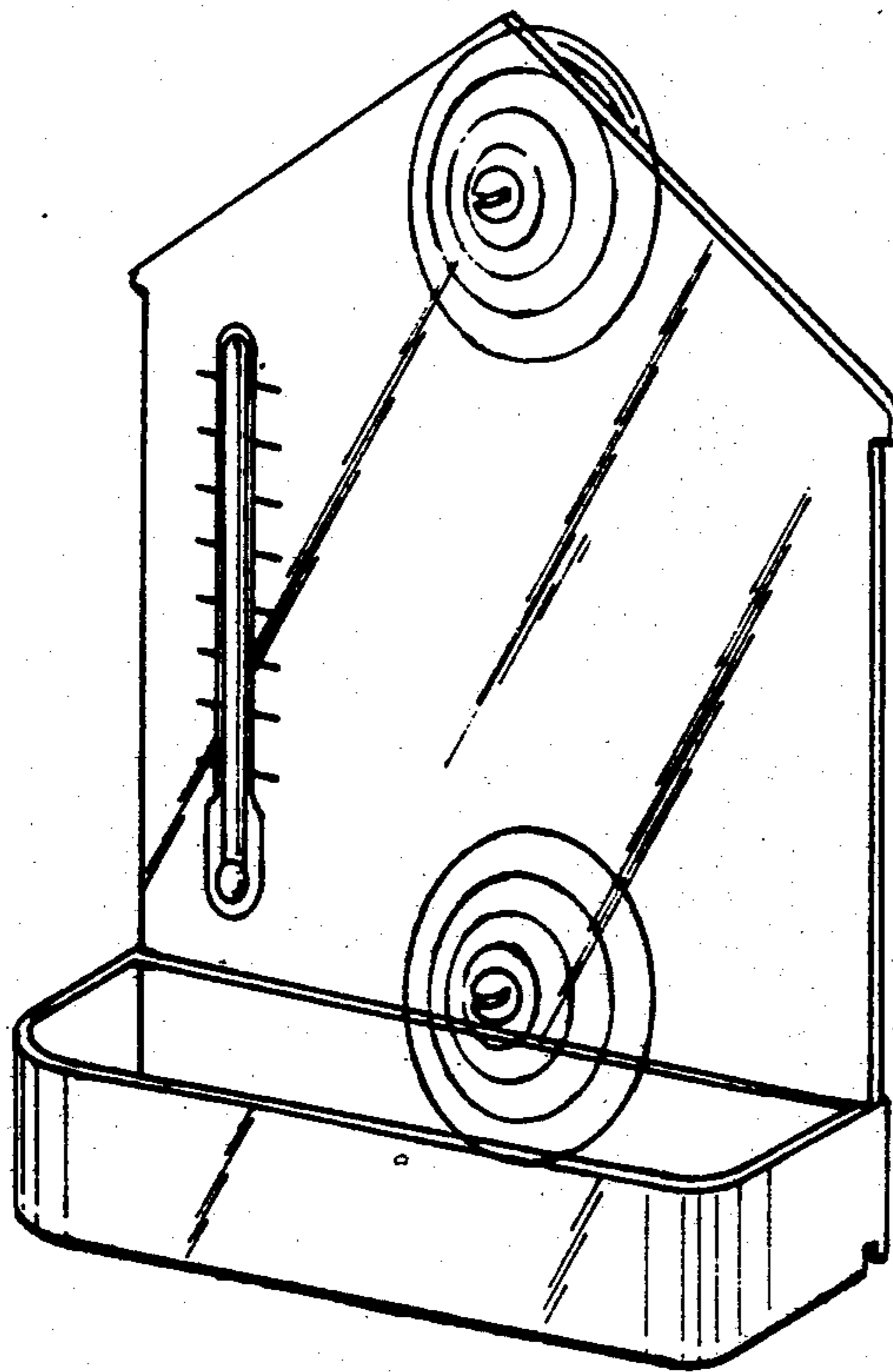


FIG. 2

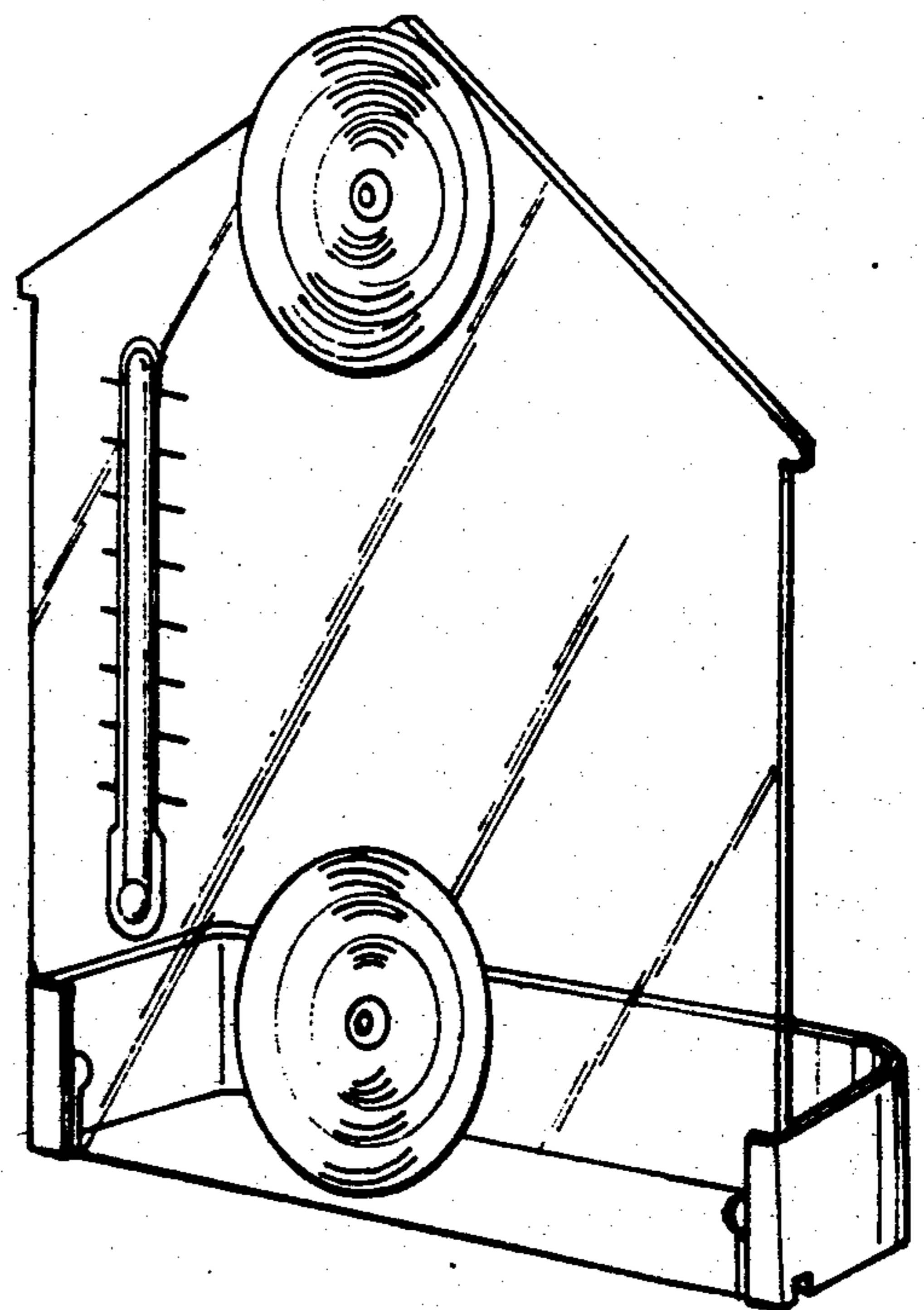


FIG. 1

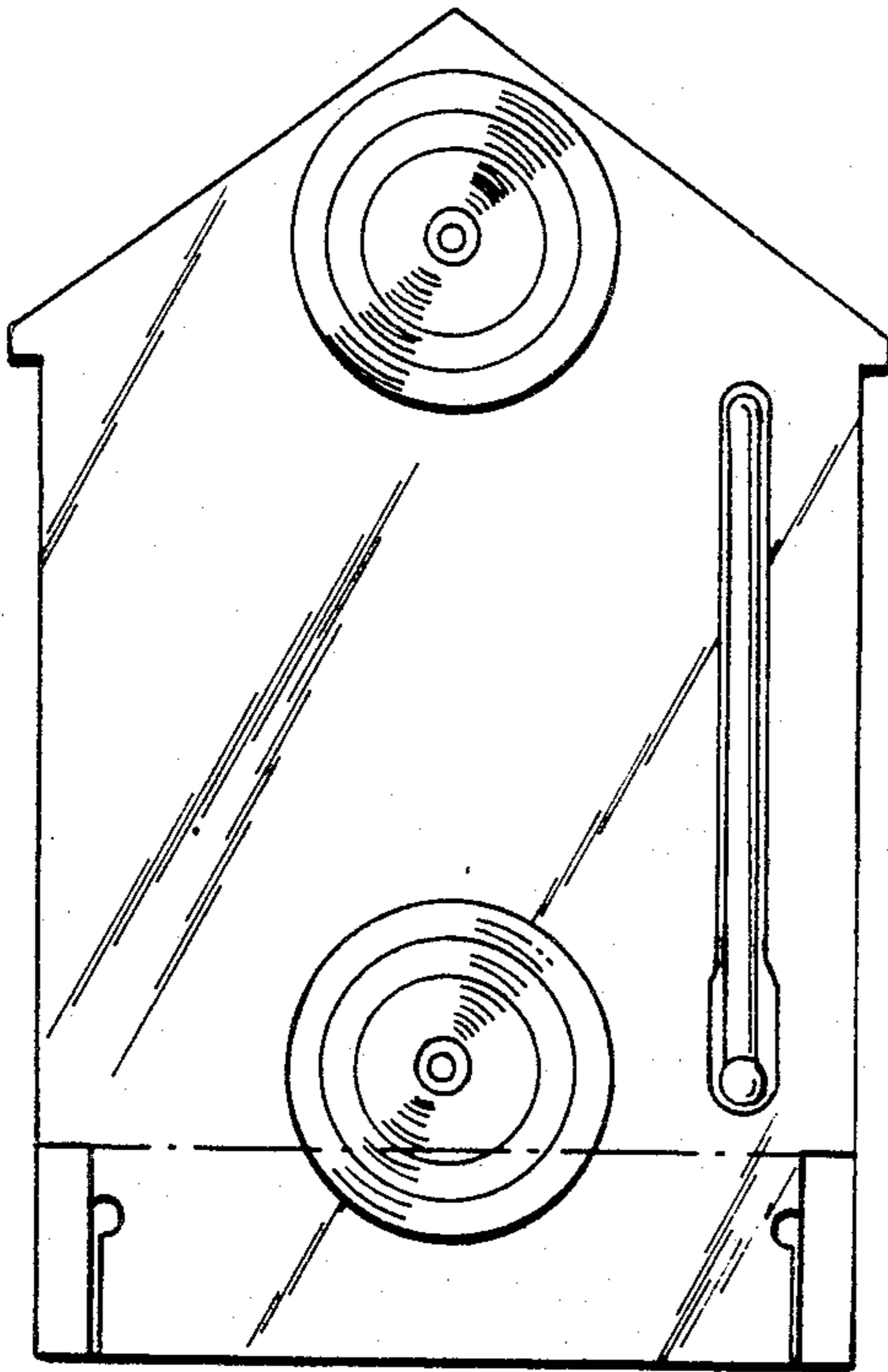


FIG. 5

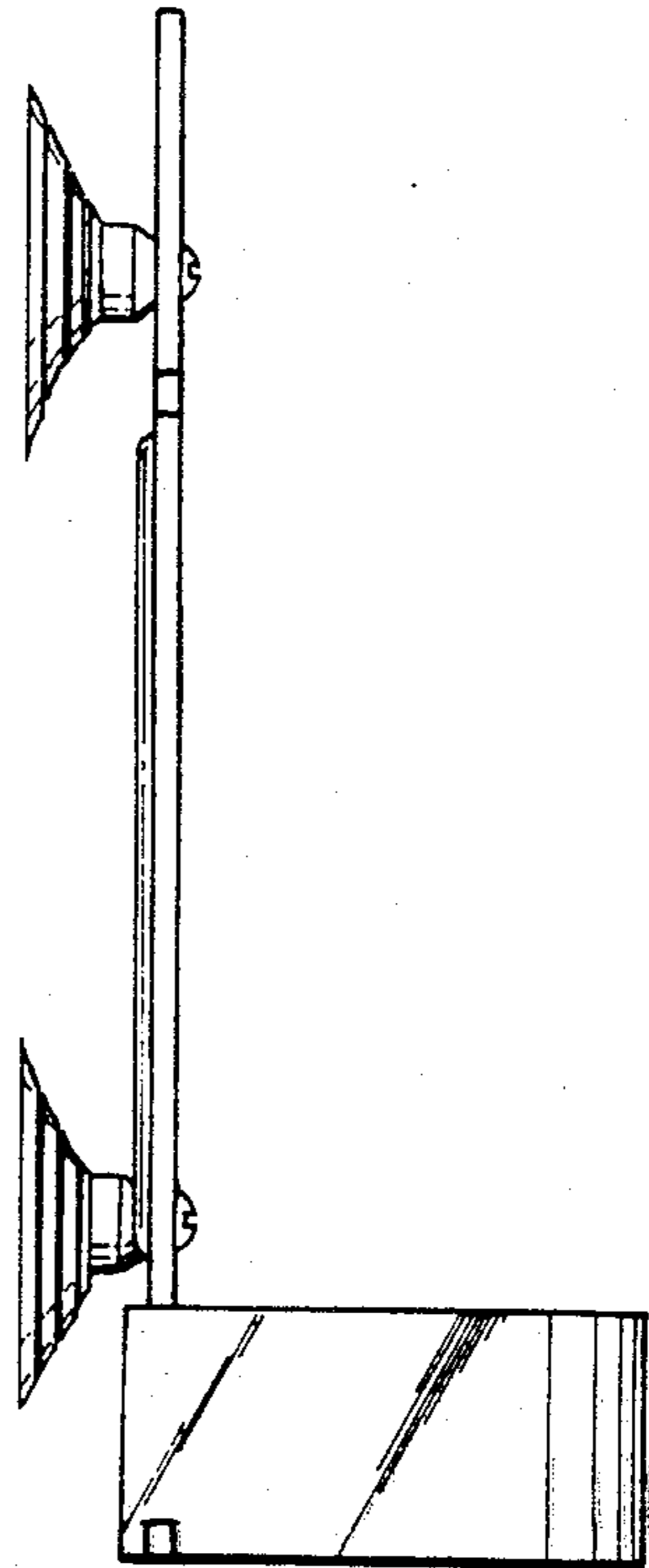


FIG. 7

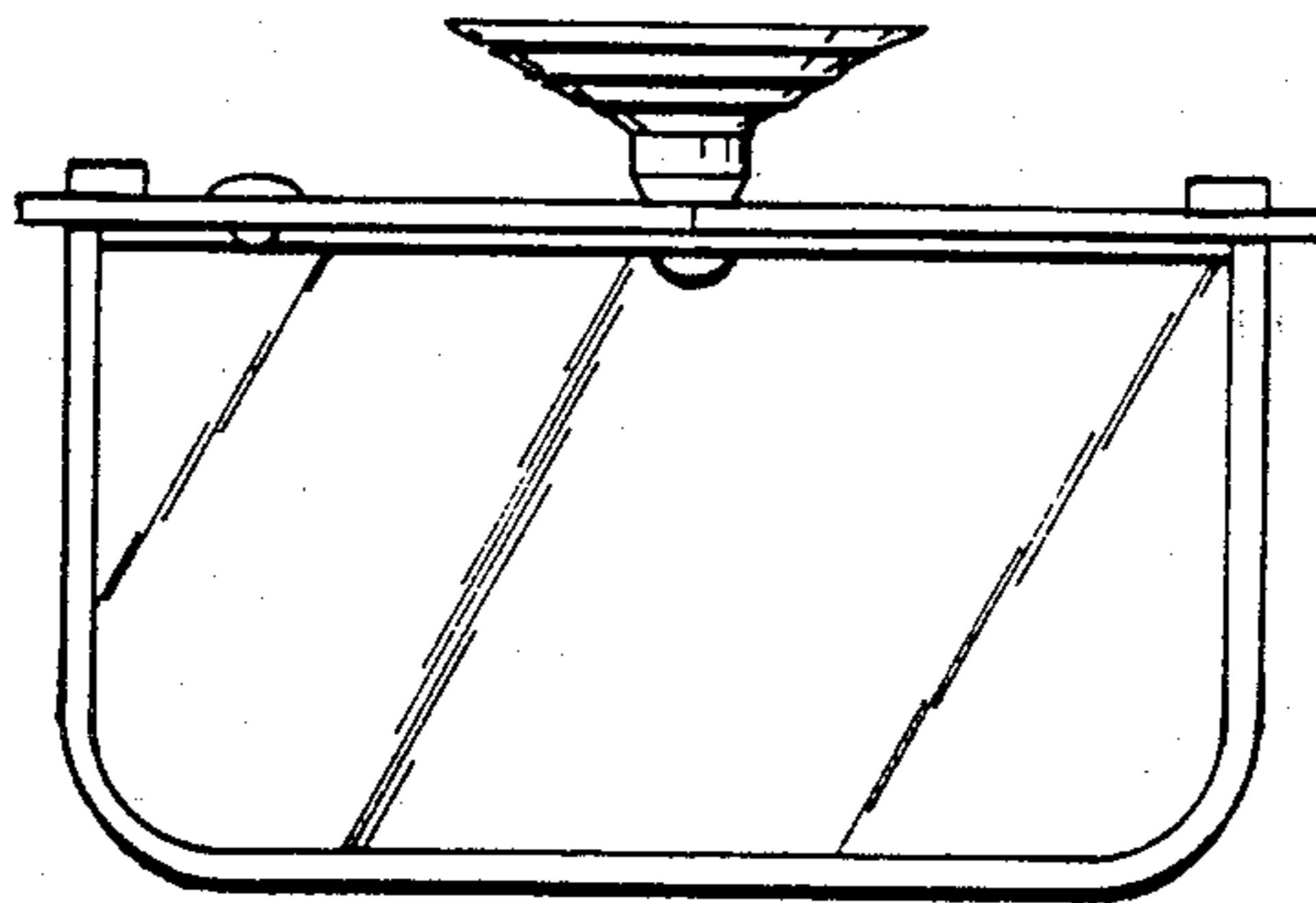


FIG. 6