

[54] TRACK LIGHT FIXTURE

[75] Inventor: Scott L. Roos, Skokie, Ill.

[73] Assignee: Cooper Industries, Inc., Houston, Tex.

[**] Term: 14 Years

[21] Appl. No.: 616,602

[22] Filed: Jun. 4, 1984

[52] U.S. Cl. D26/88; D26/85

[58] Field of Search D26/24, 61-66, D26/72, 80-92; 362/217, 220, 269, 270, 275, 287, 418, 427

[56] References Cited

U.S. PATENT DOCUMENTS

D. 257,398 10/1980 Tedesco D26/85
3,725,695 4/1973 Eversberg et al. D26/63 X

OTHER PUBLICATIONS

Home Lighting & Accessories, 1-1983, p. 23 Halo Low-Voltage Track Light.

Lighting Design & Application, 7-1981, p. 21, Midas-Touch® Outdoor Safety Light.

Primary Examiner—Susan J. Lucas

Attorney, Agent, or Firm—E. E. Scott; A. R. Thiele

[57] CLAIM

The ornamental design of the track light fixture, substantially as shown and described.

DESCRIPTION

FIG. 1 is a top, front perspective view of the track light fixture showing my new design;

FIG. 2 is a front elevational view thereof;

FIG. 3 is a side elevational view thereof;

FIG. 4 is a rear elevation view thereof;

FIG. 5 is an opposite side elevational view thereof;

FIG. 6 is a top plan view thereof; and

FIG. 7 is a bottom plan view thereof.

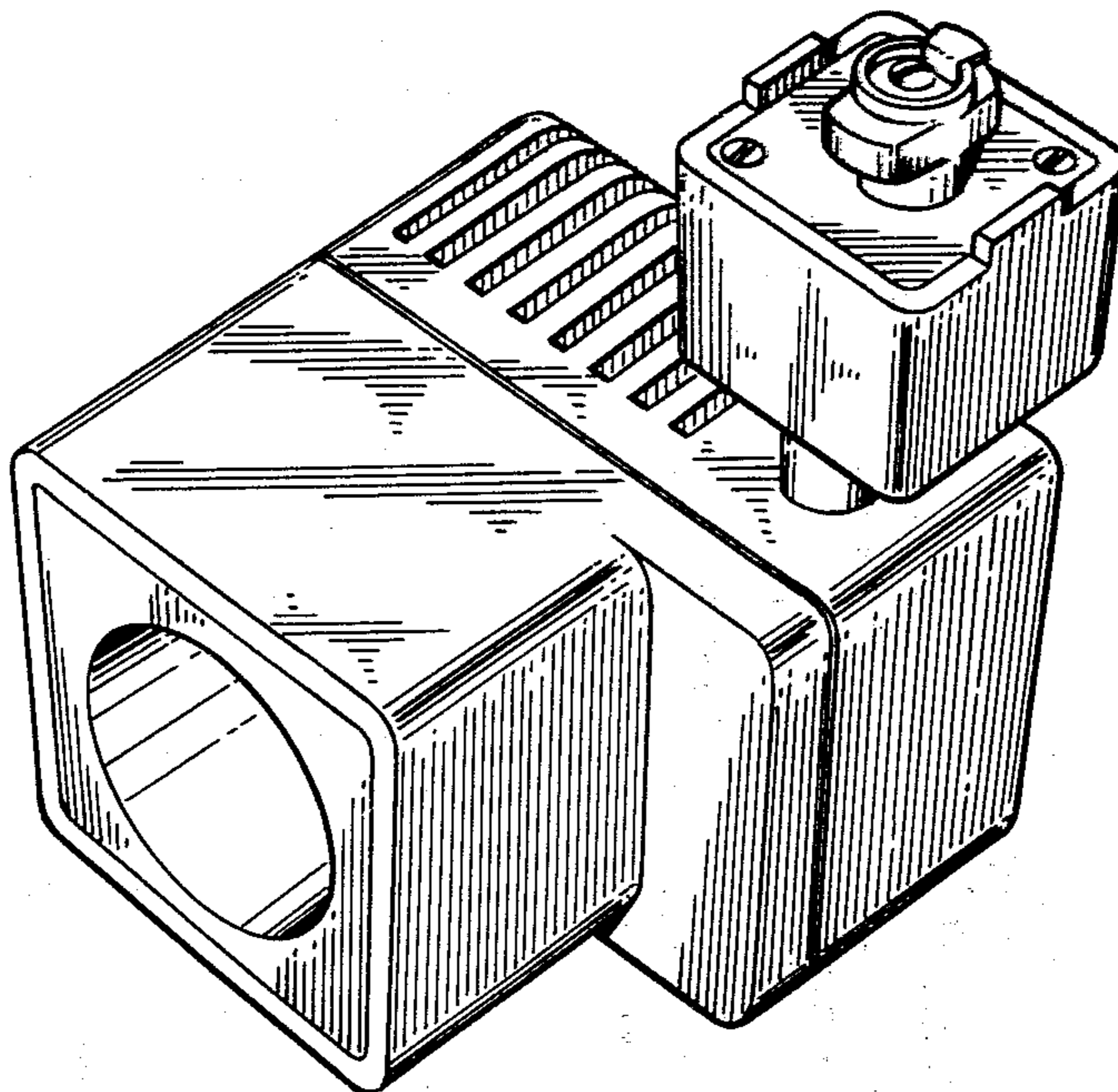


Fig. 1

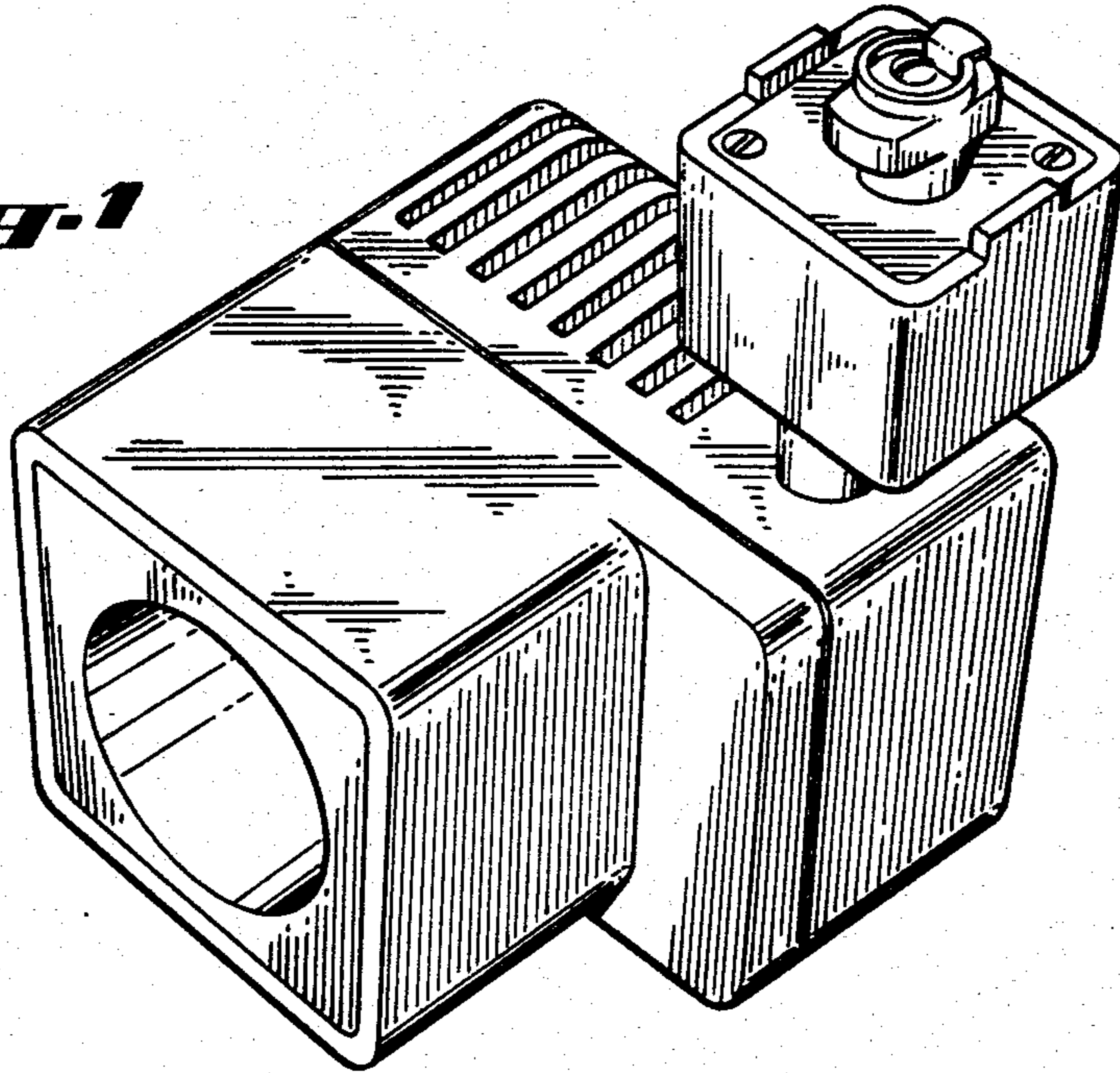


Fig. 2

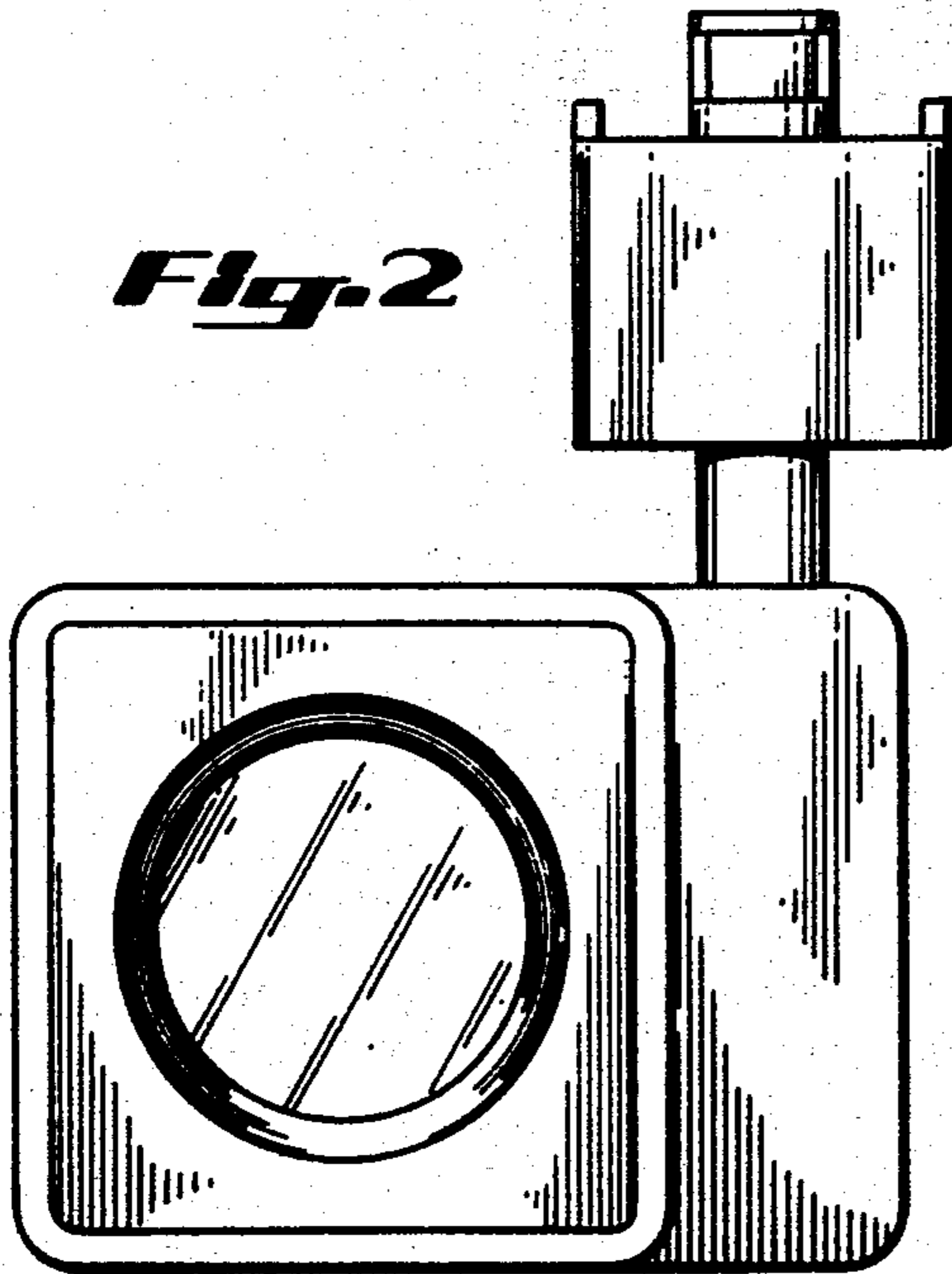
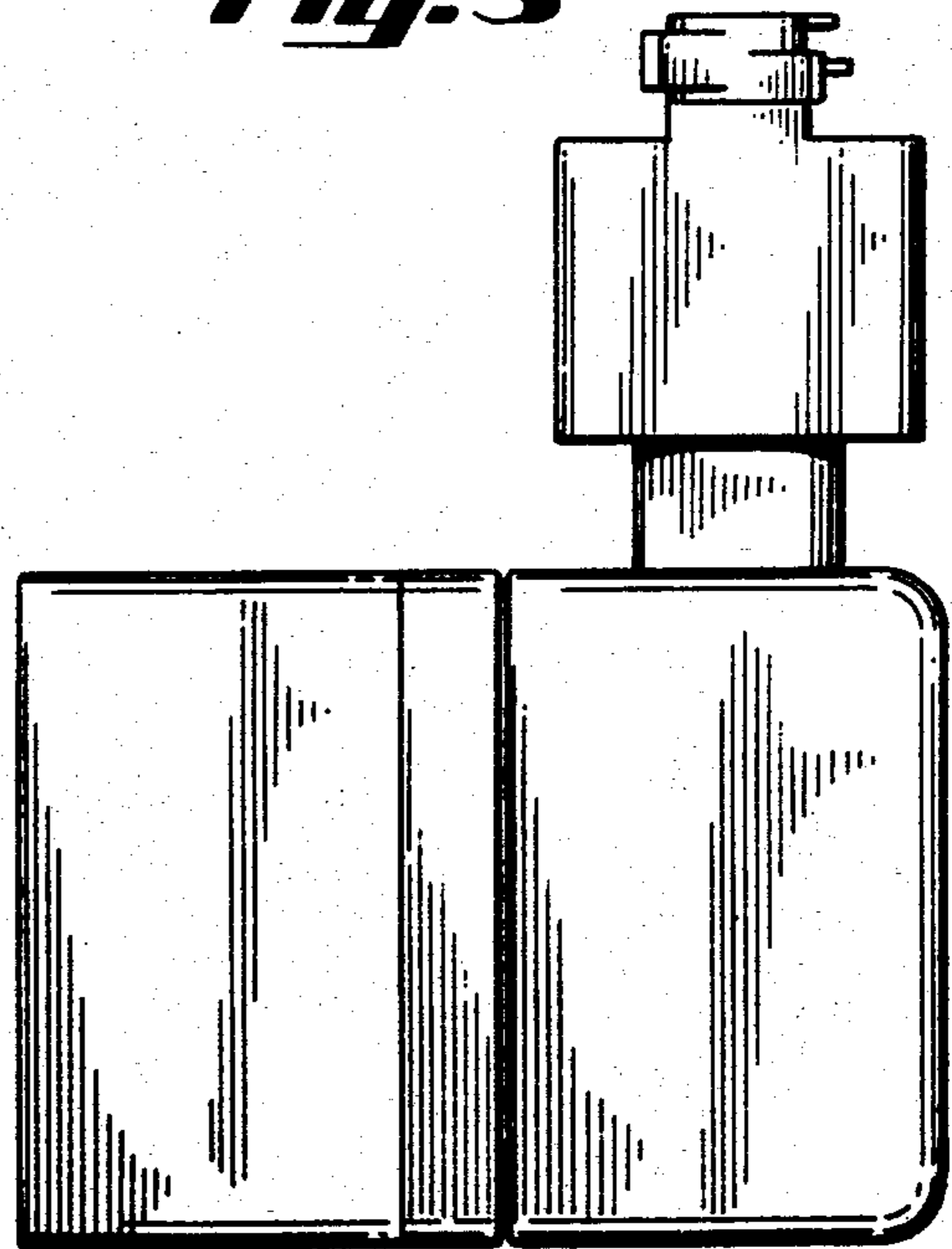


Fig. 3



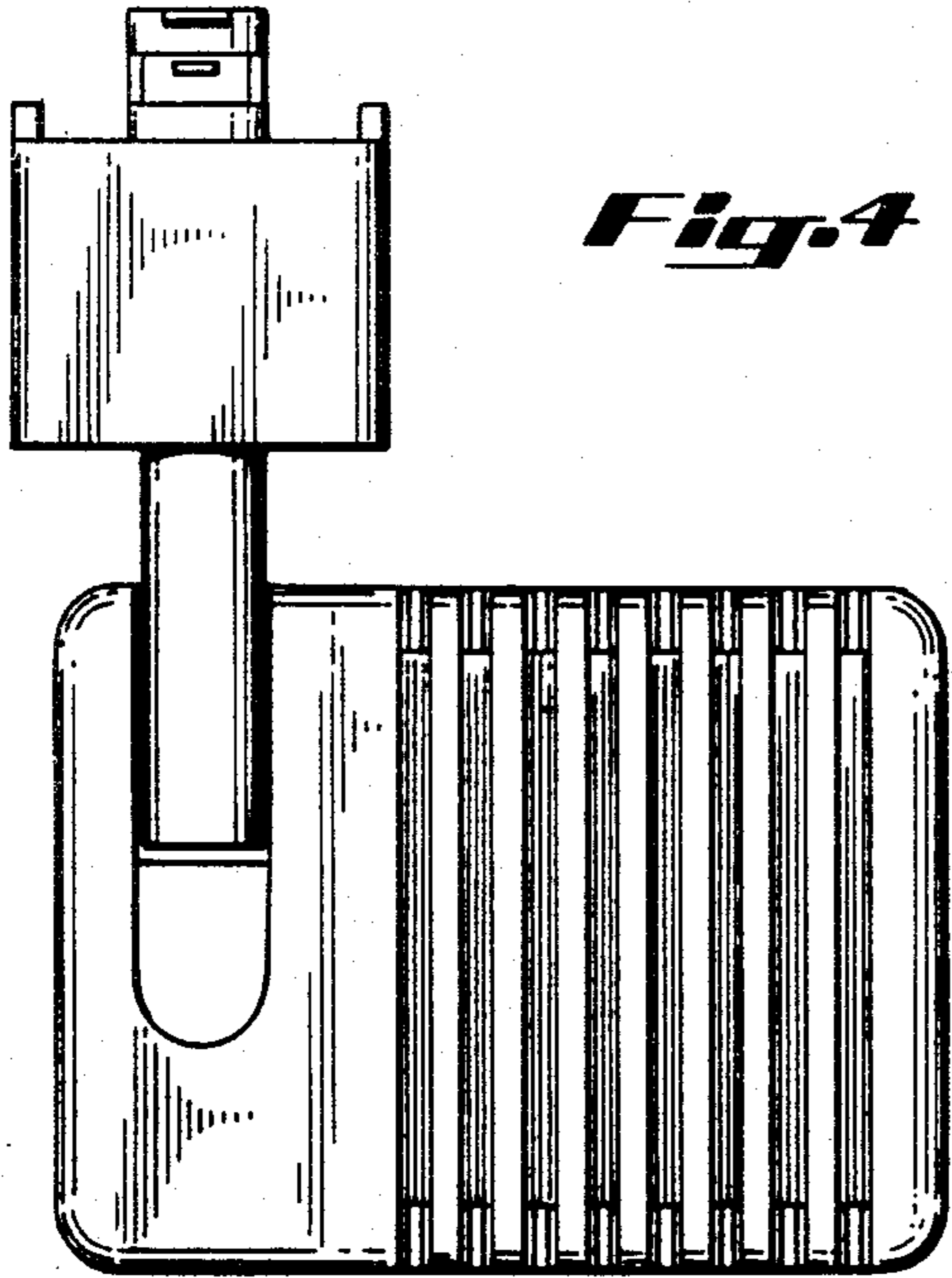


Fig. 4

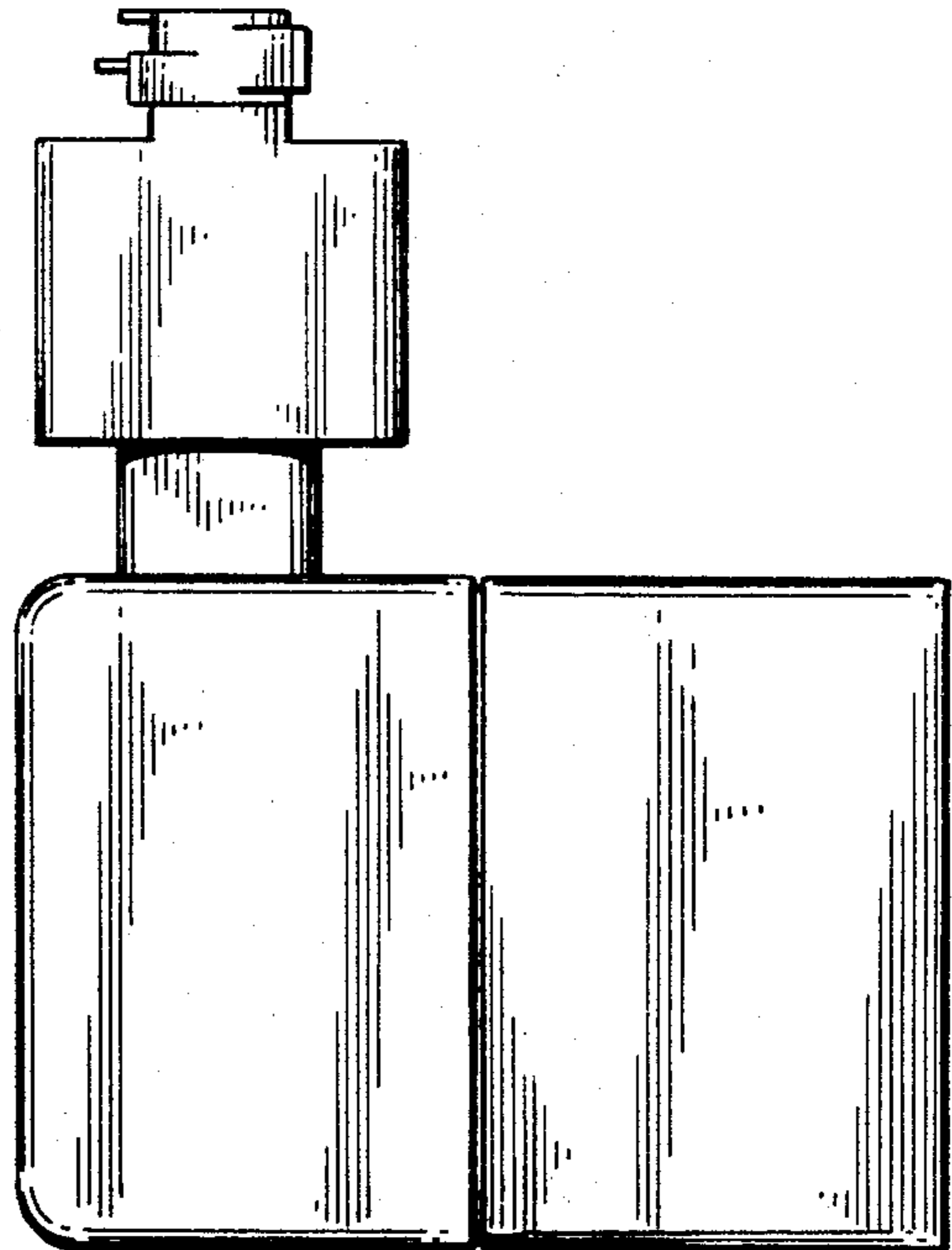


Fig. 5

Fig. 6

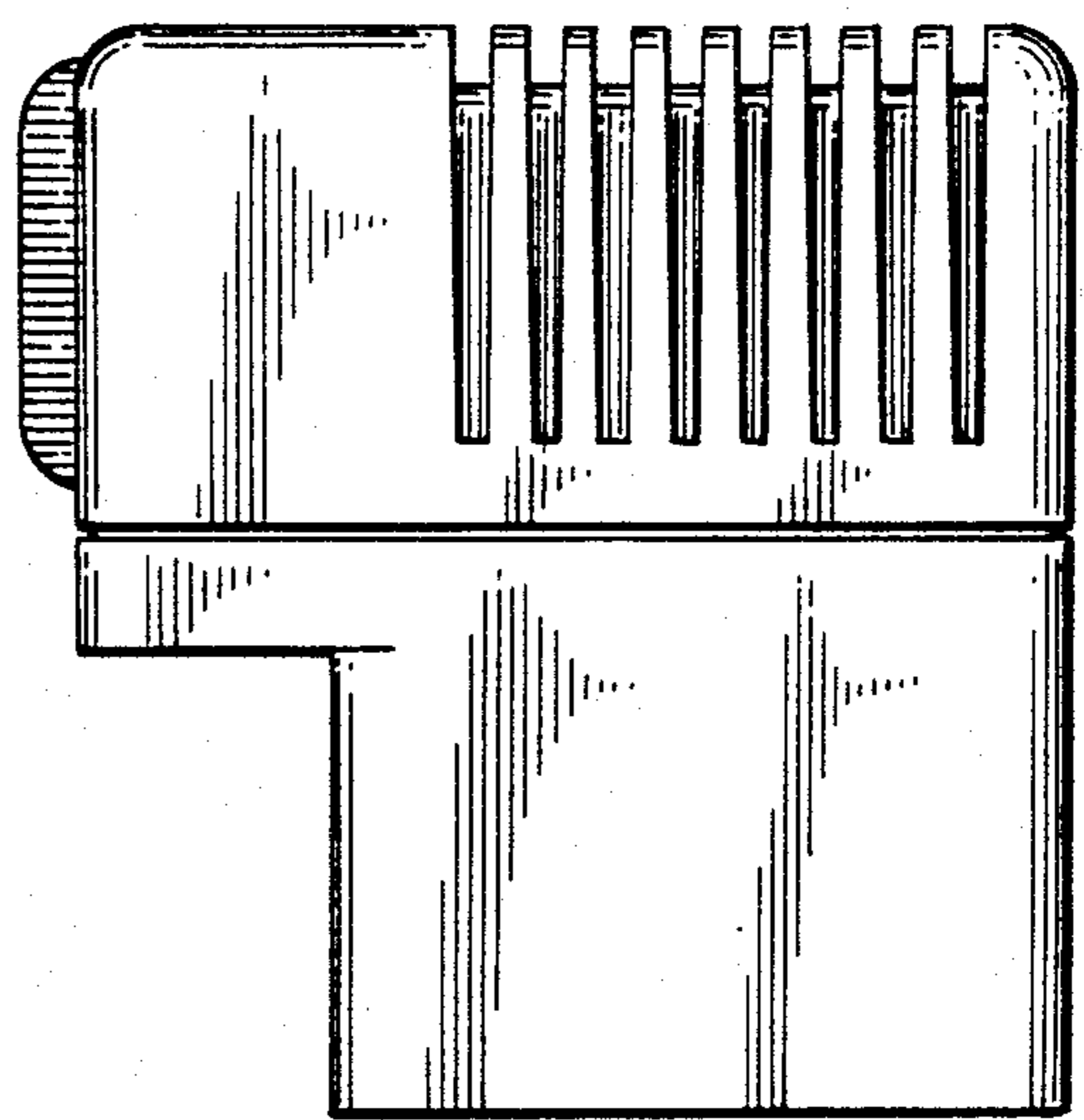
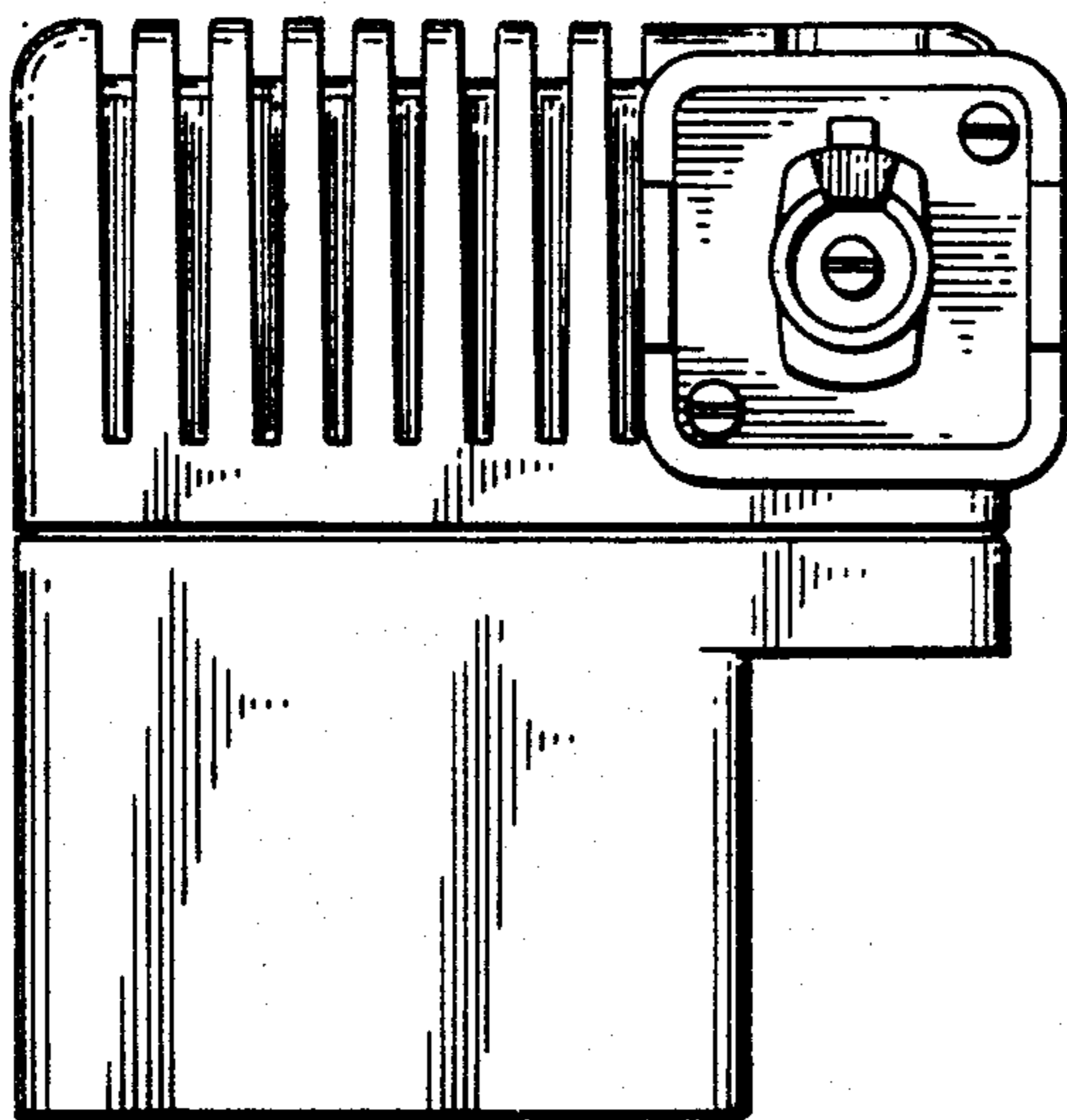


Fig. 7