

[54] WALL WASH LIGHT FIXTURE FOR TRACKING LIGHTING SYSTEM

[75] Inventor: Romeo A. Dacanay, Schaumburg, Ill.

[73] Assignee: Cooper Industries, Houston, Tex.

[**] Term: 14 Years

[21] Appl. No.: 687,925

[22] Filed: Dec. 31, 1984

[52] U.S. Cl. D26/24; D26/63; D26/85

[58] Field of Search D26/72, 74, 80-92, D26/61, 63, 65, 24; 362/404, 408, 432, 362, 310, 311, 307, 269, 285, 418, 427

[56] References Cited

U.S. PATENT DOCUMENTS

D. 205,192 7/1966 Shearin D26/75 X

OTHER PUBLICATIONS

Progress Lighting Ideas Book 116 ©1980, p. 173, Wall-Washer Light #D6258-31.

Thomas Lighting Catalog ©1979, p. 150, Track Light T-4740-39.

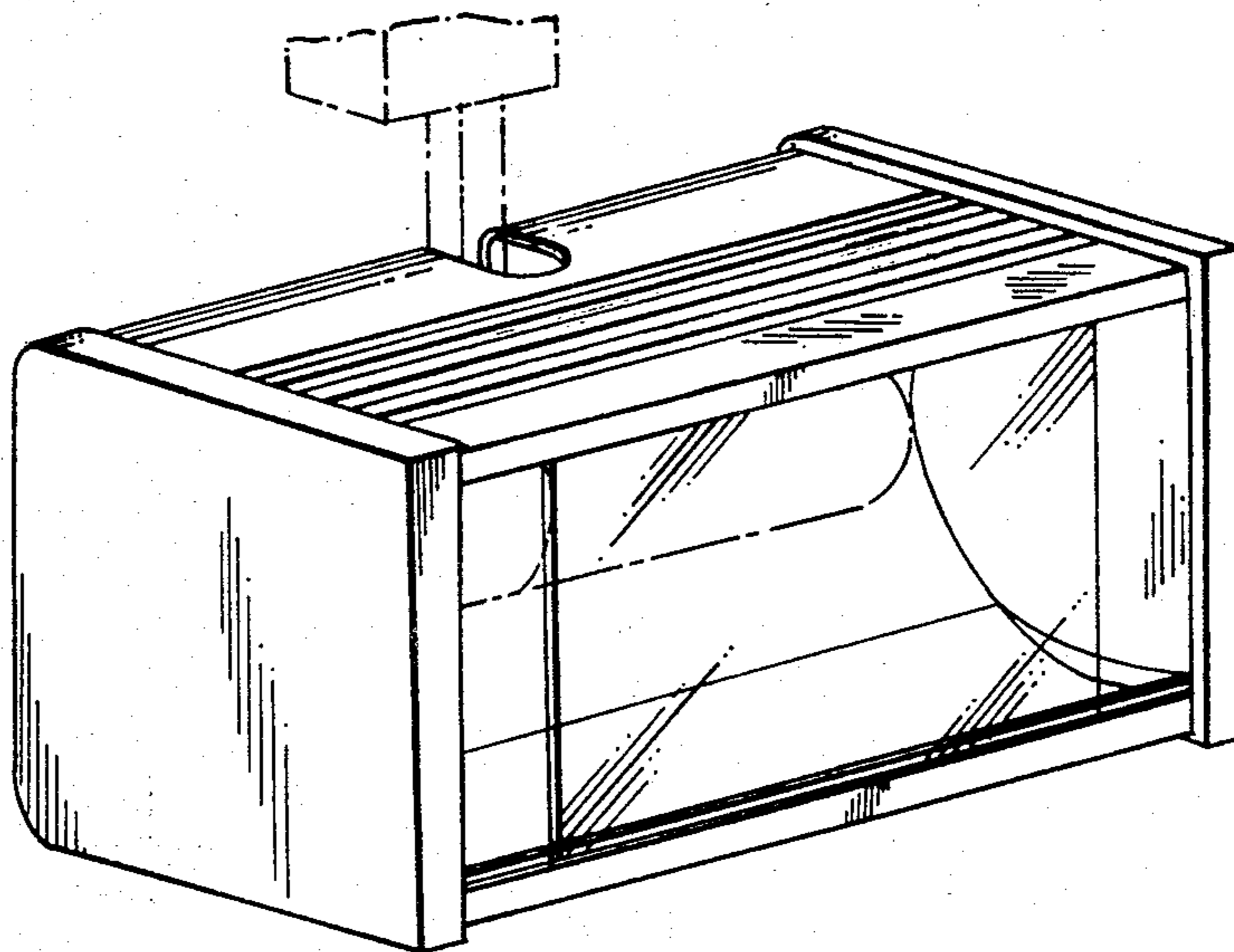
Primary Examiner—Susan J. Lucas
Attorney, Agent, or Firm—E. E. Scott; A. R. Thiele

[57] CLAIM

The ornamental design for a wall wash light fixture for tracking lighting system, as shown and described.

DESCRIPTION

FIG. 1 is a perspective view of a wall wash light fixture for a track lighting system showing my new design; FIG. 2 is a front elevational view thereof in an enlarged scale; FIG. 3 is a right side elevational view thereof in an enlarged scale, the left side being a mirror image; FIG. 4 is a top plan view thereof in an enlarged scale; FIG. 5 is a rear elevational view thereof in an enlarged scale; FIG. 6 is a bottom plan view thereof in an enlarged scale; The supporting bracket and interior lamp are shown in broken lines for illustrative purposes only.



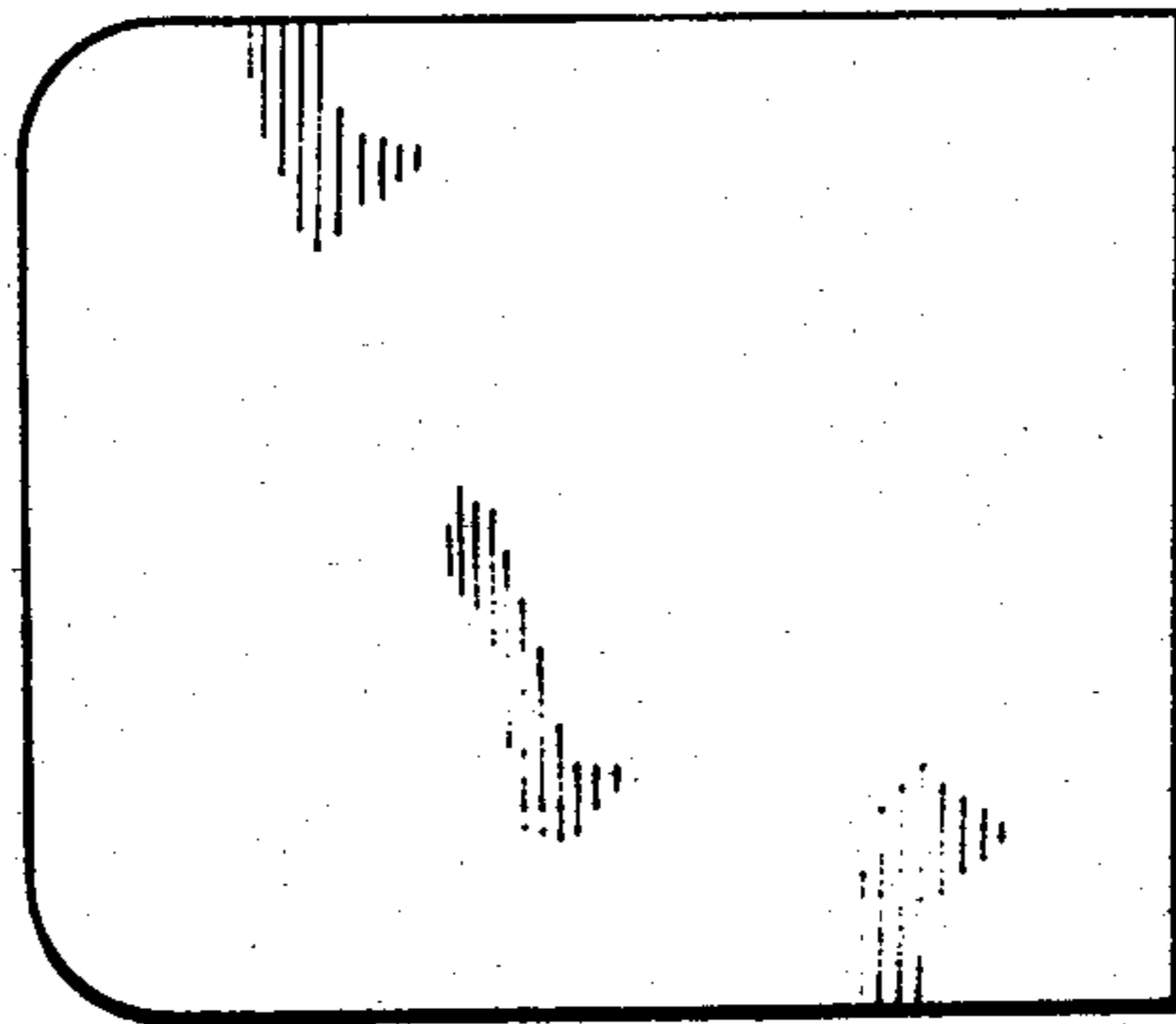
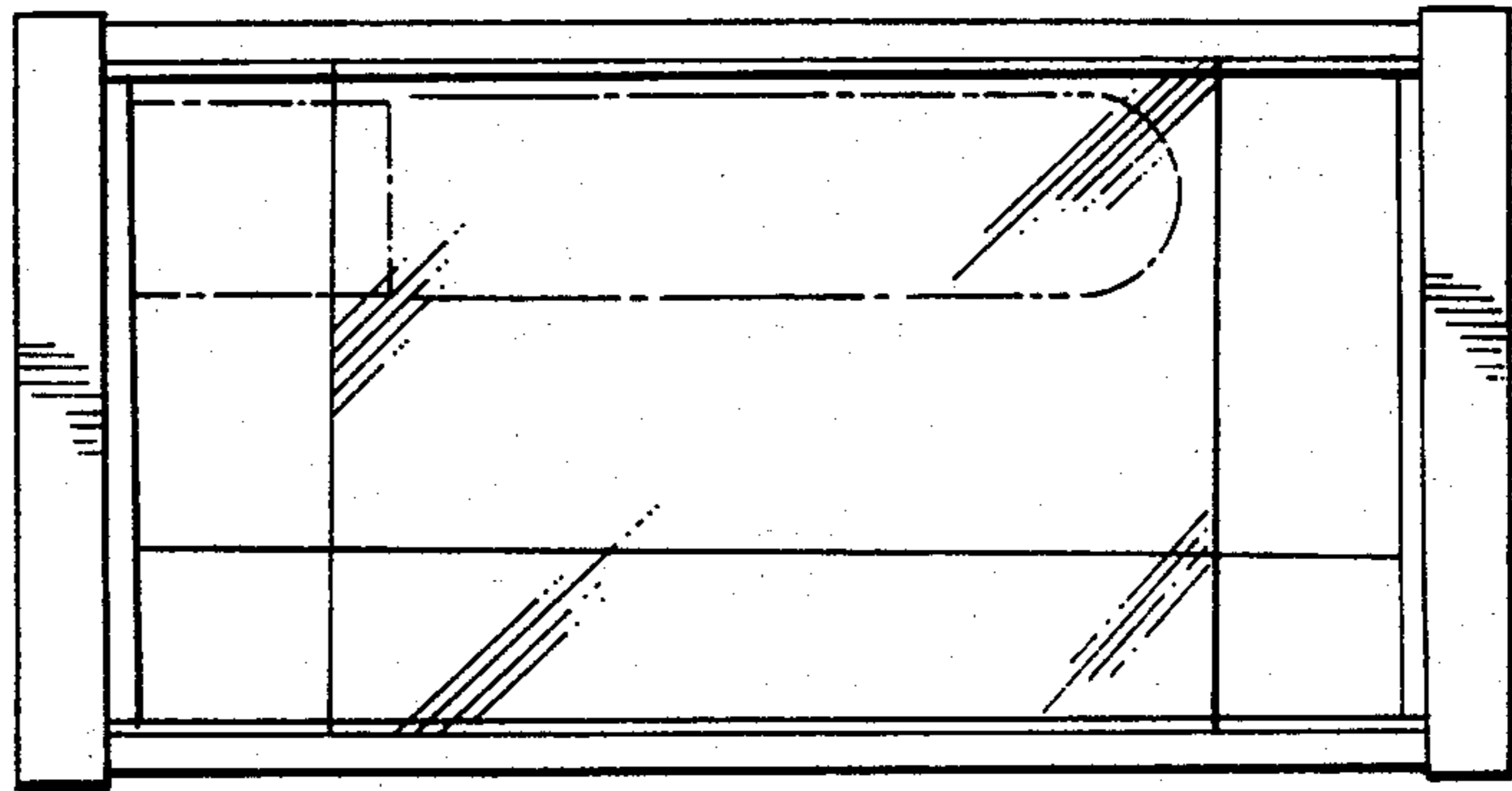
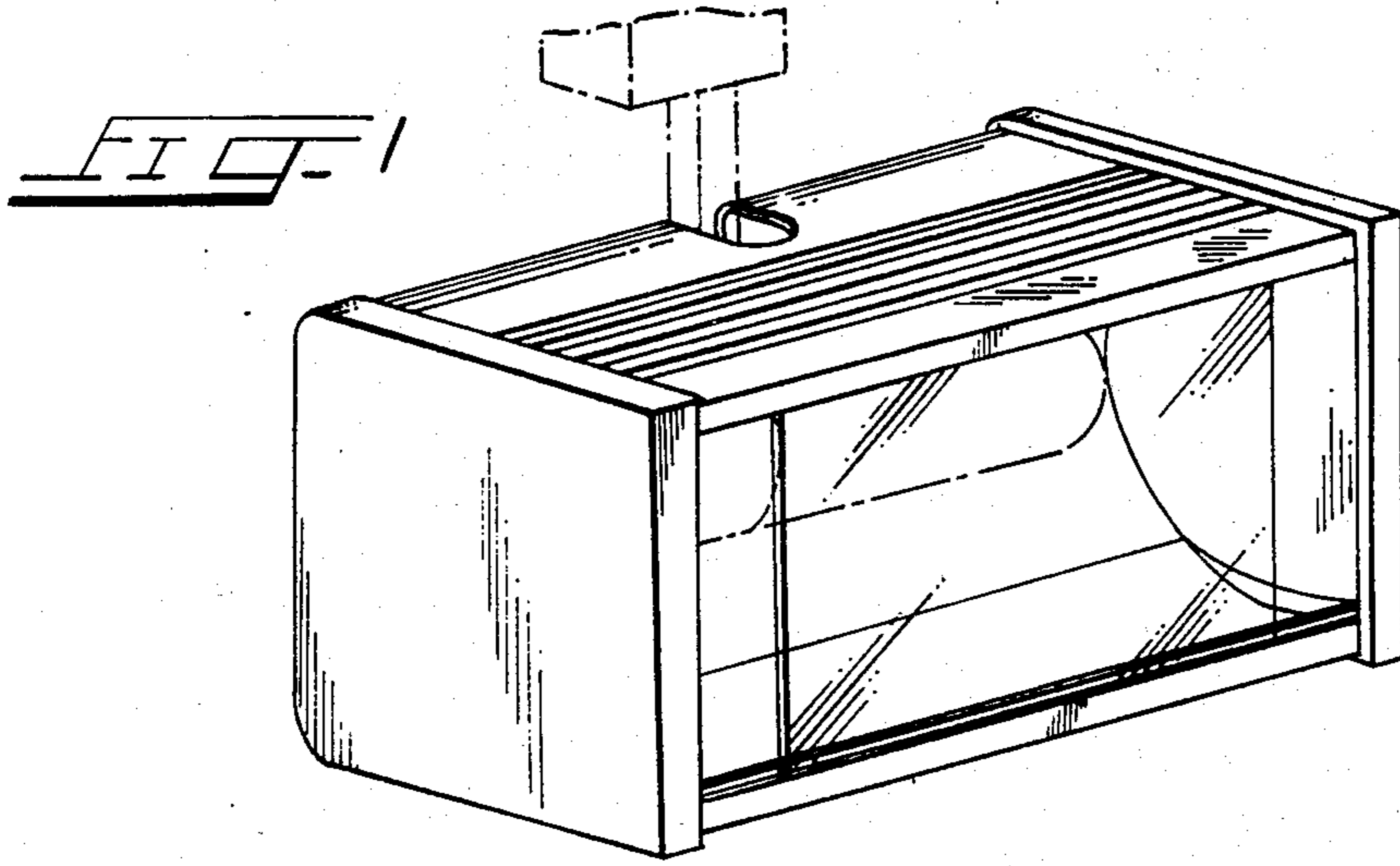


FIG-4

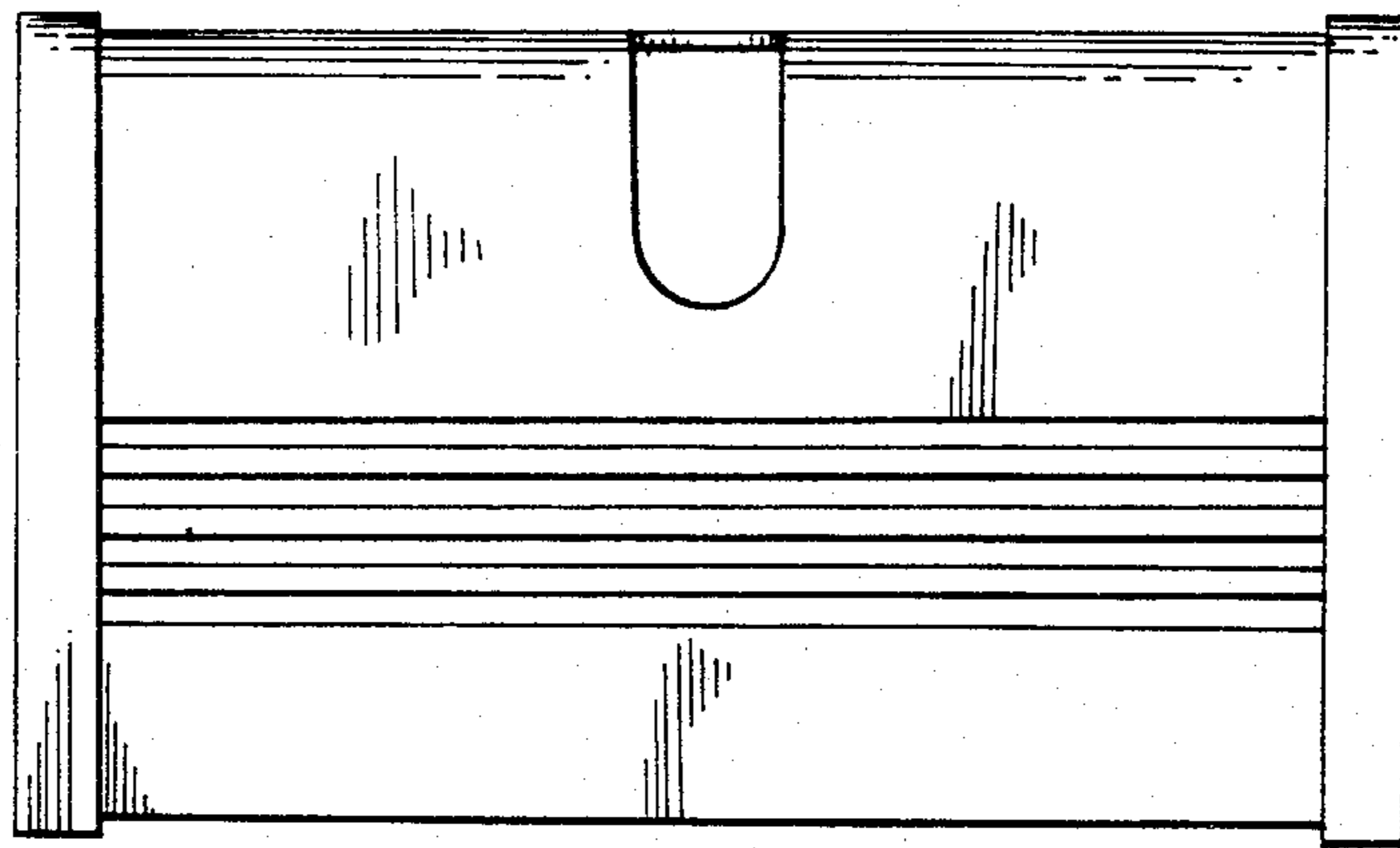


FIG-5

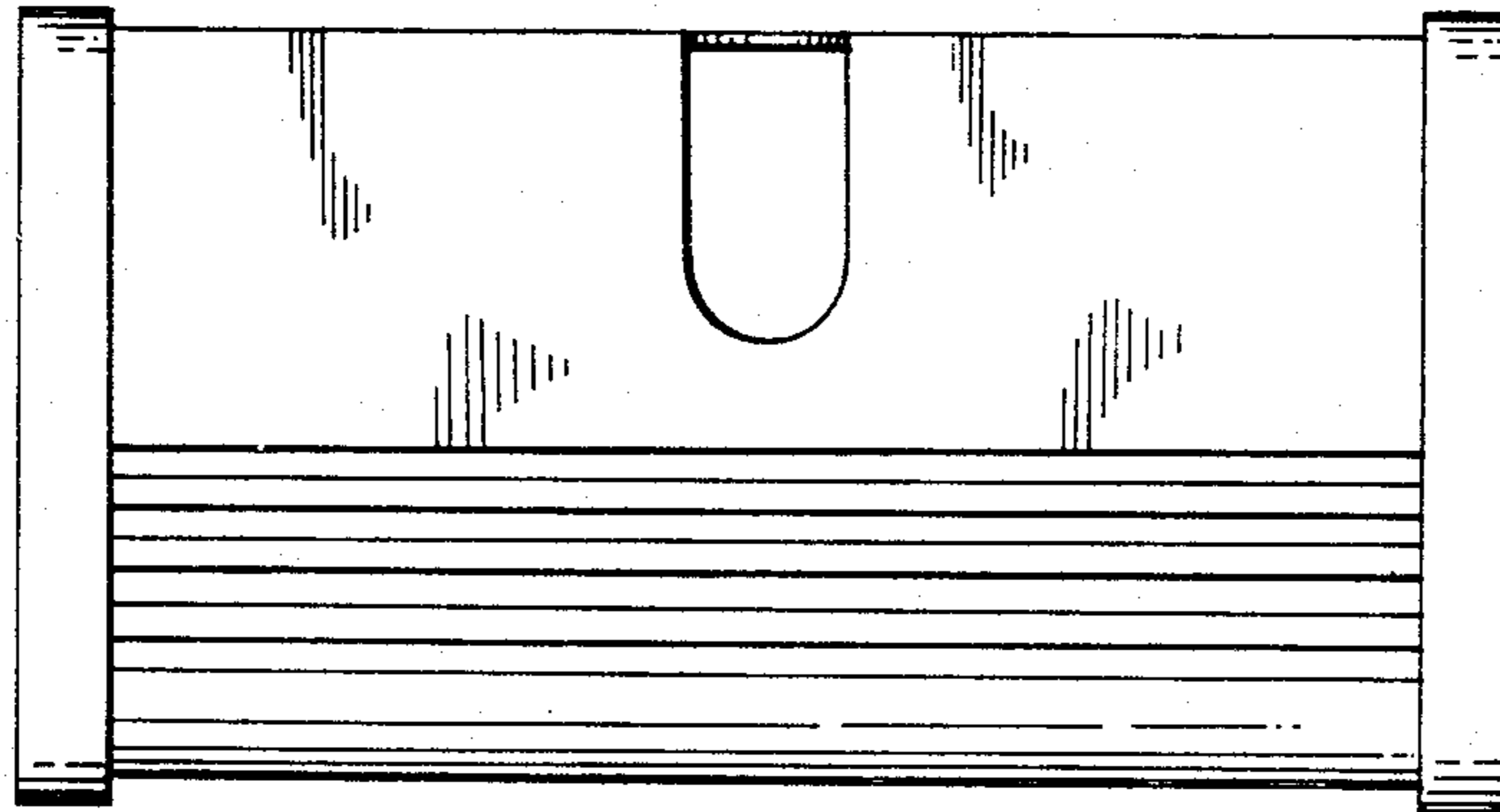


FIG-6

