

[54] VENTILATION GRILL FOR BOATS  
 [75] Inventor: John P. Flowers, LaConnor, Wash.  
 [73] Assignee: Bayliner Marine Corporation, Seattle, Wash.  
 [\*\*] Term: 14 Years  
 [21] Appl. No.: 747,116  
 [22] Filed: Jun. 20, 1985  
 [52] U.S. Cl. .... D23/115; D12/317  
 [58] Field of Search ..... D23/112-115, D23/137, 138, 139, 151, 163; D12/317; 98/2.16, 108, 114, 119, 121.1

3,528,359 9/1970 Sand ..... 98/121.1 X  
 3,996,845 12/1976 Harris ..... 98/114

FOREIGN PATENT DOCUMENTS

871992 6/1971 Canada ..... 98/121.1  
 2118030 11/1971 Fed. Rep. of Germany ..... 98/119

Primary Examiner—Catherine E. Kemper  
 Attorney, Agent, or Firm—Seed and Berry

[57] CLAIM

The ornamental design for a ventilation grill for boats, as shown.

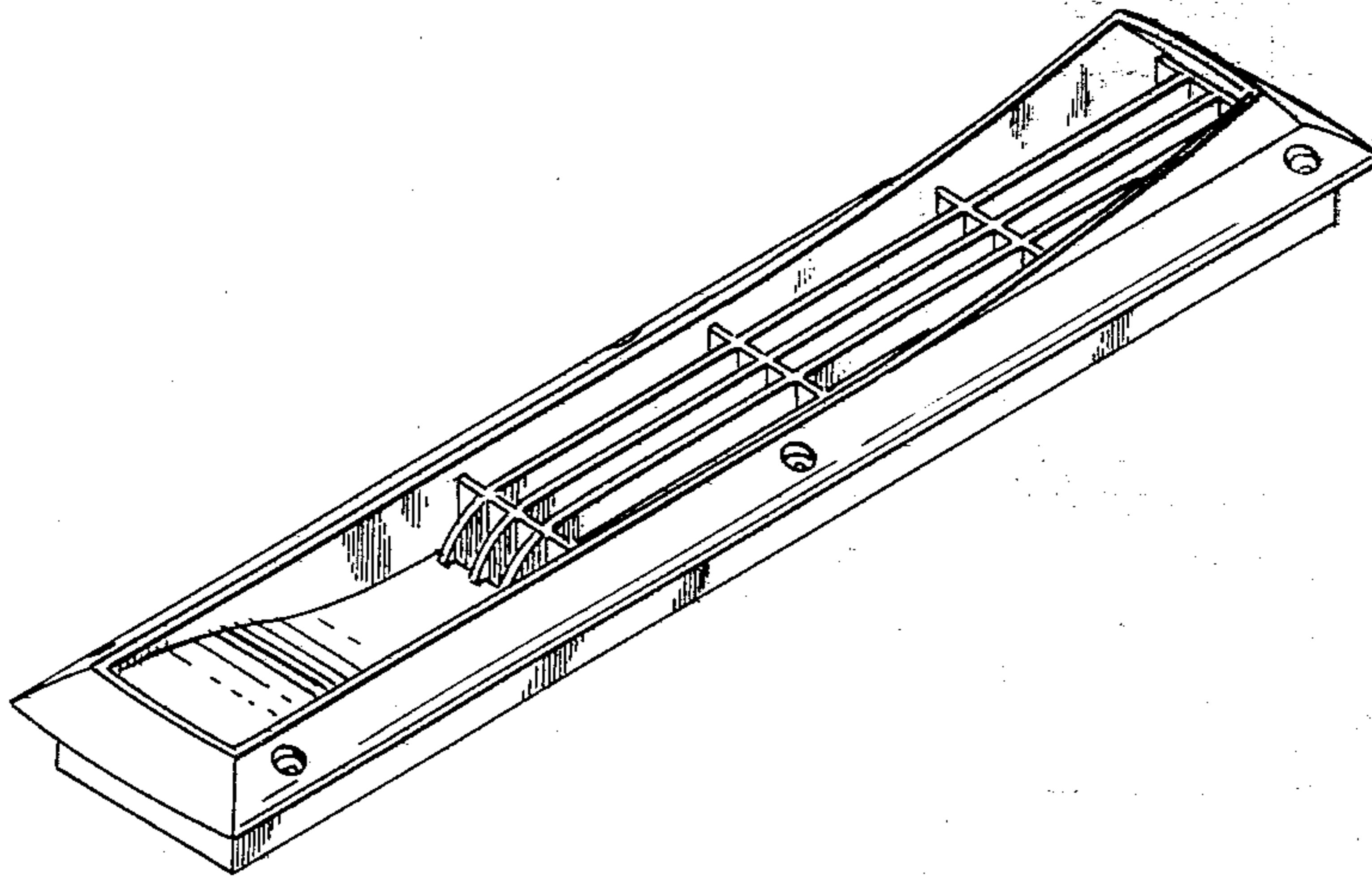
DESCRIPTION

FIG. 1 is a top plan view of a ventilation grill for boats, showing my new design;  
 FIG. 2 is a side elevational view thereof;  
 FIG. 3 is a bottom plan view thereof;  
 FIG. 4 is an end view of the ventilation grill as seen from the left end in FIG. 2; and  
 FIG. 5 is an end view of the ventilation grill as seen from the right end in FIG. 2.

[56] References Cited

U.S. PATENT DOCUMENTS

1,652,128 12/1927 Hare ..... 98/121.1 X  
 2,034,231 3/1936 Fox ..... 98/114 X  
 2,473,053 6/1949 De Roo ..... 98/114  
 3,087,410 4/1963 Averill ..... 98/121.1 X  
 3,391,629 7/1968 Snell ..... 98/114 X



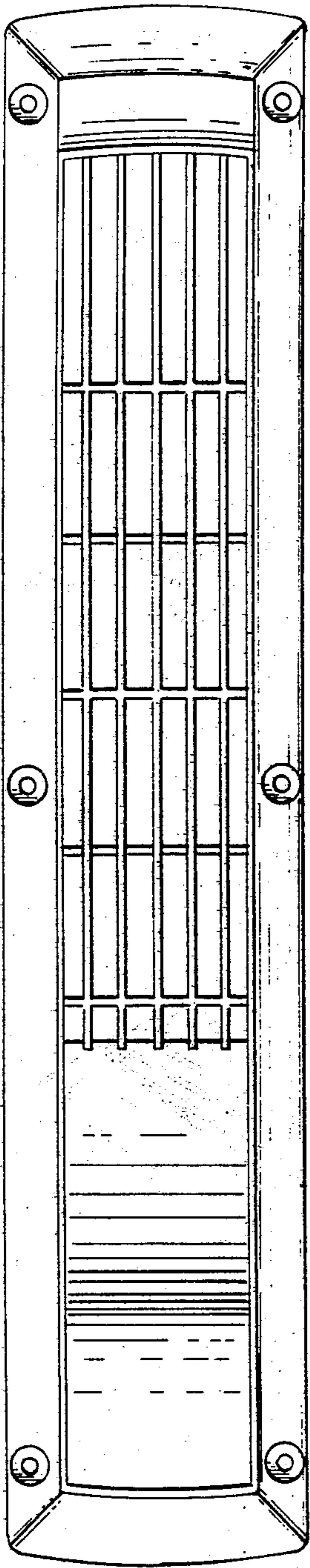


FIG. 1

FIG. 2

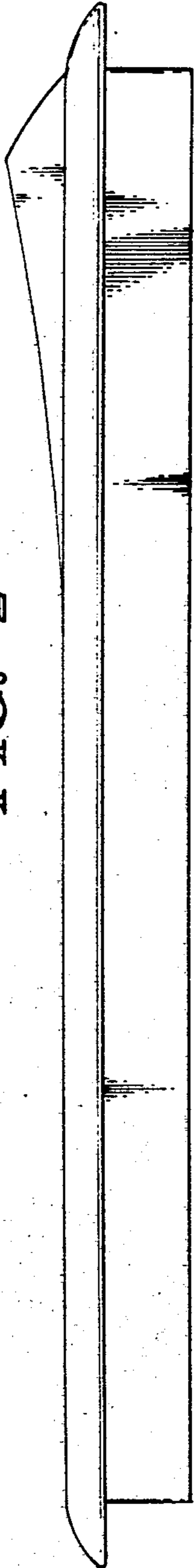
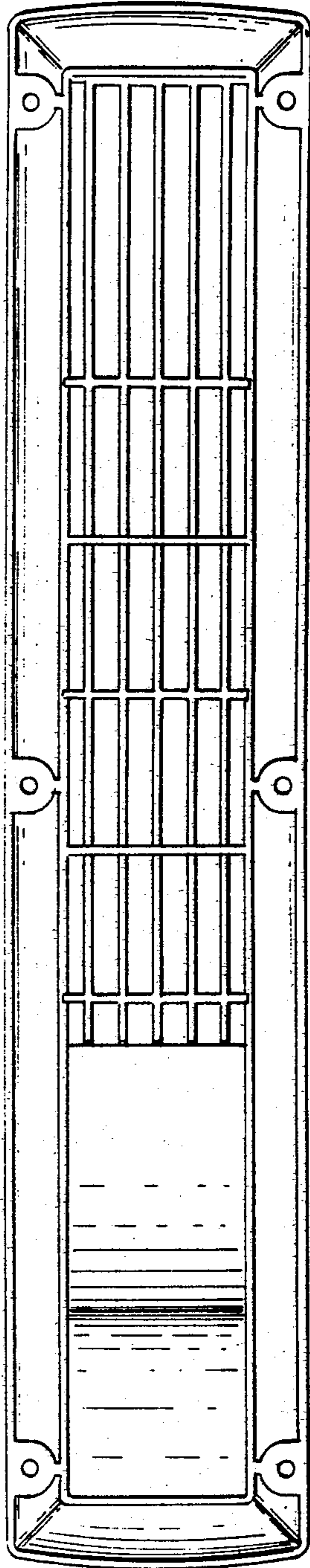


FIG. 3



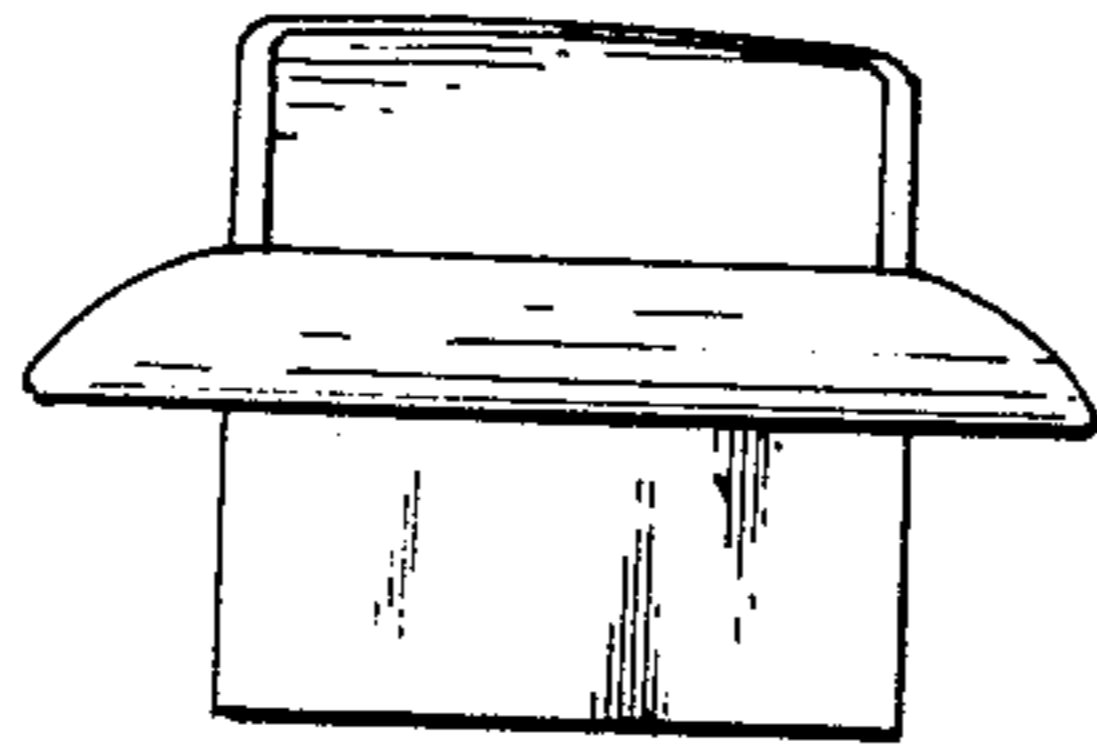


FIG. 4

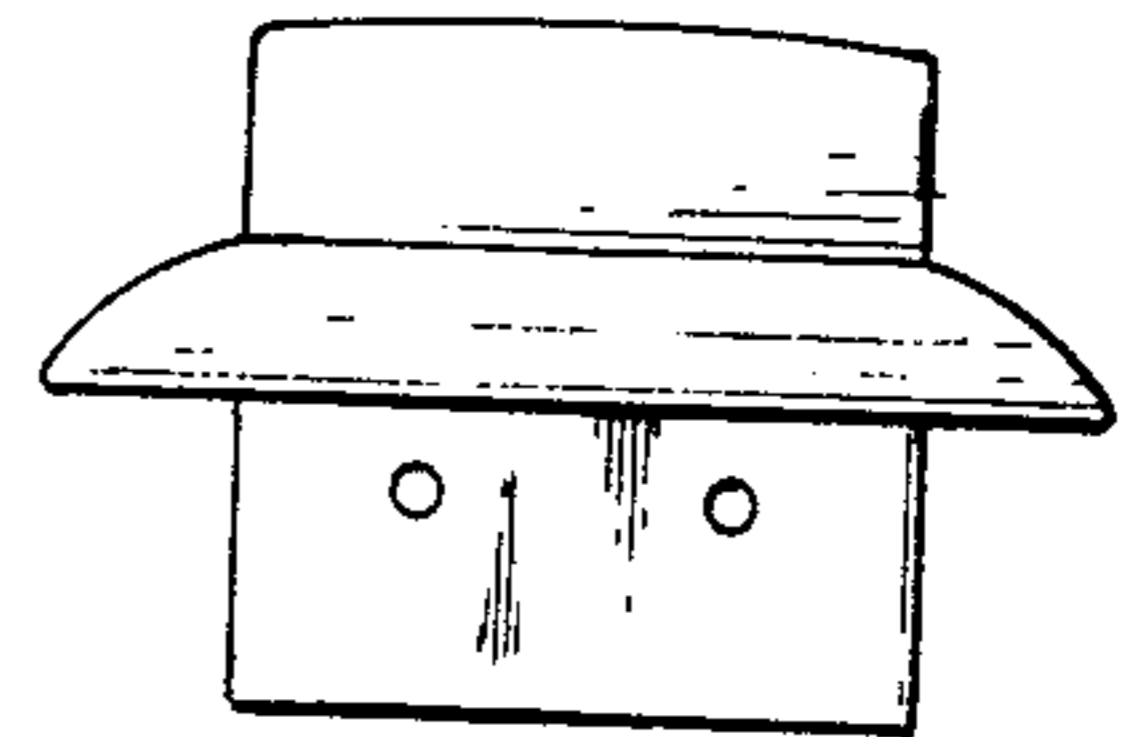
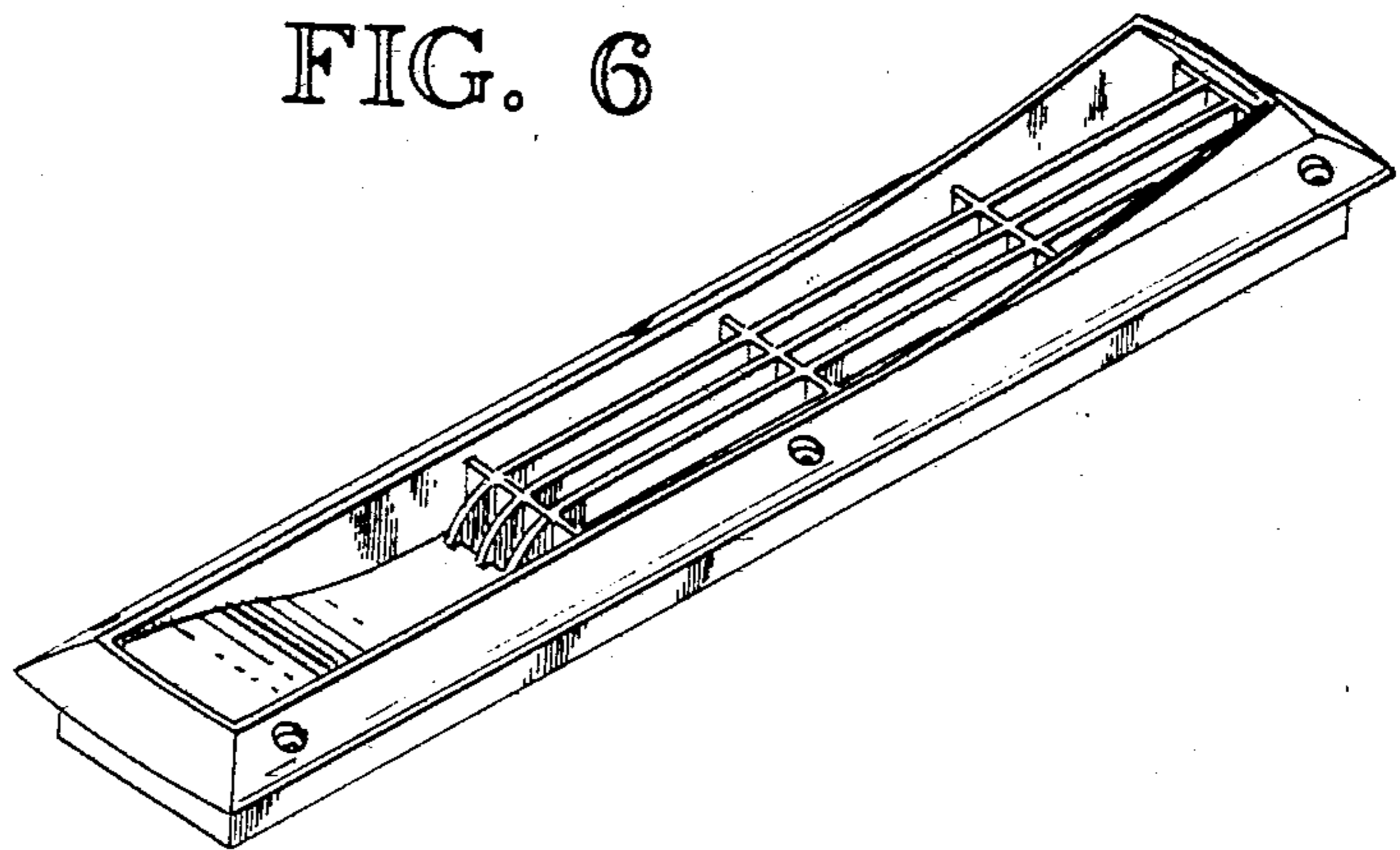


FIG. 5

FIG. 6



UNITED STATES PATENT AND TRADEMARK OFFICE  
**CERTIFICATE OF CORRECTION**

PATENT NO. : Des. 291,592  
DATED : August 25, 1987  
INVENTOR(S) : John P. Flowers

It is certified that error appears in the above—identified patent and that said Letters Patent is hereby corrected as shown below:

On the Title Page:

In the description, Figure 6 is deleted. Add the words  
--Figure 6 is a perspective view thereof.--

**Signed and Sealed this  
Third Day of May, 1988**

*Attest:*

*Attesting Officer*

DONALD J. QUIGG

*Commissioner of Patents and Trademarks*