

[54] RODENT TRAP

[75] Inventor: Melvin M. Melton, San Clemente, Calif.

[73] Assignee: Oscar Obst, San Clemente, Calif.

[**] Term: 14 Years

[21] Appl. No.: 718,559

[22] Filed: Apr. 1, 1985

[52] U.S. Cl. D22/119

[58] Field of Search 43/58, 61, 114, 64, 43/65, 66, 67, 60, 97, 124, 121, 131, 73, 98, 99; D22/119

[56] References Cited

U.S. PATENT DOCUMENTS

- 4,385,465 5/1983 Palmeri D22/119 X
- 4,413,439 11/1983 Lindley D22/119 X

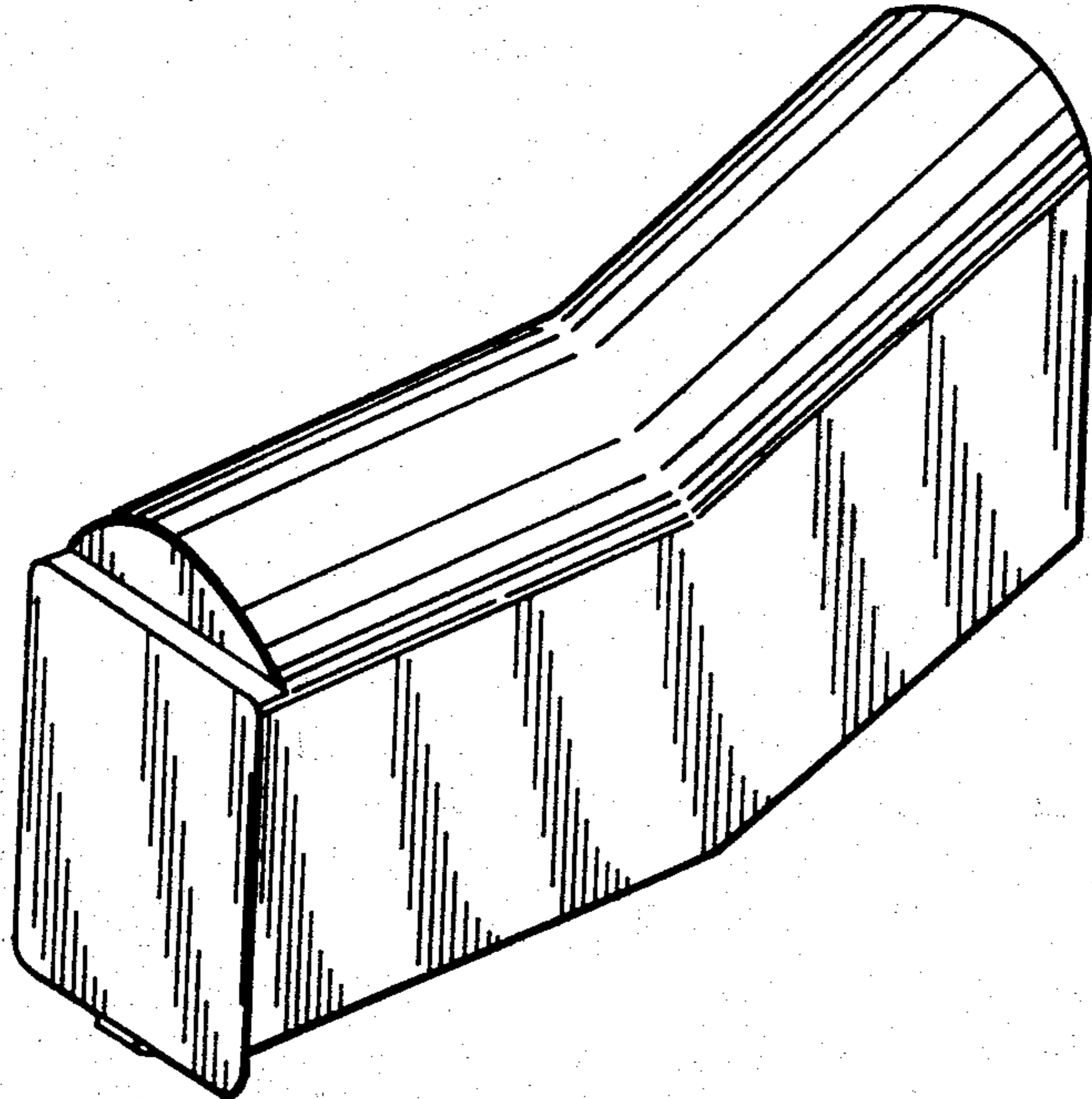
Primary Examiner—A. Hugo Word
Attorney, Agent, or Firm—Leonard Tachner

[57] CLAIM

The ornamental design for a rodent trap, as shown and described.

DESCRIPTION.

FIG. 1 is a perspective view of a first embodiment of my rodent trap;
 FIG. 2 is a front view thereof;
 FIG. 3 is a top view thereof;
 FIG. 4 is a bottom view thereof;
 FIG. 5 is a first side view thereof;
 FIG. 6 is a second side view thereof;
 FIG. 7 is a perspective view of a second embodiment of my rodent trap;
 FIG. 8 is a front view of said second embodiment;
 FIG. 9 is a top view of said second embodiment;
 FIG. 10 is a bottom view of said embodiment;
 FIG. 11 is a first side view of said second embodiment;
 and
 FIG. 12 is a second side view of said second embodiment.



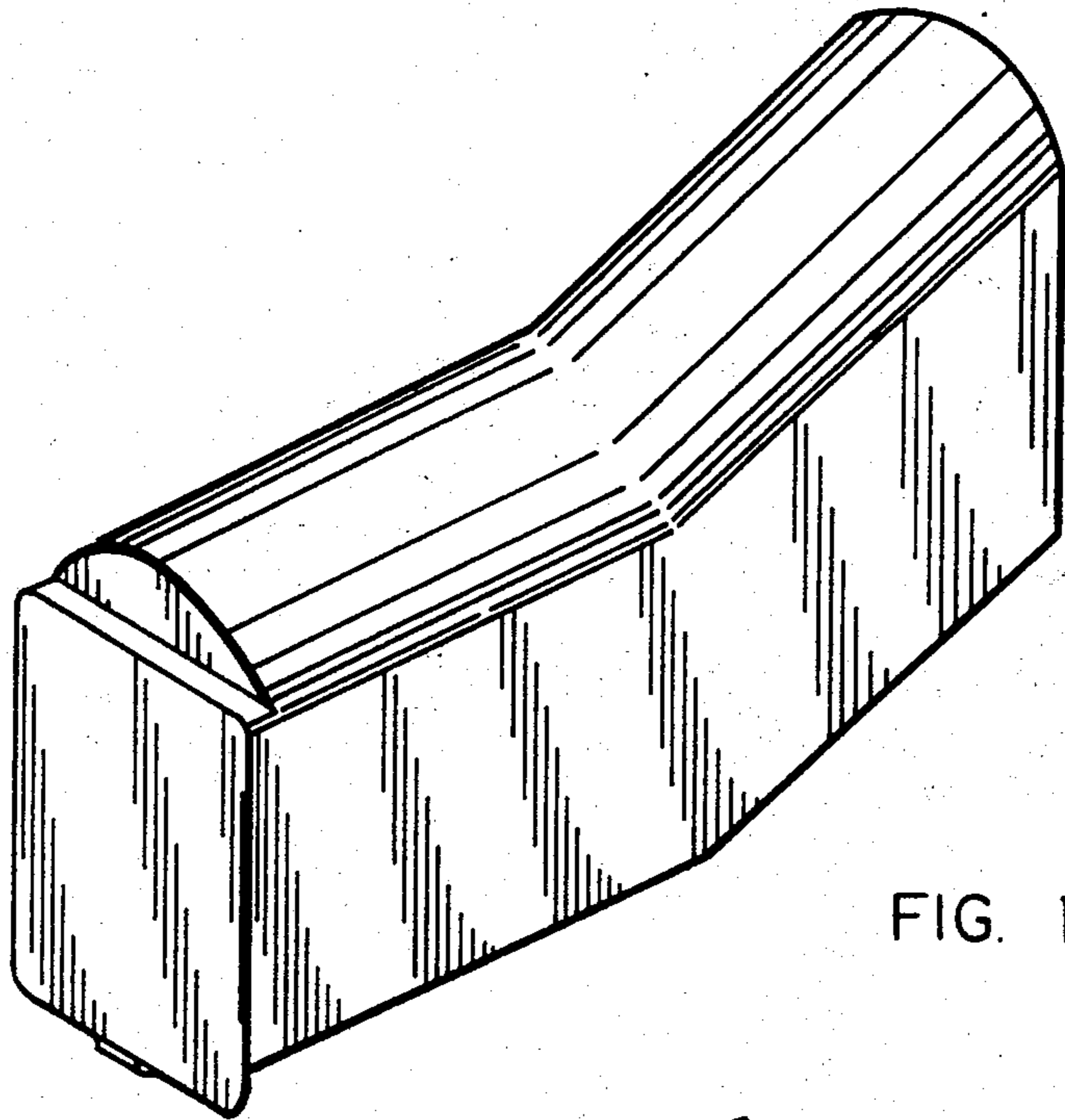


FIG. 1

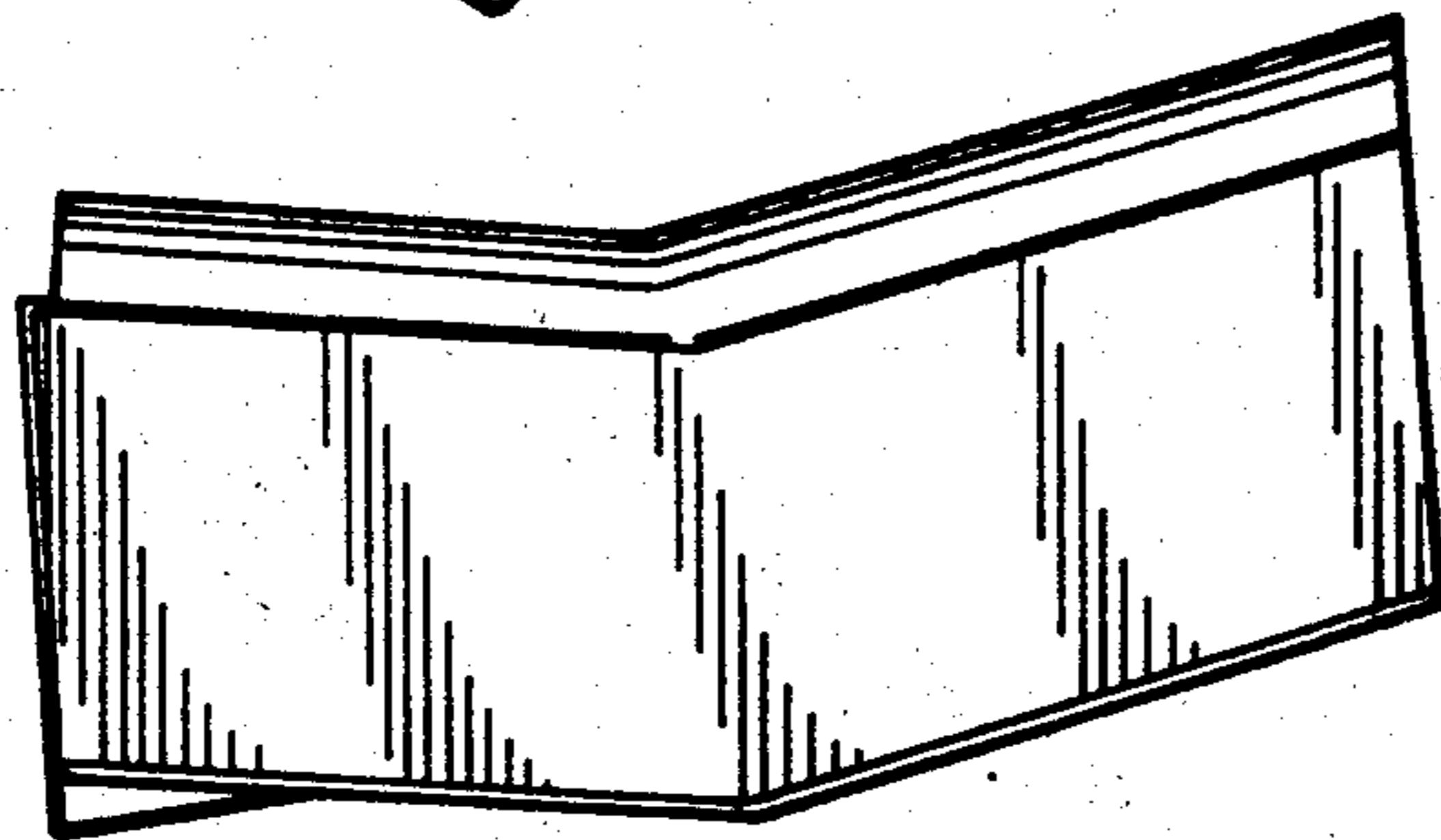


FIG. 2

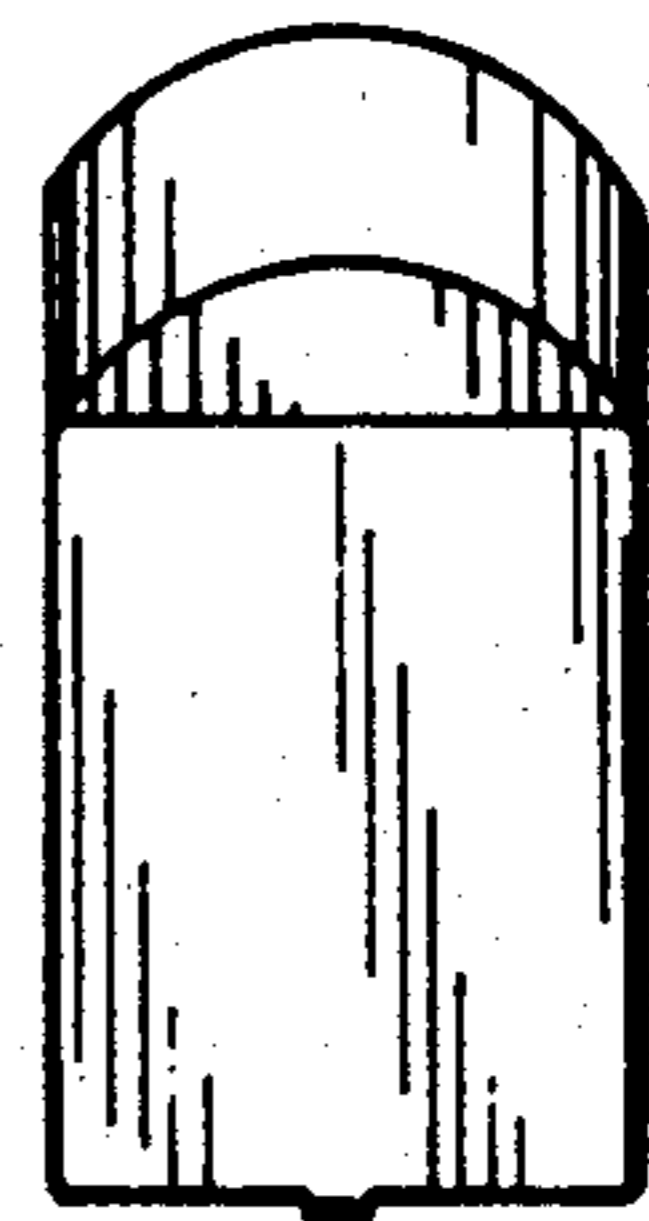


FIG. 5

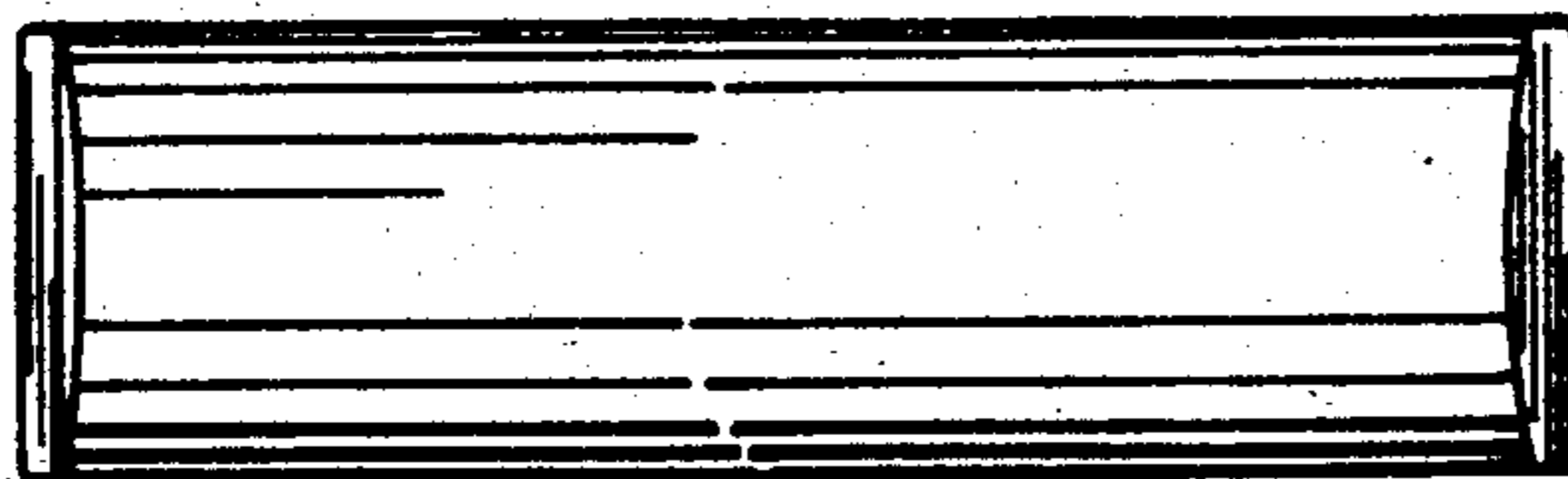


FIG. 3



FIG. 6

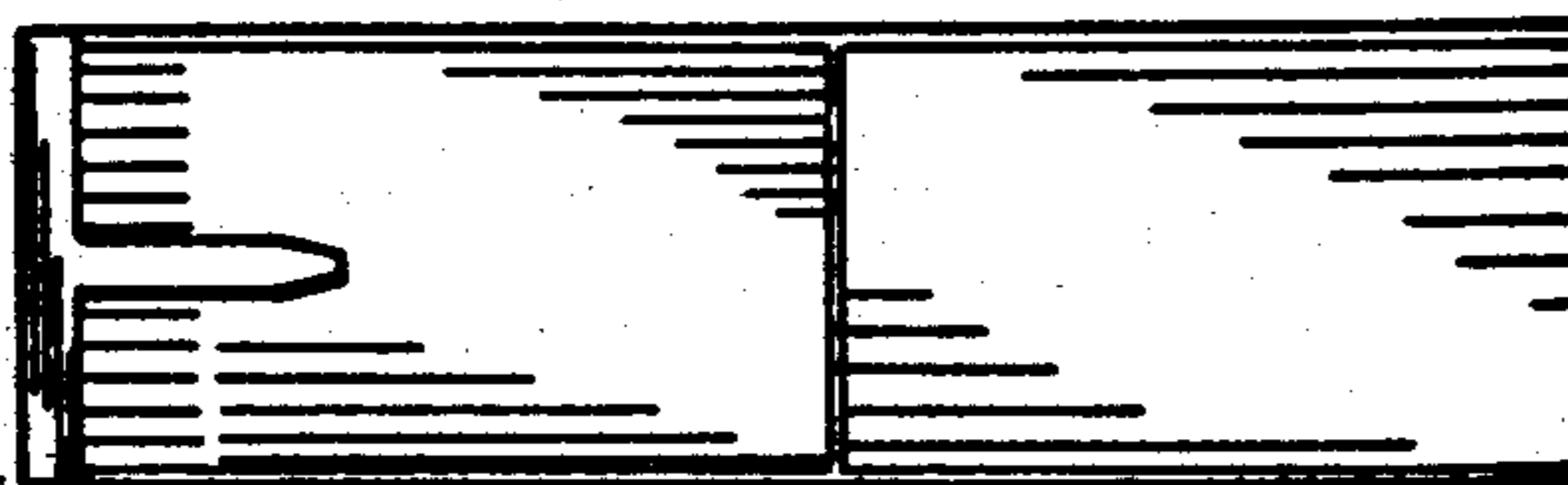


FIG. 4

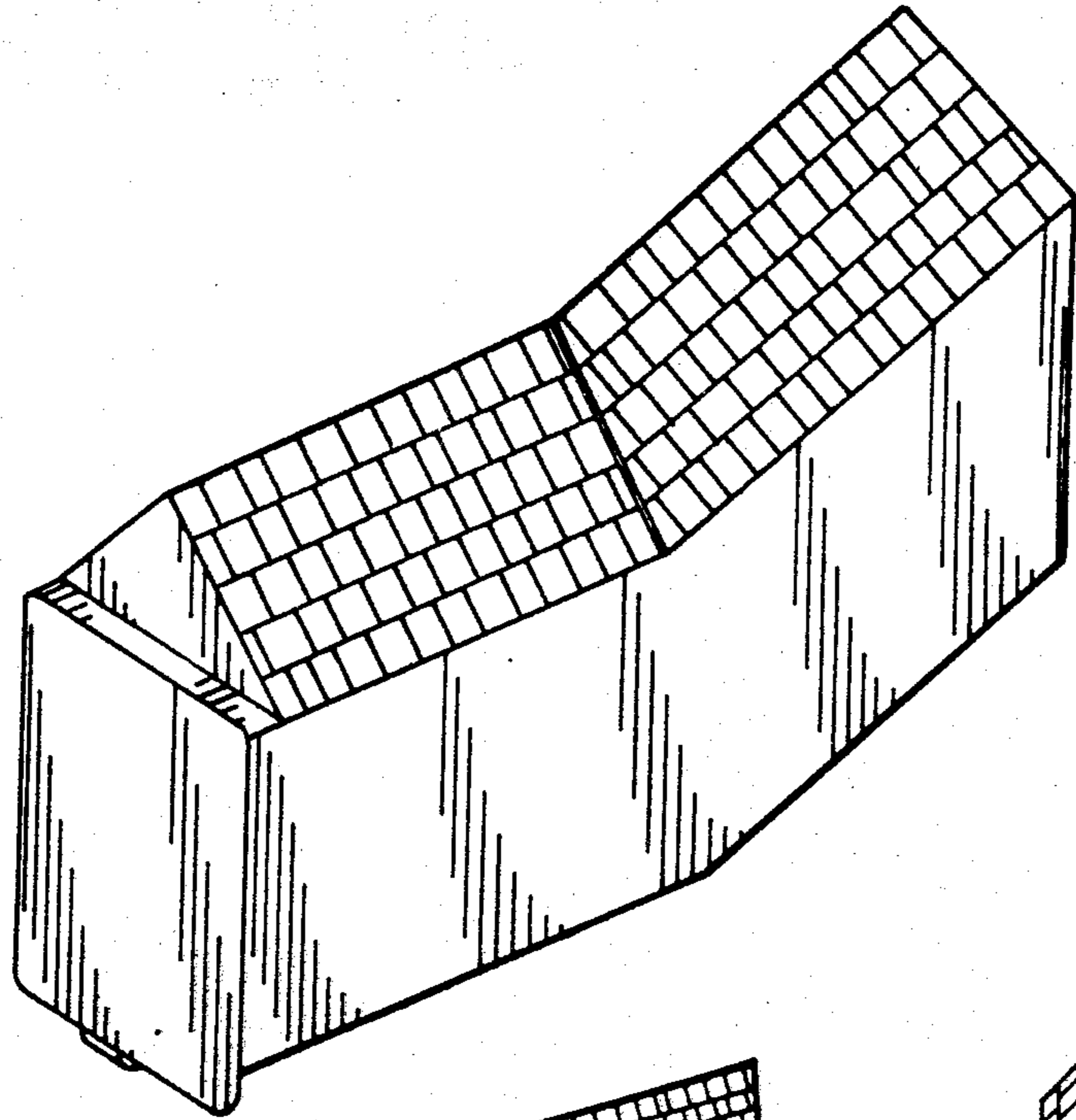


FIG. 7

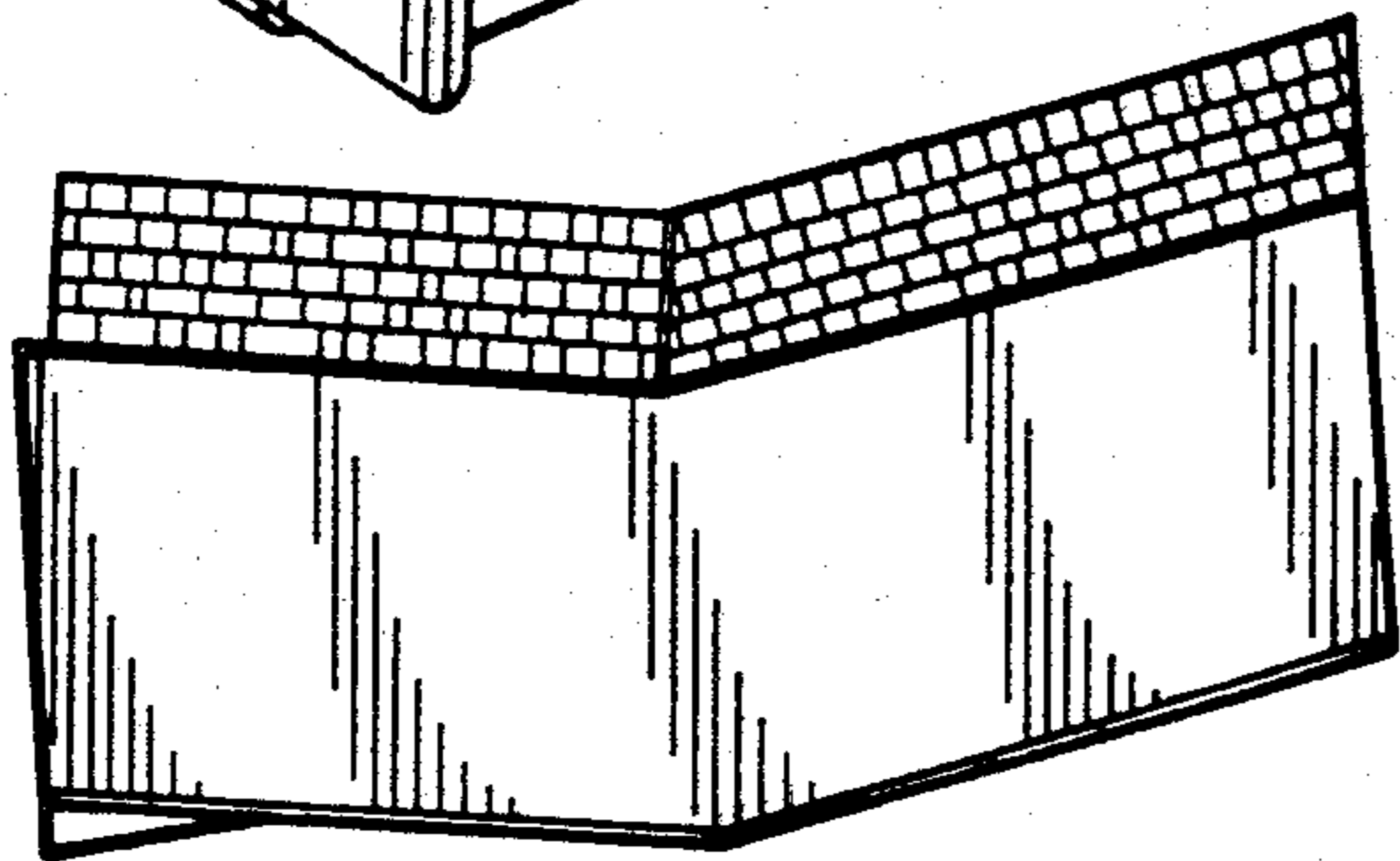


FIG. 8

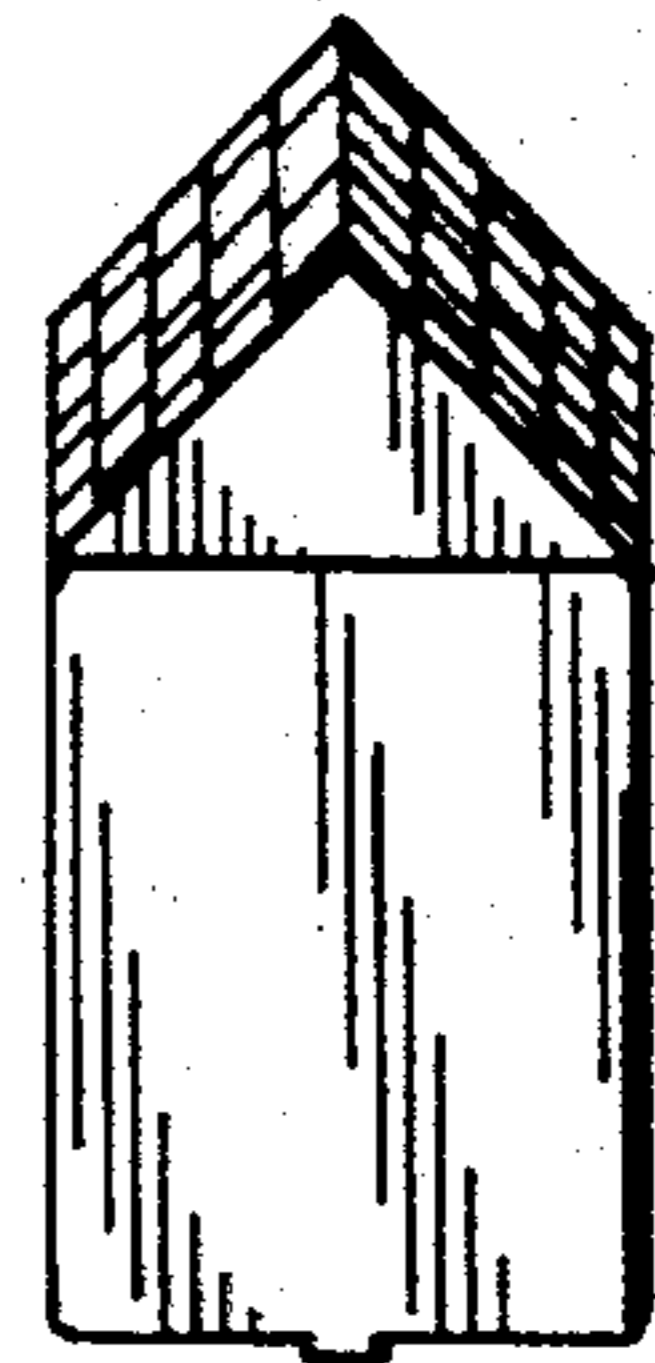


FIG. 11

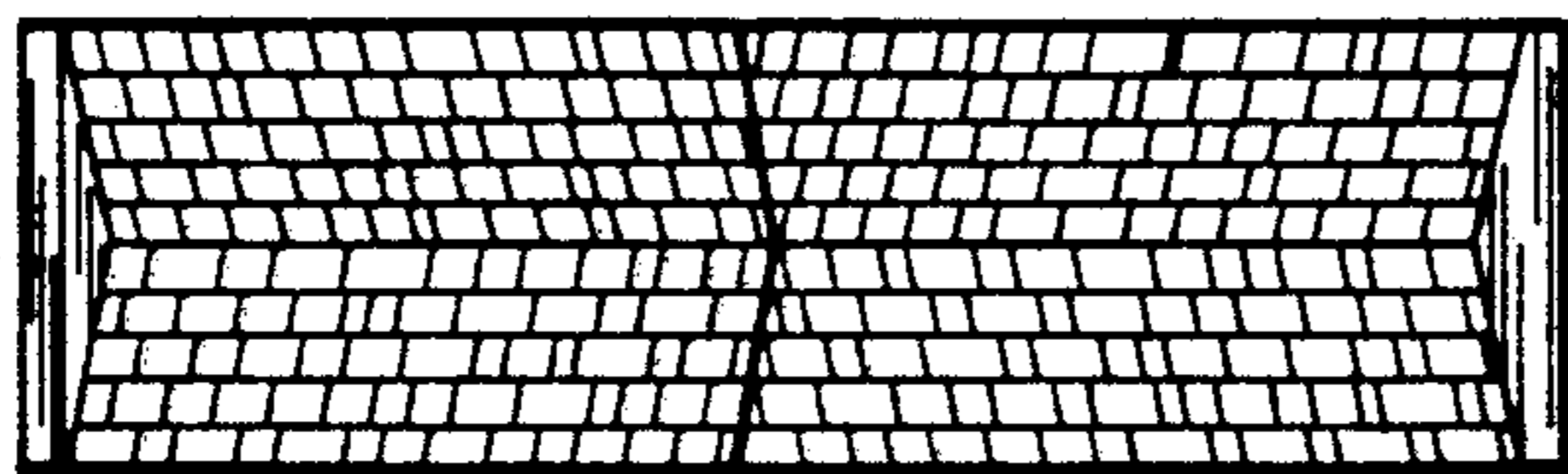


FIG. 9

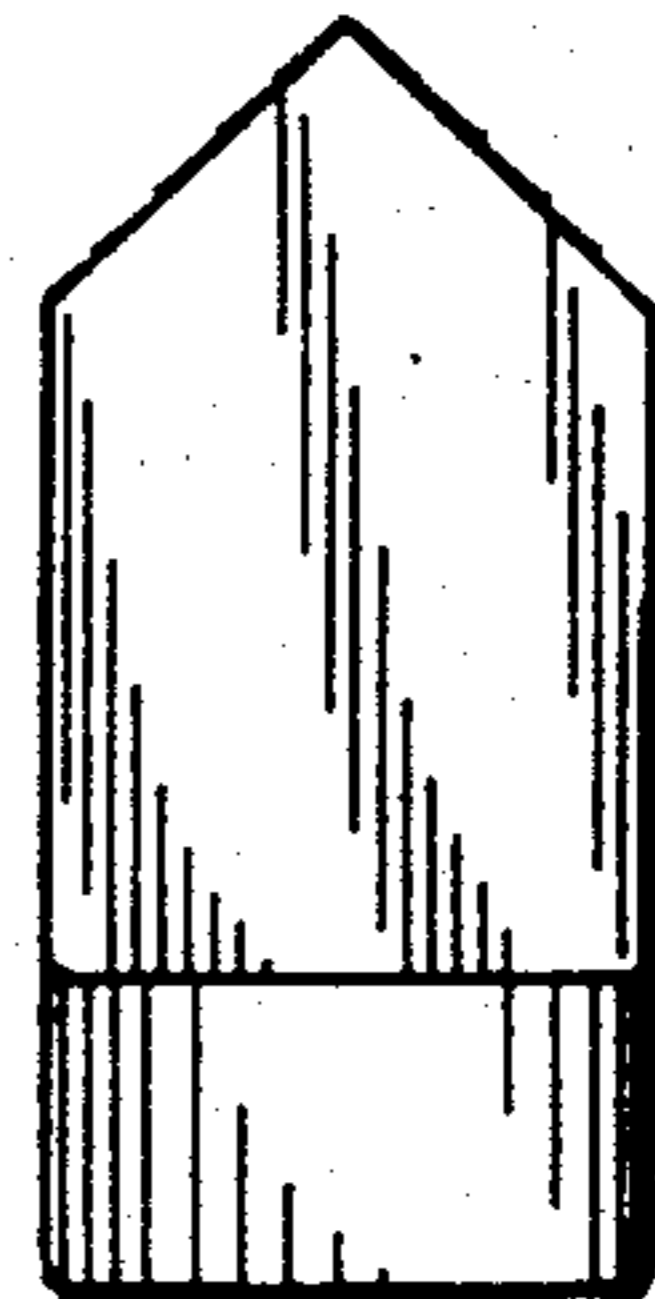


FIG. 12

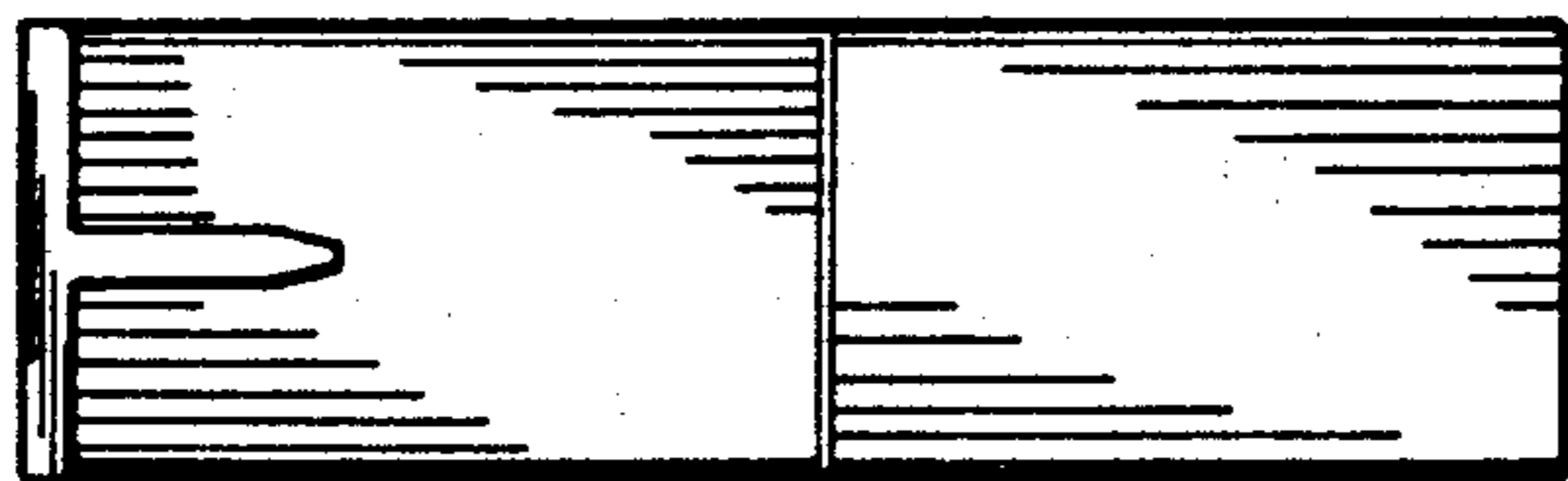


FIG. 10