

[54] EXERCISE WEIGHT

[76] Inventor: Hann C. Wu, No. 145, Jen Ho Road, Tainan, Taiwan

[**] Term: 14 Years

[21] Appl. No.: 755,501

[22] Filed: Jul. 16, 1985

[52] U.S. Cl. D21/197

[58] Field of Search D21/191-199; 272/67, 68, 122, 123, 114, 119, 124, 143

[56] References Cited

U.S. PATENT DOCUMENTS

- D. 274,829 7/1984 Bankier D21/198
- D. 285,329 8/1986 Boettger D21/198
- 916,813 3/1909 Whitney 272/122

OTHER PUBLICATIONS

Marcy catalog, p. 7, "Beauty Bells".

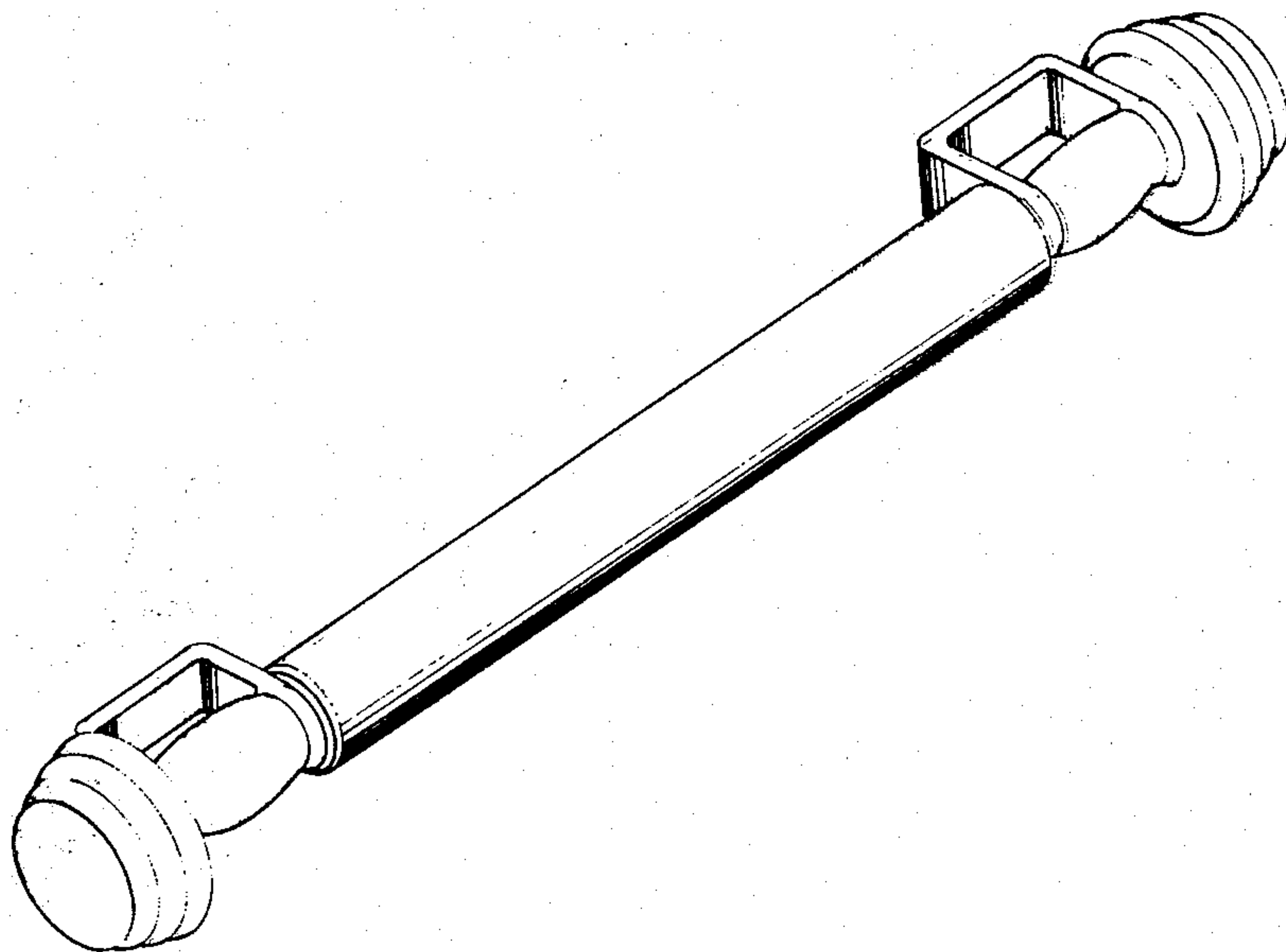
Primary Examiner—Charles A. Rademaker
Attorney, Agent, or Firm—Armstrong, Nikaido,
Marmelstein & Kubovcik

[57] CLAIM

The ornamental design for an exercise weight, as shown and described.

DESCRIPTION

FIG. 1 is a perspective view of an exercise weight showing my new design;
 FIG. 2 is a top plan view thereof;
 FIG. 3 is a bottom plan view thereof;
 FIG. 4 is a side elevational view thereof, the side opposite being a mirror image;
 FIG. 5 is a front elevational view thereof;
 FIG. 6 is an exploded view of the design shown in FIGS. 1 through 5 with additional weight members added to the handle members; and,
 FIG. 7 is another exploded view thereof.



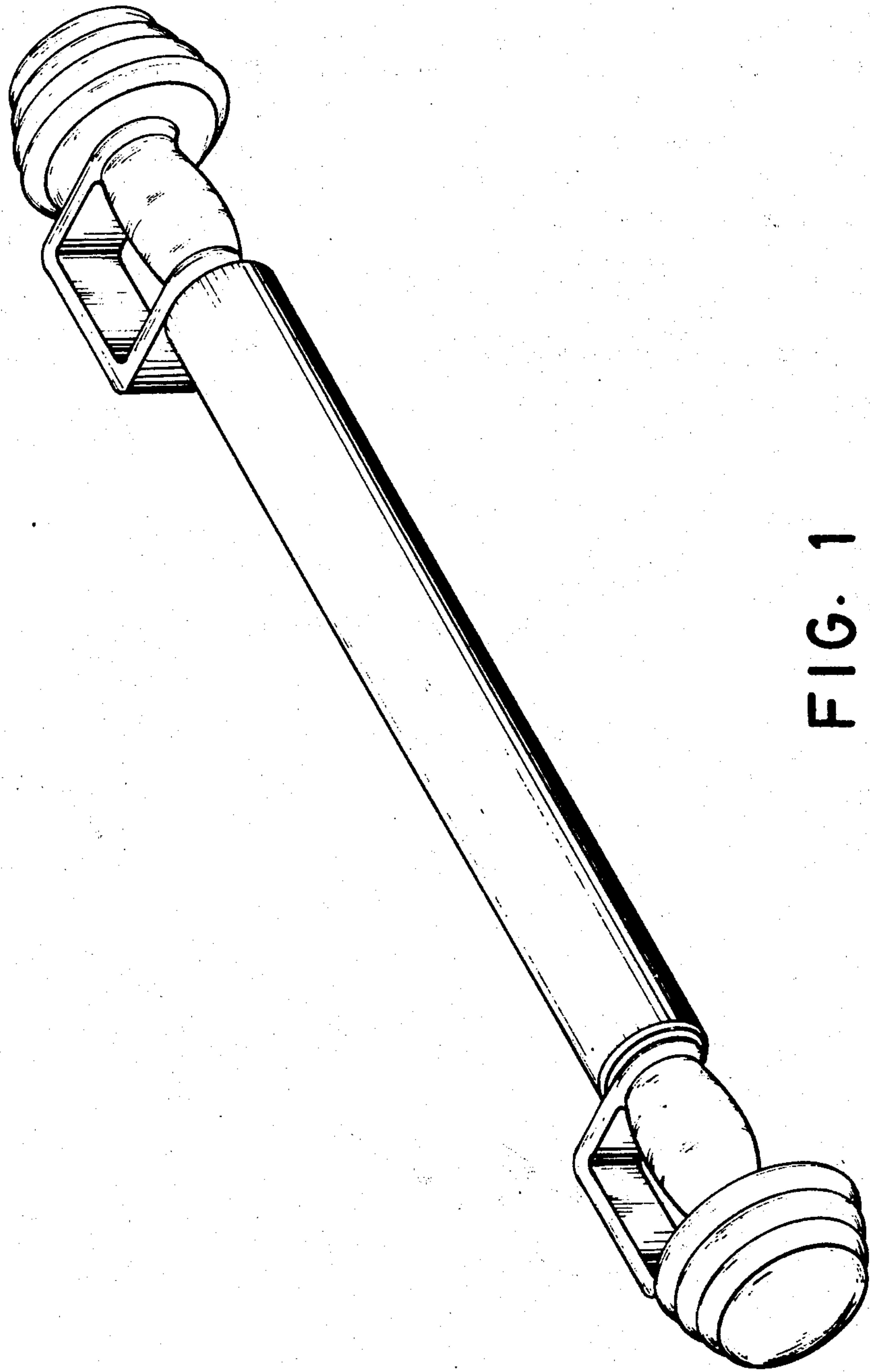


FIG. 1

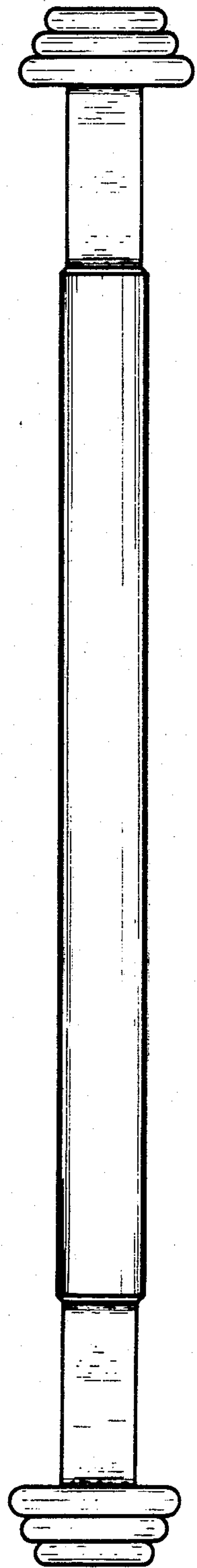


FIG. 2



FIG. 3

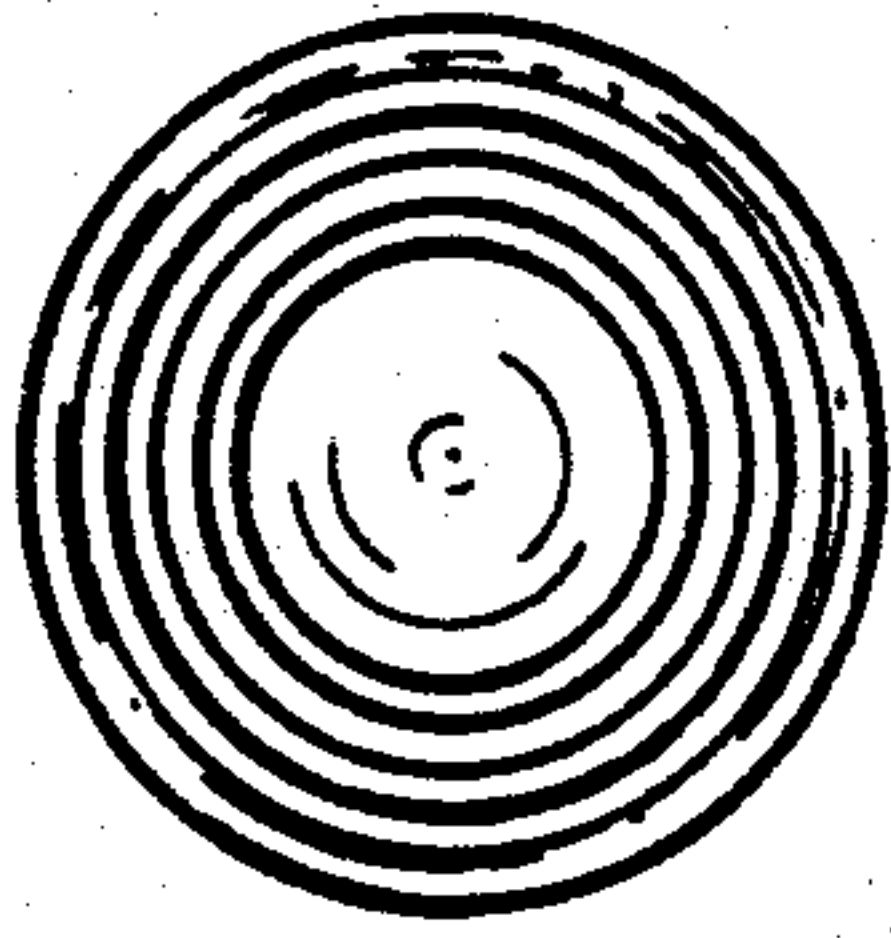


FIG. 4

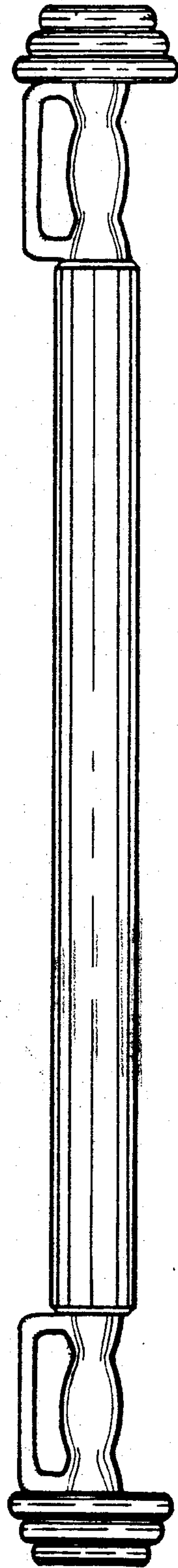


FIG. 5

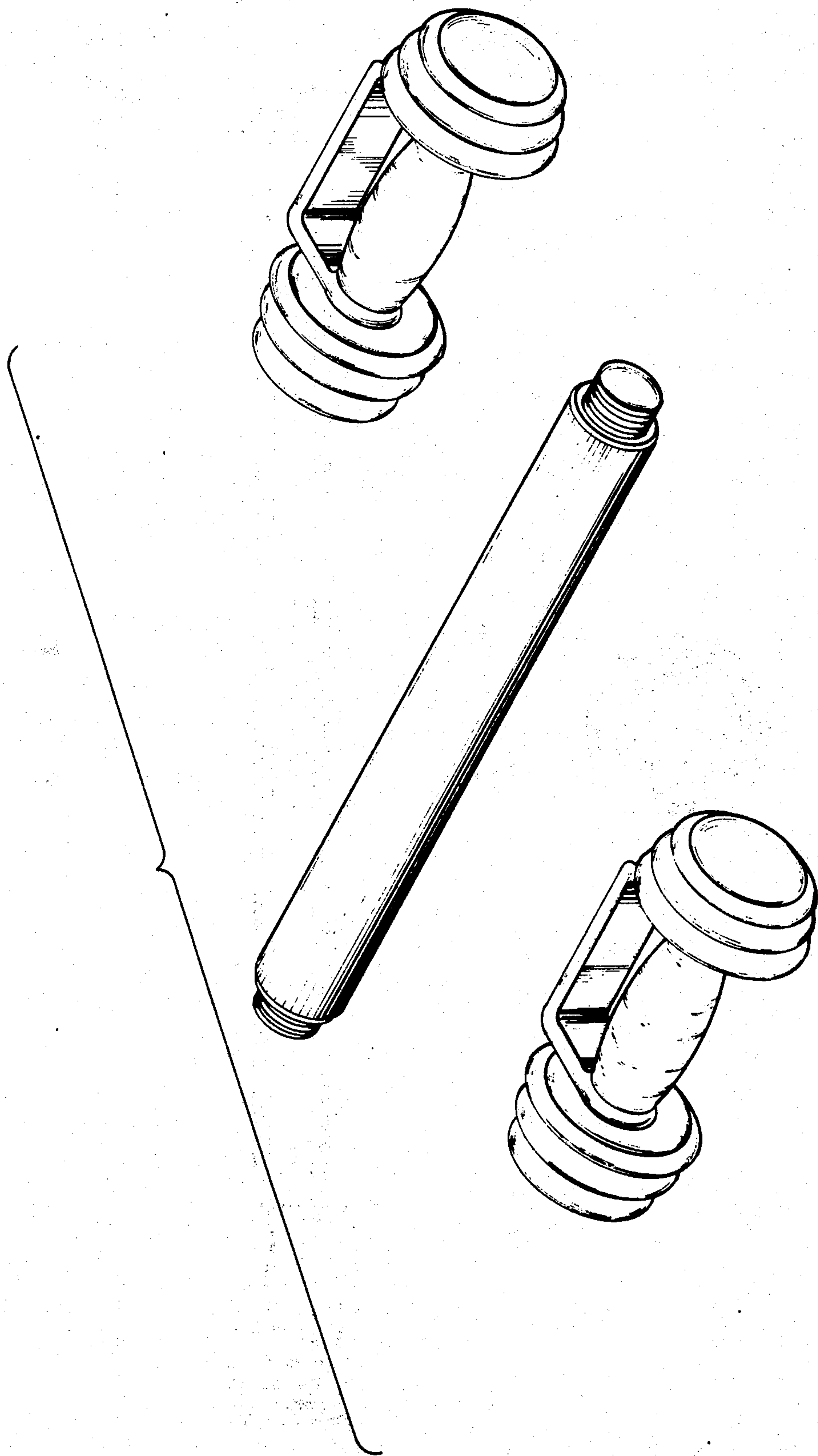


FIG. 6

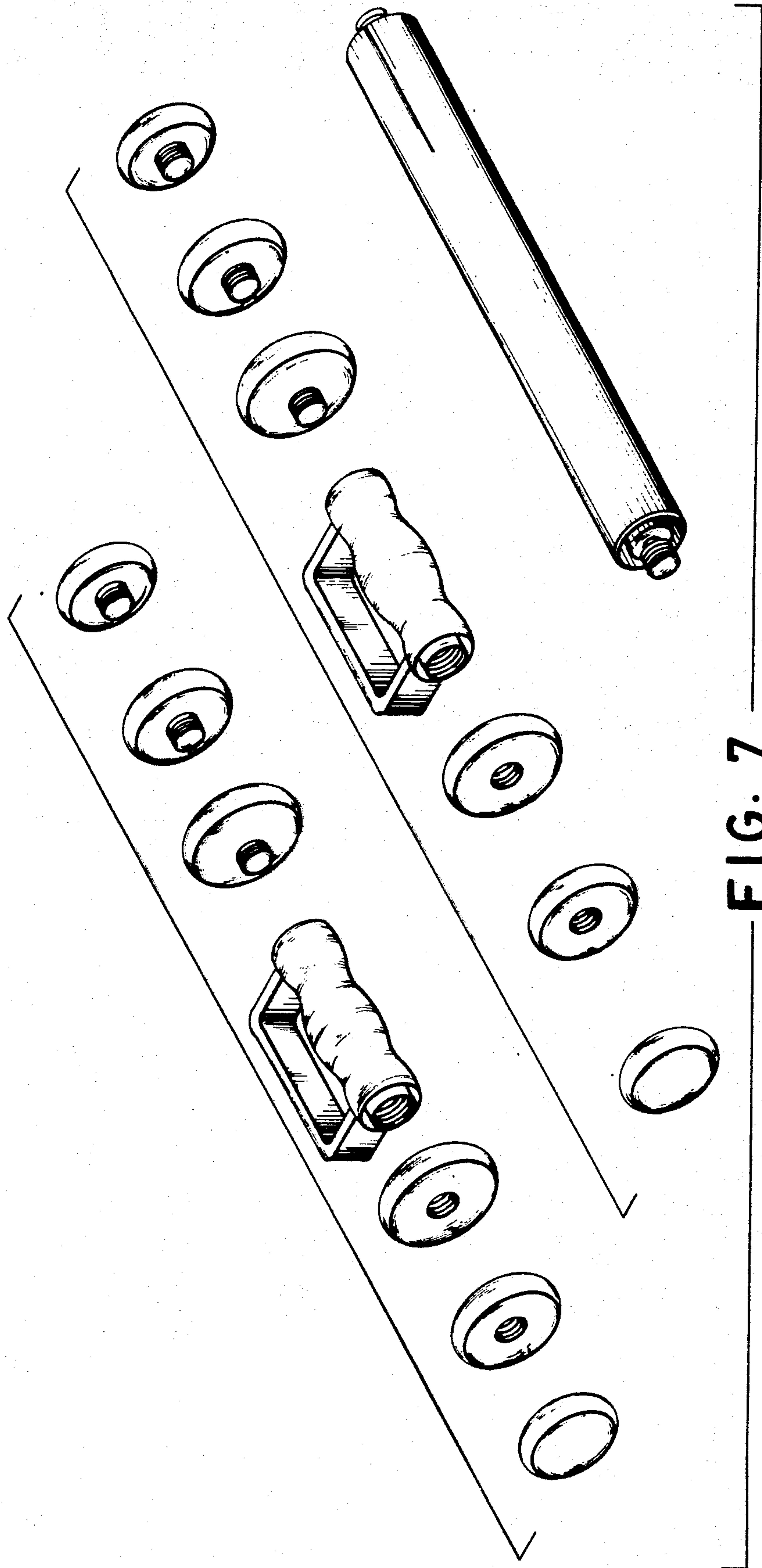


FIG. 7