

United States Patent [19]

Bourret

[11] Patent Number: **Des. 291,586**

[45] Date of Patent: **** Aug. 25, 1987**

[54] EXERCISE MAT

[76] Inventor: **Linda Bourret, 2548 Ardsheal Dr.,
La Habra, Calif. 90631**

[**] Term: **14 Years**

[21] Appl. No.: **651,537**

[22] Filed: **Sep. 17, 1984**

[52] U.S. Cl. **D21/191; D6/582;
D6/583**

[58] Field of Search **5/420, 419, 417, 466;
D6/582, 583; D21/191-199**

[56] **References Cited**

U.S. PATENT DOCUMENTS

D. 224,138 7/1972 Mahler D6/583
D. 255,197 6/1980 Brown D6/582

3,143,748 8/1964 Manning 5/420
4,231,125 11/1980 Tittl 5/419

Primary Examiner—Charles A. Rademaker
Attorney, Agent, or Firm—Harland L. Burge, Jr.

[57] **CLAIM**

The ornamental design for an exercise mat, as shown and described.

DESCRIPTION

FIG. 1 is a perspective view of an exercise mat showing my new design;
FIG. 2 is a left end elevational view thereof;
FIG. 3 is a side elevational view of the side opposite that shown in FIG. 1;
FIG. 4 is a bottom plan view thereof; and,
FIG. 5 is another perspective view of the design shown in FIGS. 1 through 4 in a rolled-up condition.

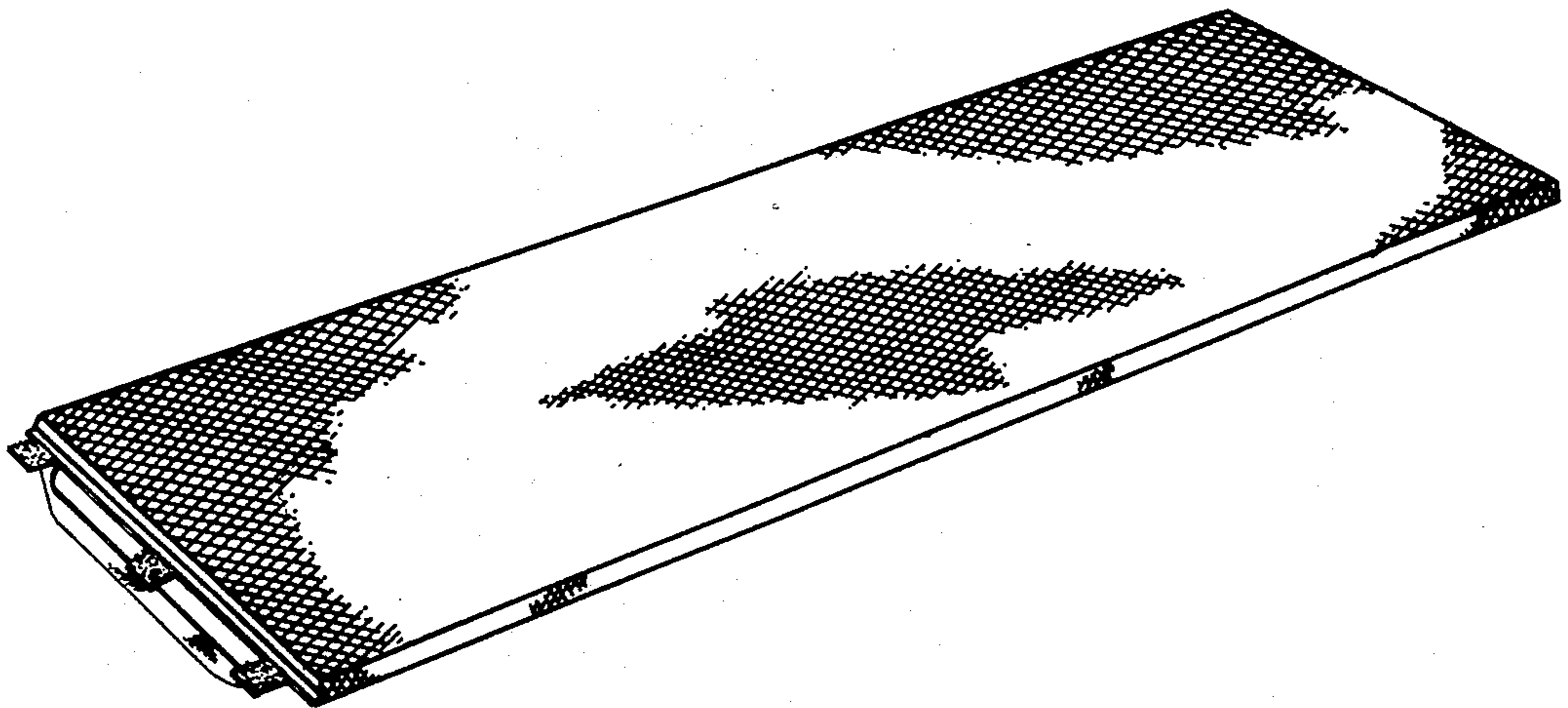


FIG. 1

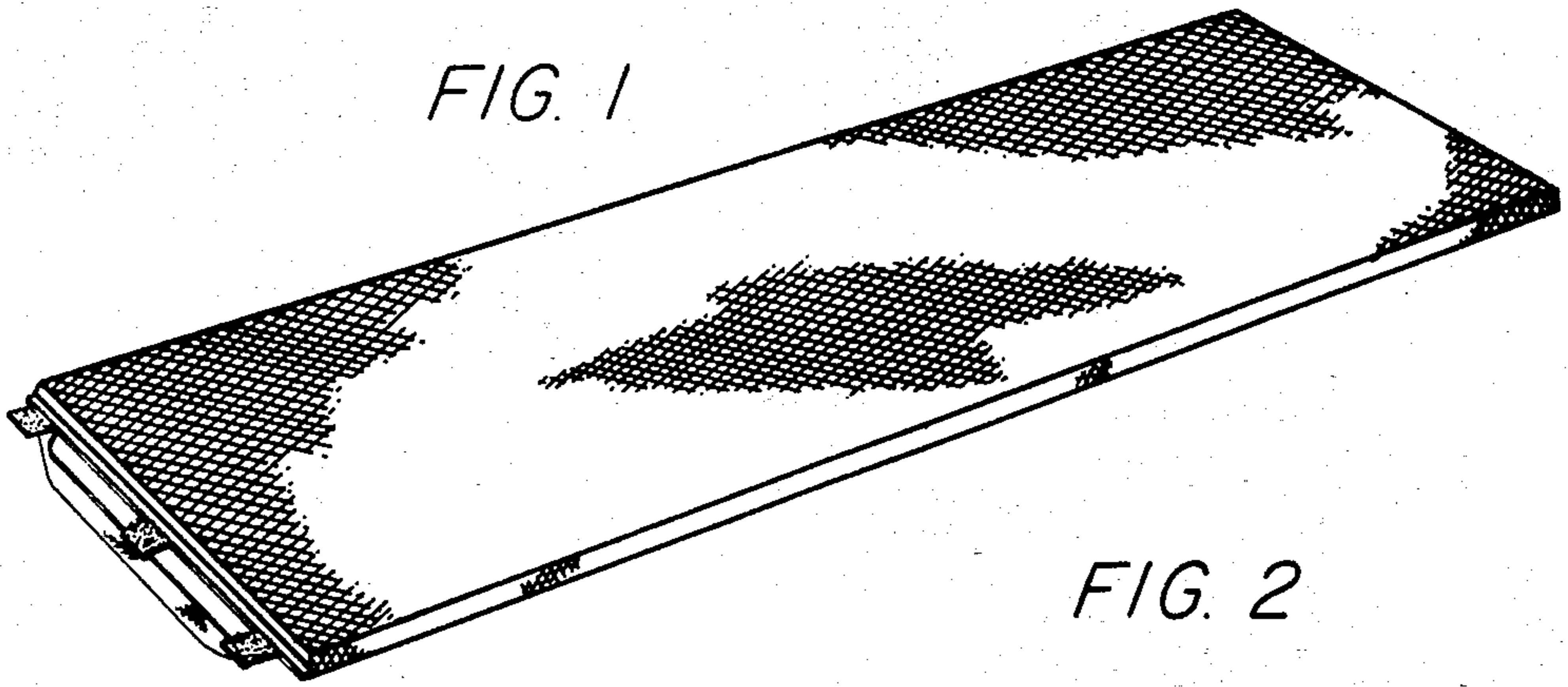


FIG. 2

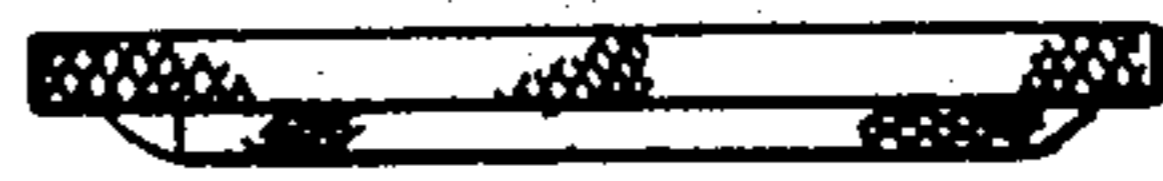


FIG. 3

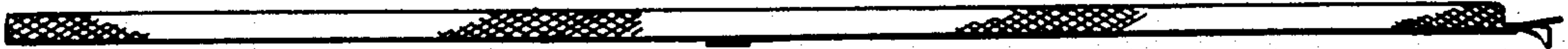


FIG. 4

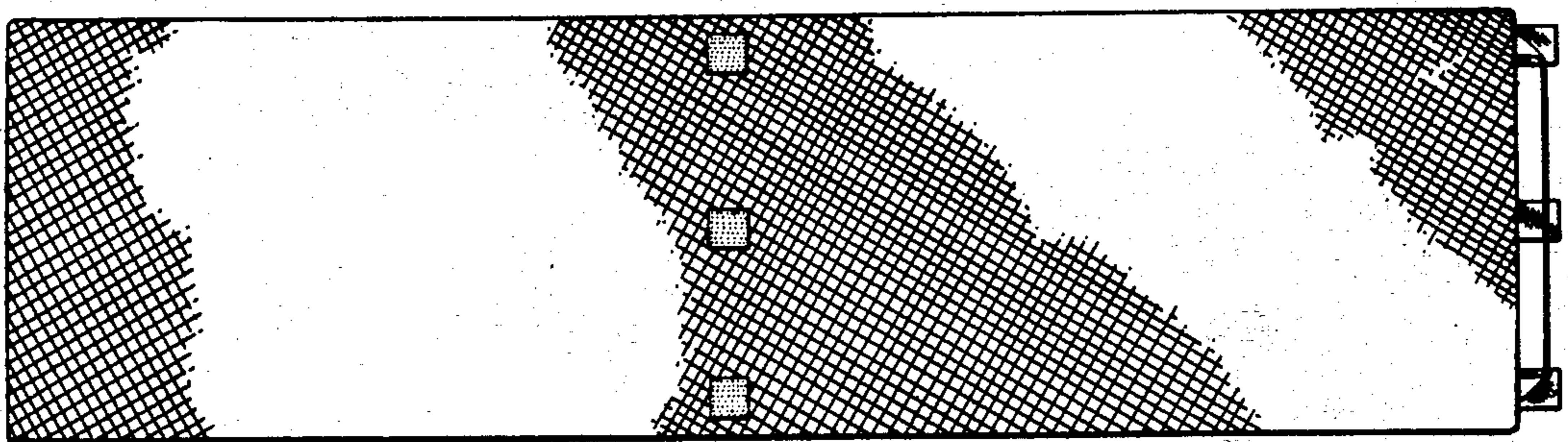


FIG. 5

