

[54] FRAME FOR TILE CUTTER

[75] Inventor: Paul S. Hepworth, Leicester, England
[73] Assignee: Plas Plugs Limited, Derby, England
[**] Term: 14 Years
[21] Appl. No.: 662,280
[22] Filed: Oct. 18, 1984

[30] Foreign Application Priority Data

Apr. 26, 1984 [GB] United Kingdom 1019328
[52] U.S. Cl. D15/127
[58] Field of Search D15/127; 125/23 R, 23 T; 225/96.5, 103

[56] References Cited

U.S. PATENT DOCUMENTS

D. 172,910 8/1954 Vennell D15/127
2,184,894 12/1939 Mariutto 125/23 T
4,026,262 5/1977 Yasuga 125/23 T
4,084,569 4/1978 Christmas D15/127

4,378,782 4/1983 Richard et al. 125/23 T

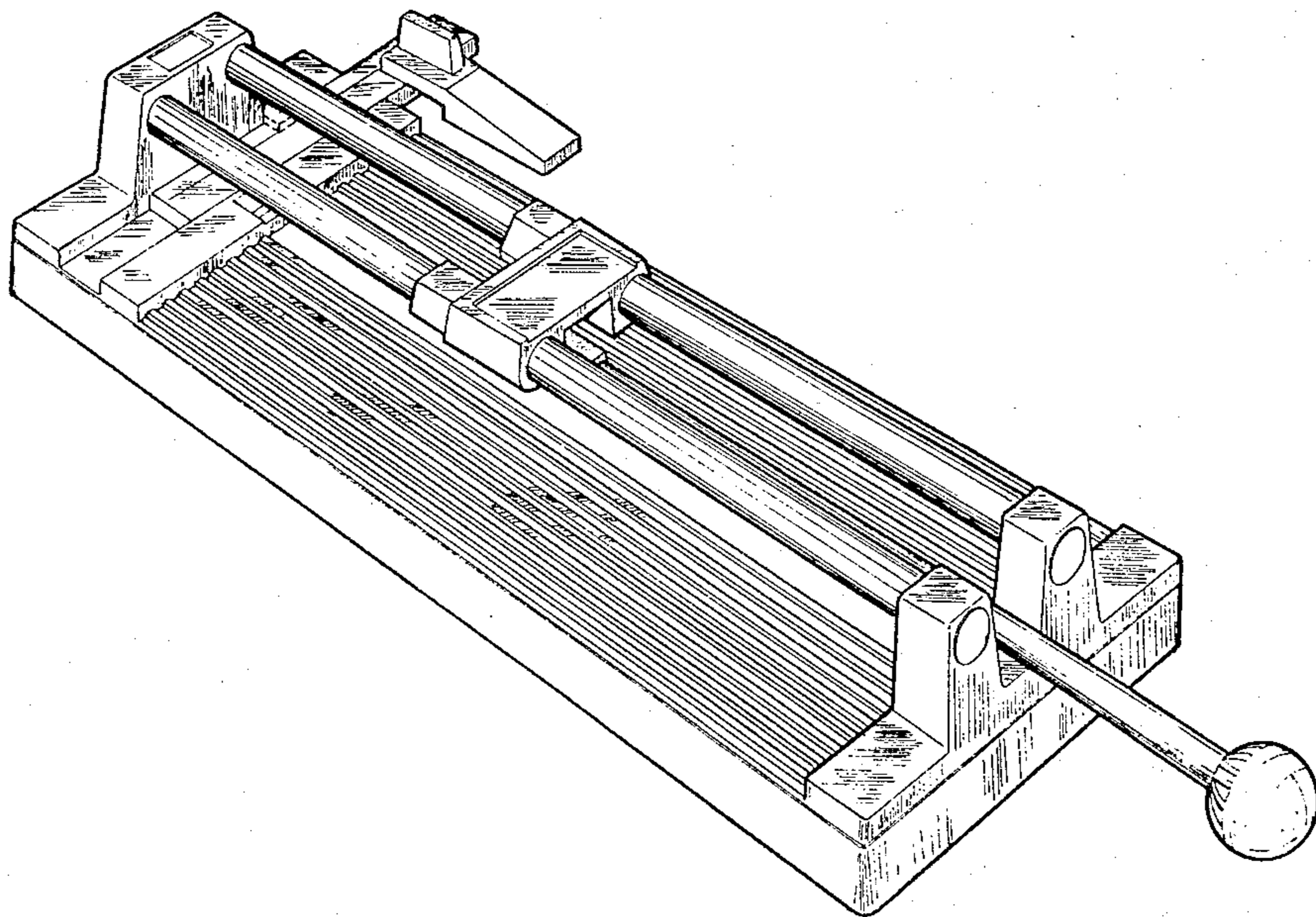
Primary Examiner—B. J. Bullock
Attorney, Agent, or Firm—Spensley Horn Jubas & Lubitz

[57] CLAIM

The ornamental design for a frame for tile cutter, as shown and described.

DESCRIPTION

FIG. 1 is a perspective view of a frame for tile cutter showing my new design;
FIG. 2 is a front elevational view thereof;
FIG. 3 is a front elevational view with the arm in the raised position;
FIG. 4 is a fragmentary perspective of the cutting wheel assembly shown separately for clarity of illustration;
FIG. 5 is an enlarged fragmentary front elevational view with the arm lowered;
FIG. 6 is an enlarged fragmentary front elevational view with the arm raised.
The elements in broken lines are shown for illustrative purposes only and form no part of the claimed design.



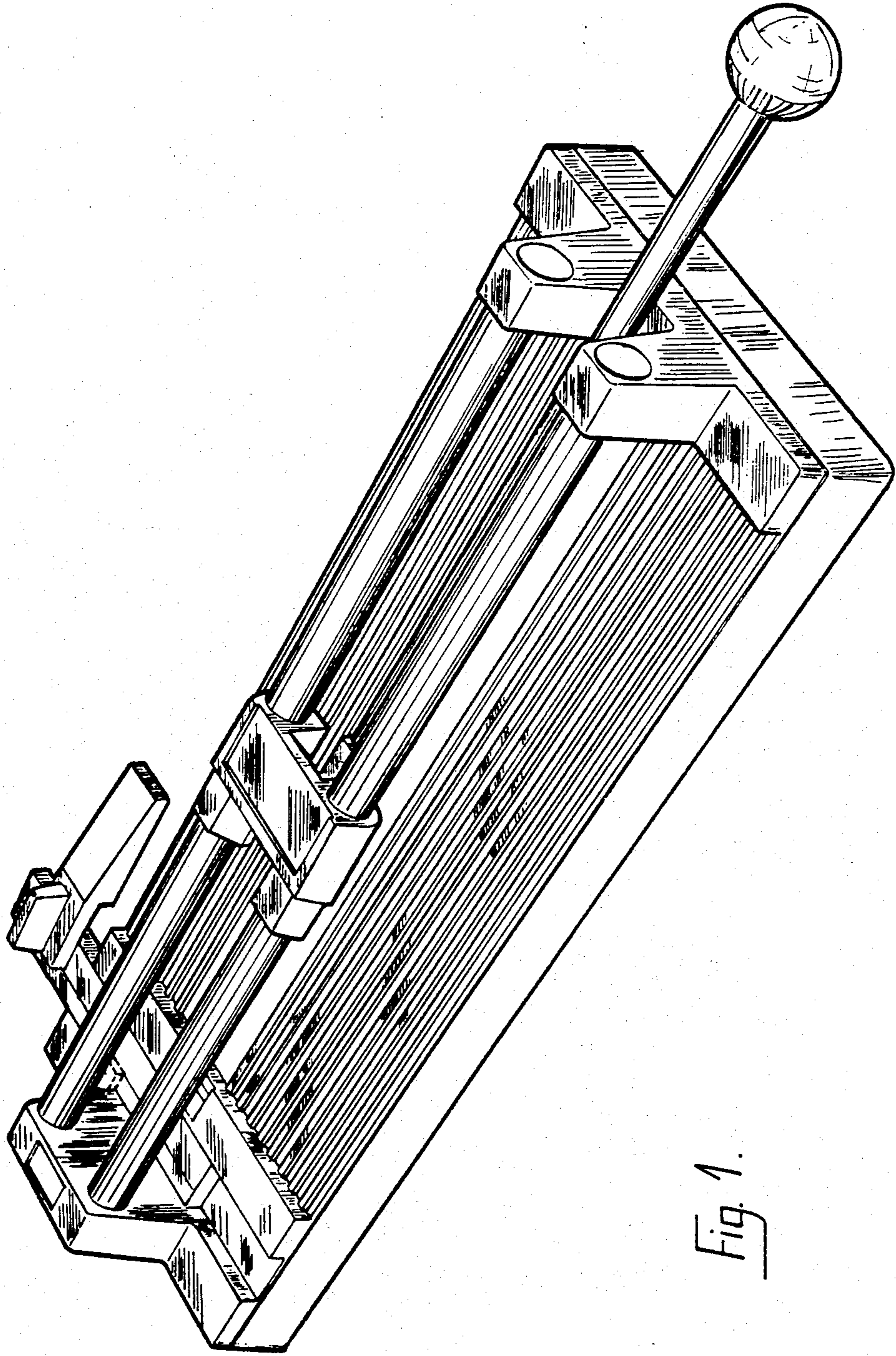


Fig. 1.

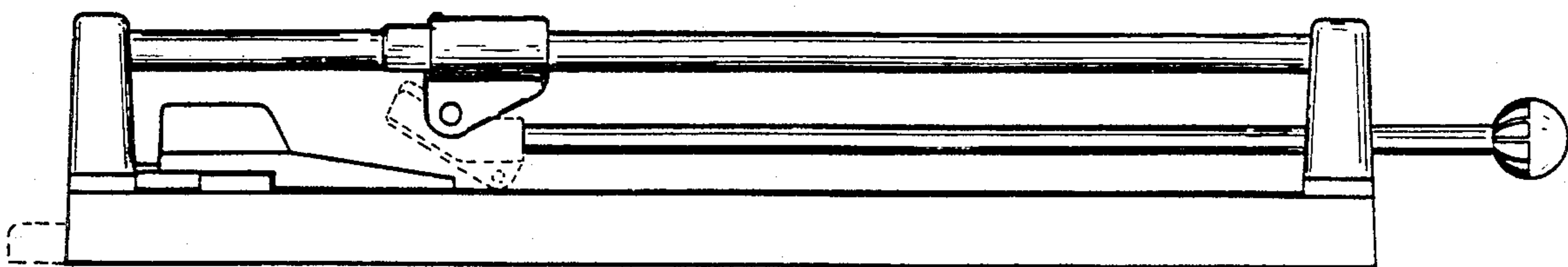


Fig. 2.

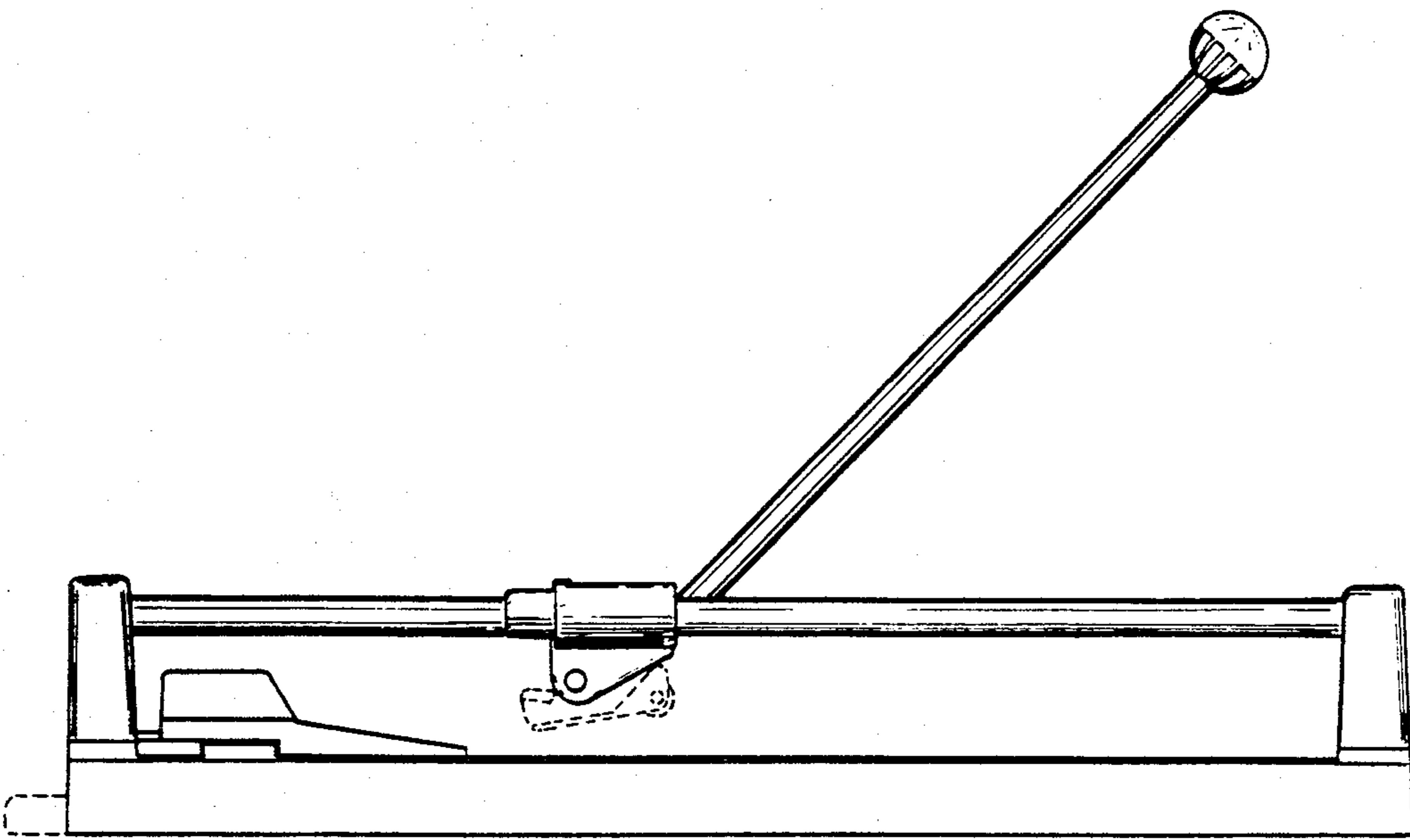


Fig. 3.

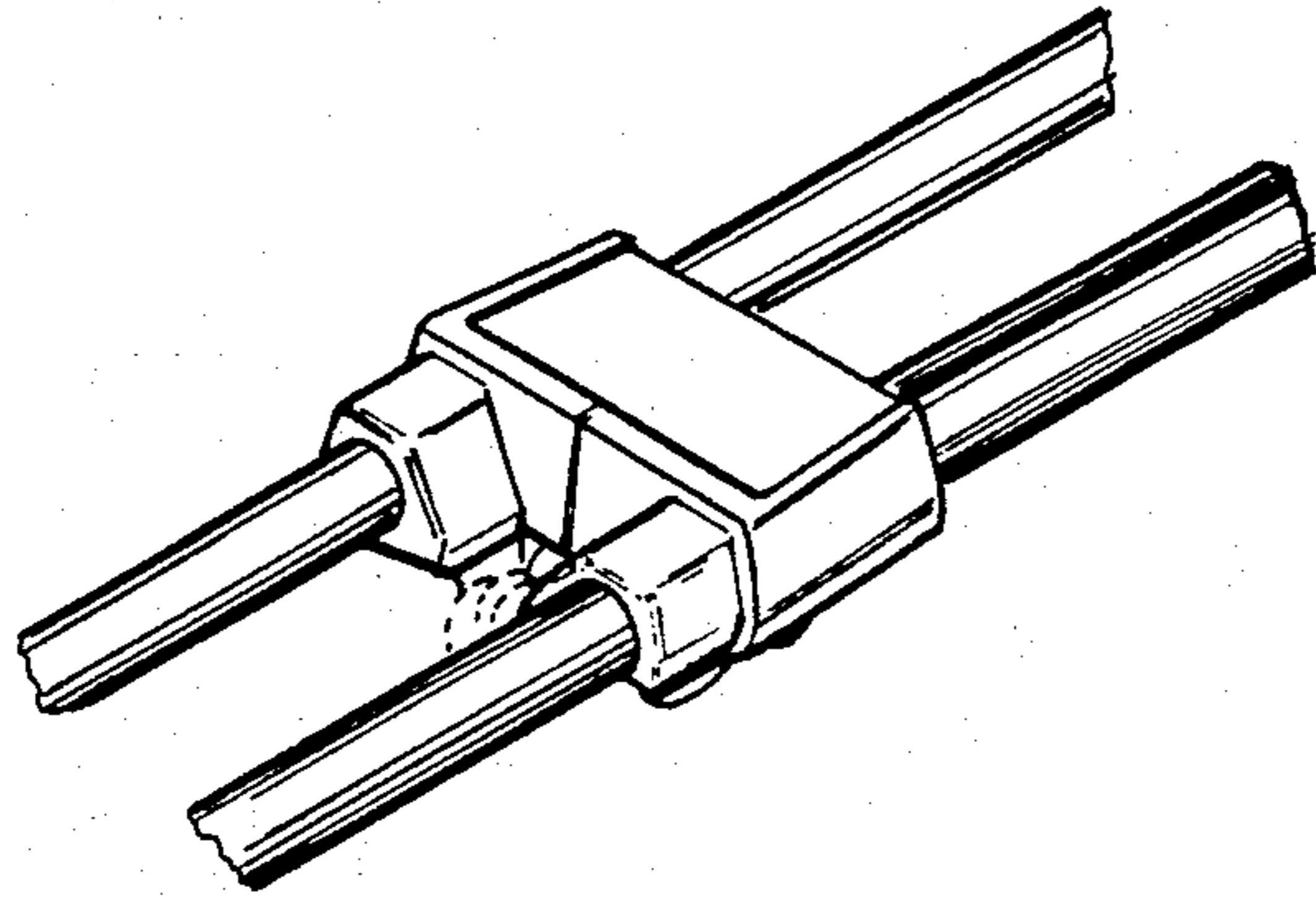


Fig. 4.

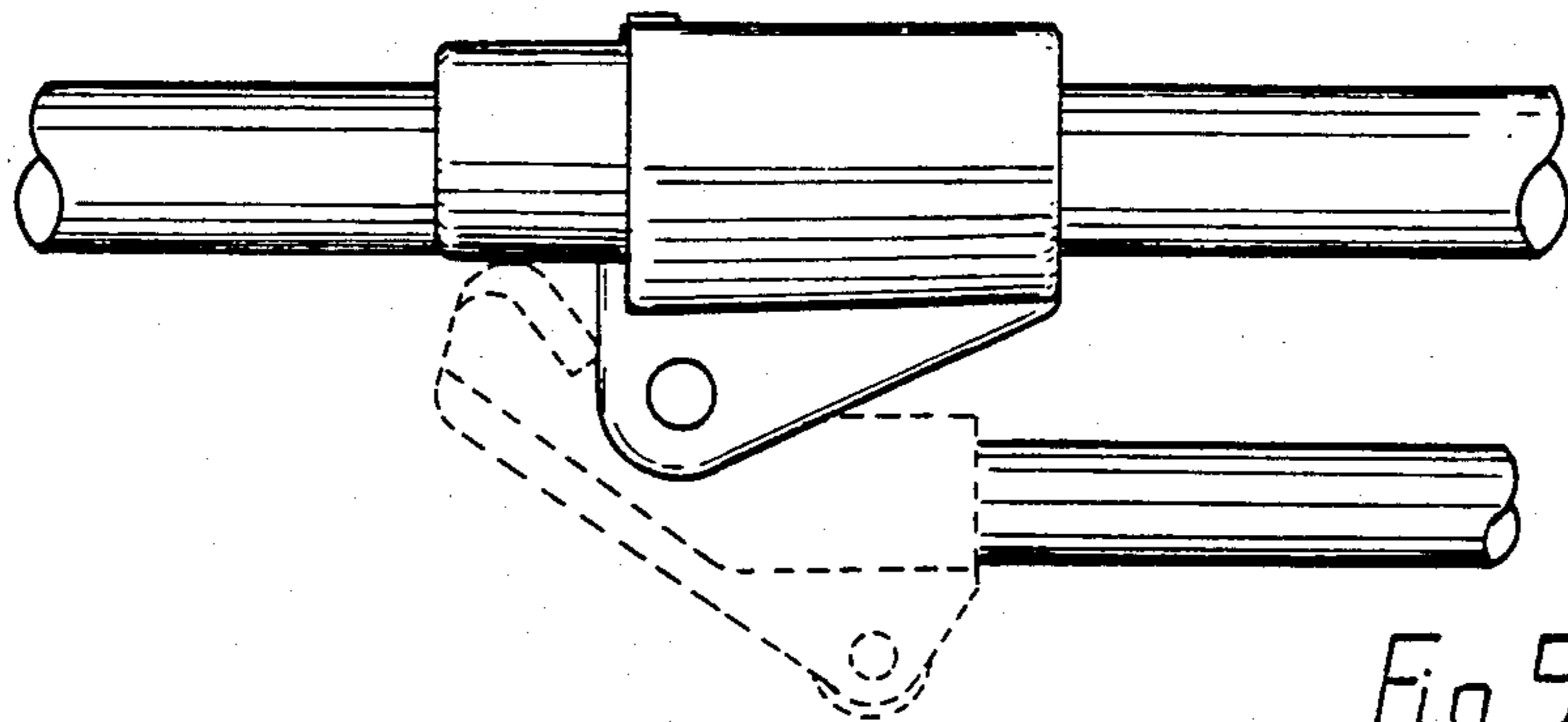


Fig. 5.

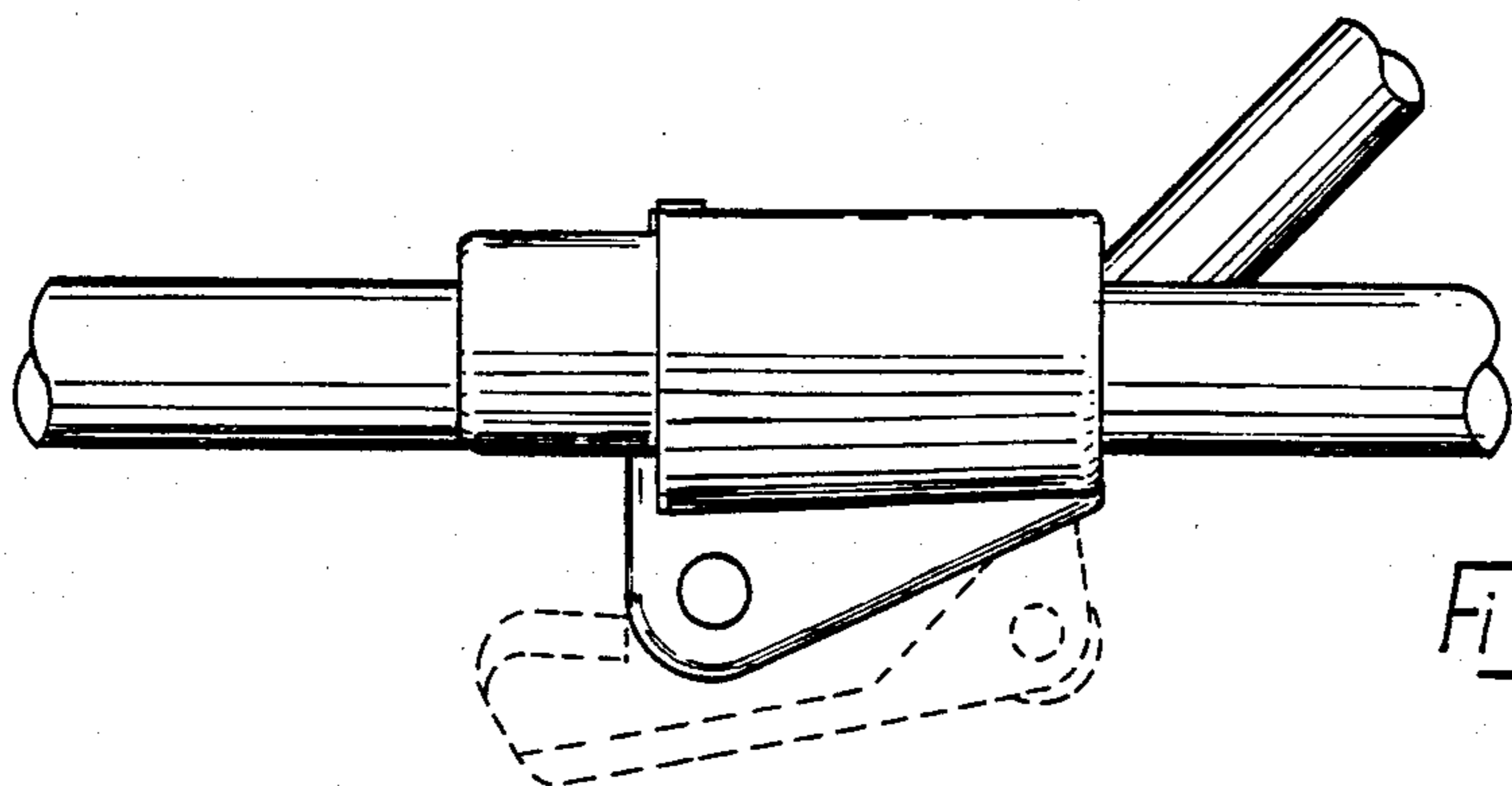


Fig 6