

[54] MACHINE FOR MAKING DRY ICE

[76] Inventor: **Yoshihisa Kawaguchi**, 229, 1-7, Akasaka 9-chome, Minato-ku, Tokyo 107, Japan

[**] Term: **14 Years**

[21] Appl. No.: **656,808**

[22] Filed: **Oct. 1, 1984**

[52] U.S. Cl. **D15/79**

[58] Field of Search **D15/79; 62/384, 388, 62/35, 165, 168**

[56] **References Cited**

U.S. PATENT DOCUMENTS

1,876,915	9/1932	Gordon	62/35
3,393,152	7/1968	Smith et al.	62/384
3,922,878	12/1975	Jalali	62/384
4,374,658	2/1983	Kawaguchi	62/35
4,412,852	11/1983	Umino et al.	62/35

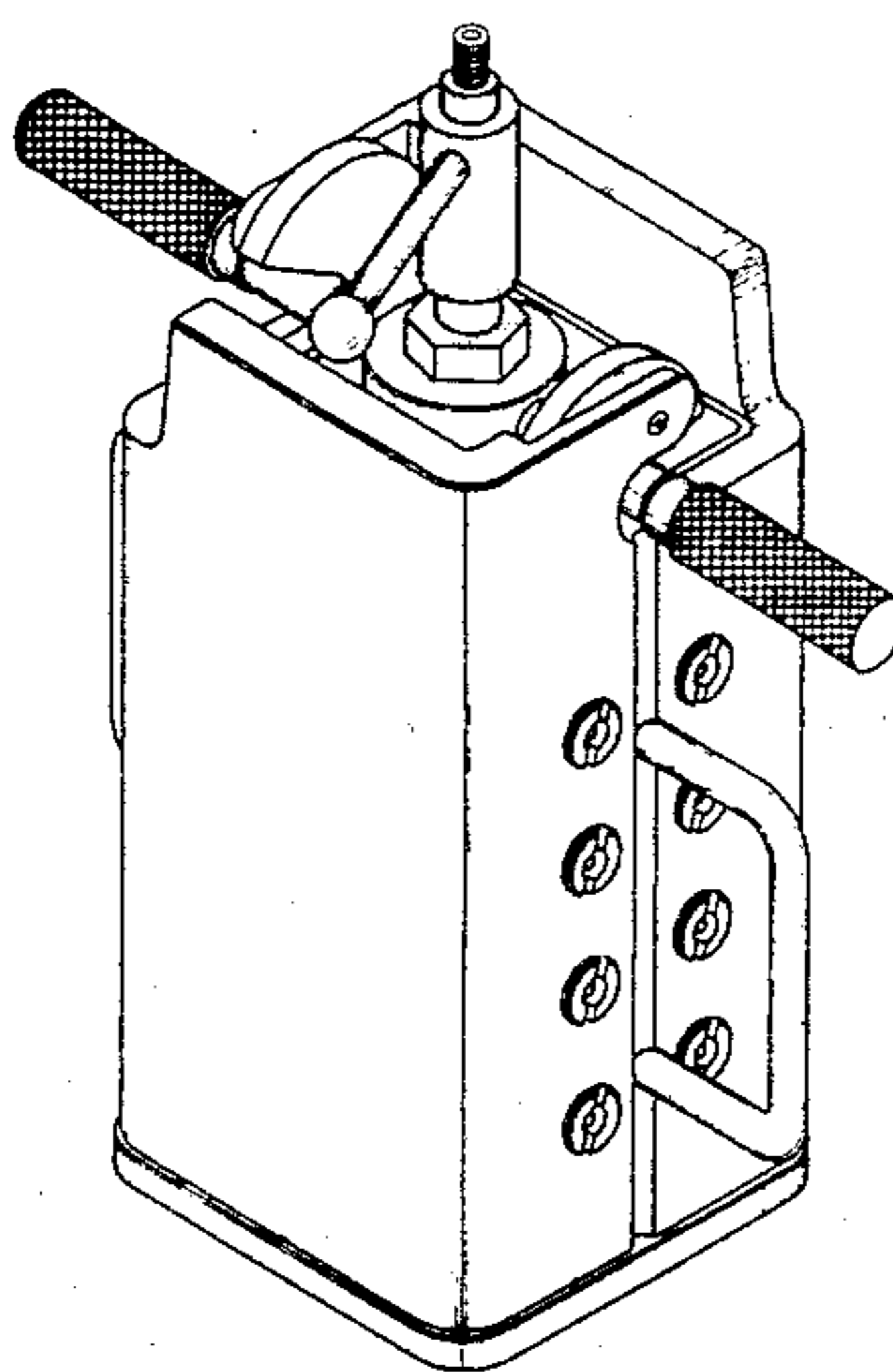
Primary Examiner—Wallace R. Burke
Assistant Examiner—Ruth E. Takemoto
Attorney, Agent, or Firm—Pollock, VandeSande & Priddy

[57] **CLAIM**

The ornamental design for a machine for making dry ice, as shown and described.

DESCRIPTION

FIG. 1 is a front elevational view of a machine for making dry ice showing our new design; FIG. 2 is a rear elevational view thereof; FIG. 3 is a bottom plan view thereof; FIG. 4 is a top plan view thereof; FIG. 5 is a right side elevational view thereof; FIG. 6 is a left side elevational view thereof; FIG. 7 is a perspective view thereof; and FIG. 8 is a front elevational view thereof, connected to a gas source which is shown in broken lines for illustrative purposes only and forms no part of the claimed design.



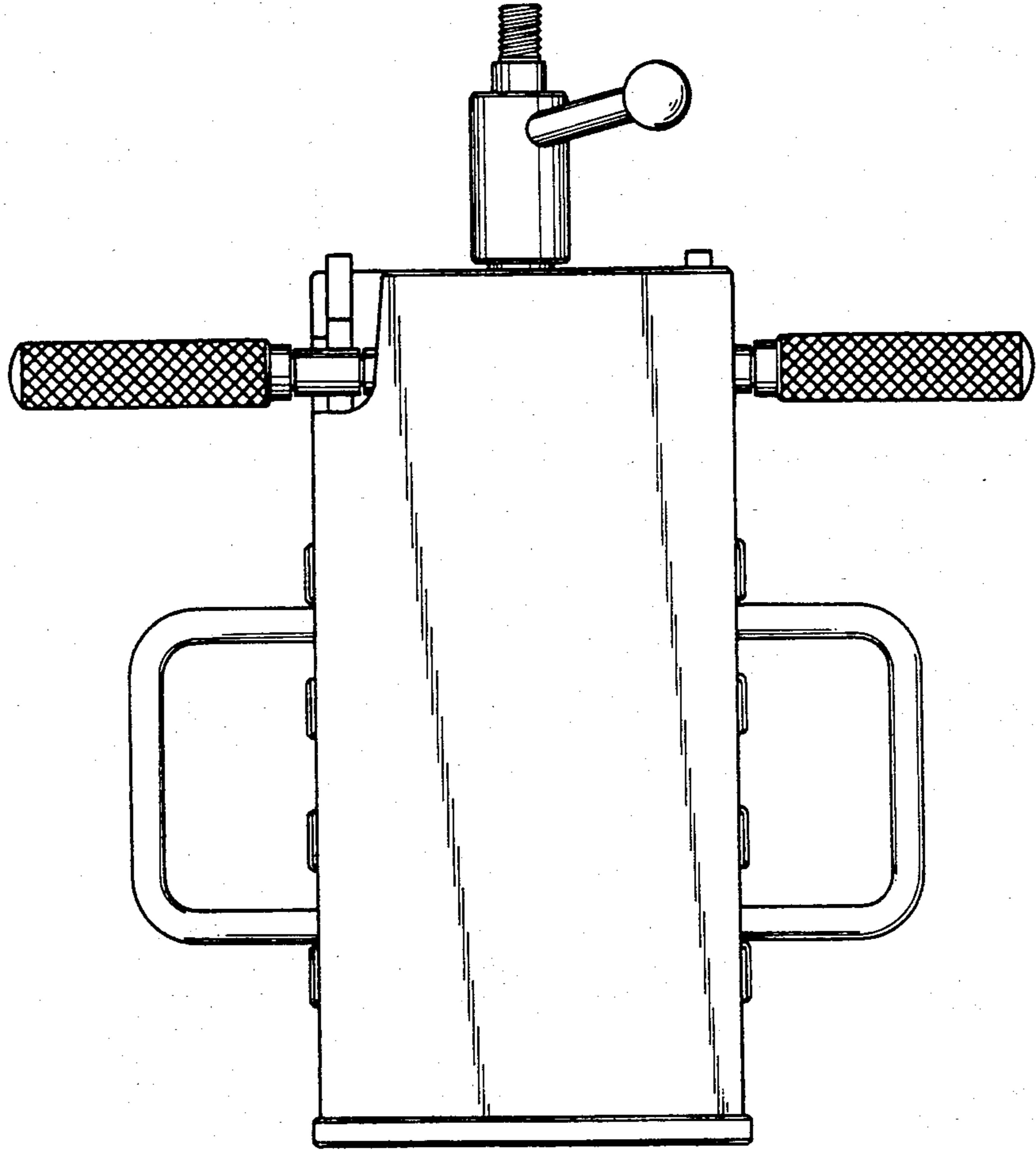


FIG. 1

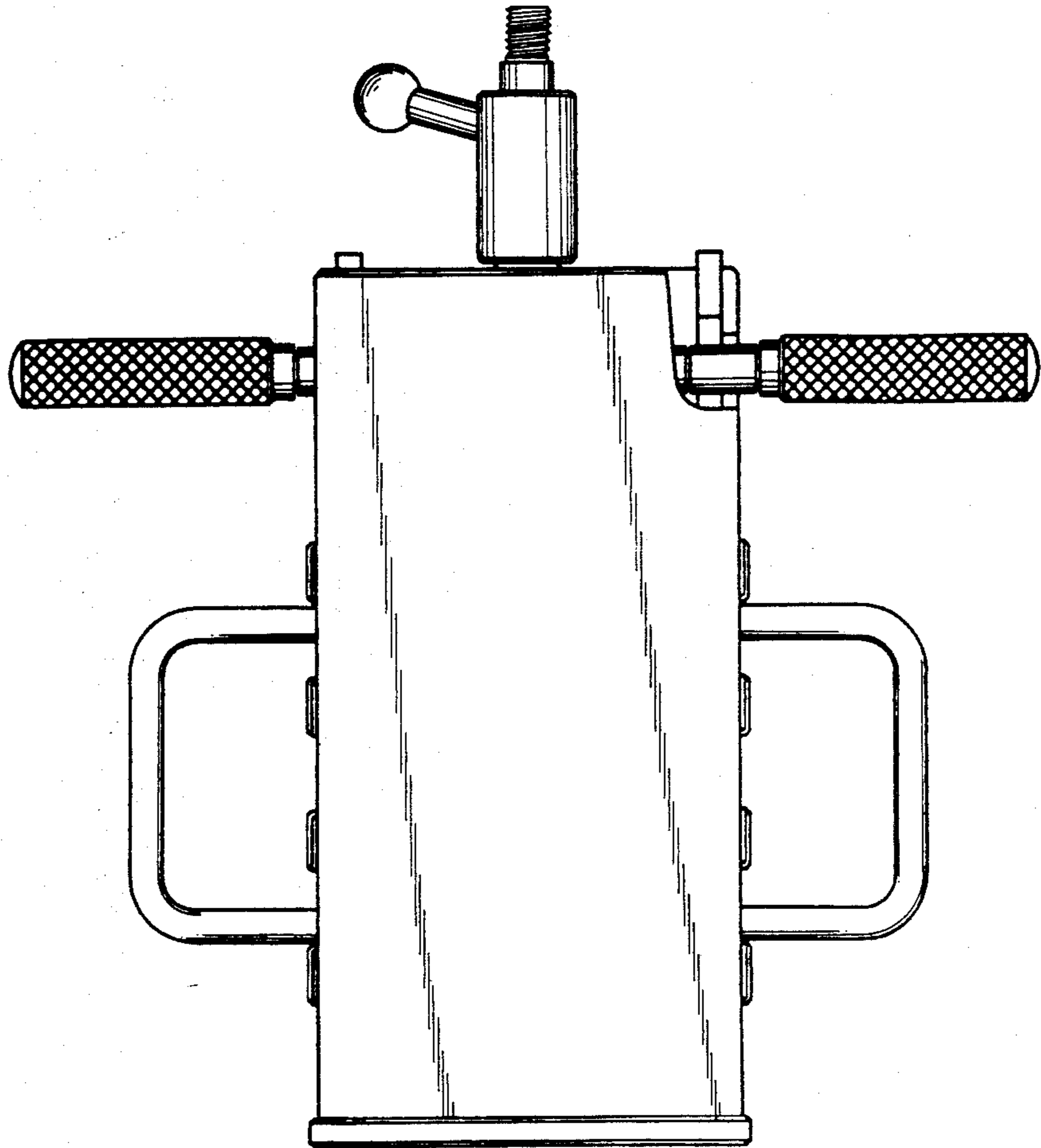


FIG. 2

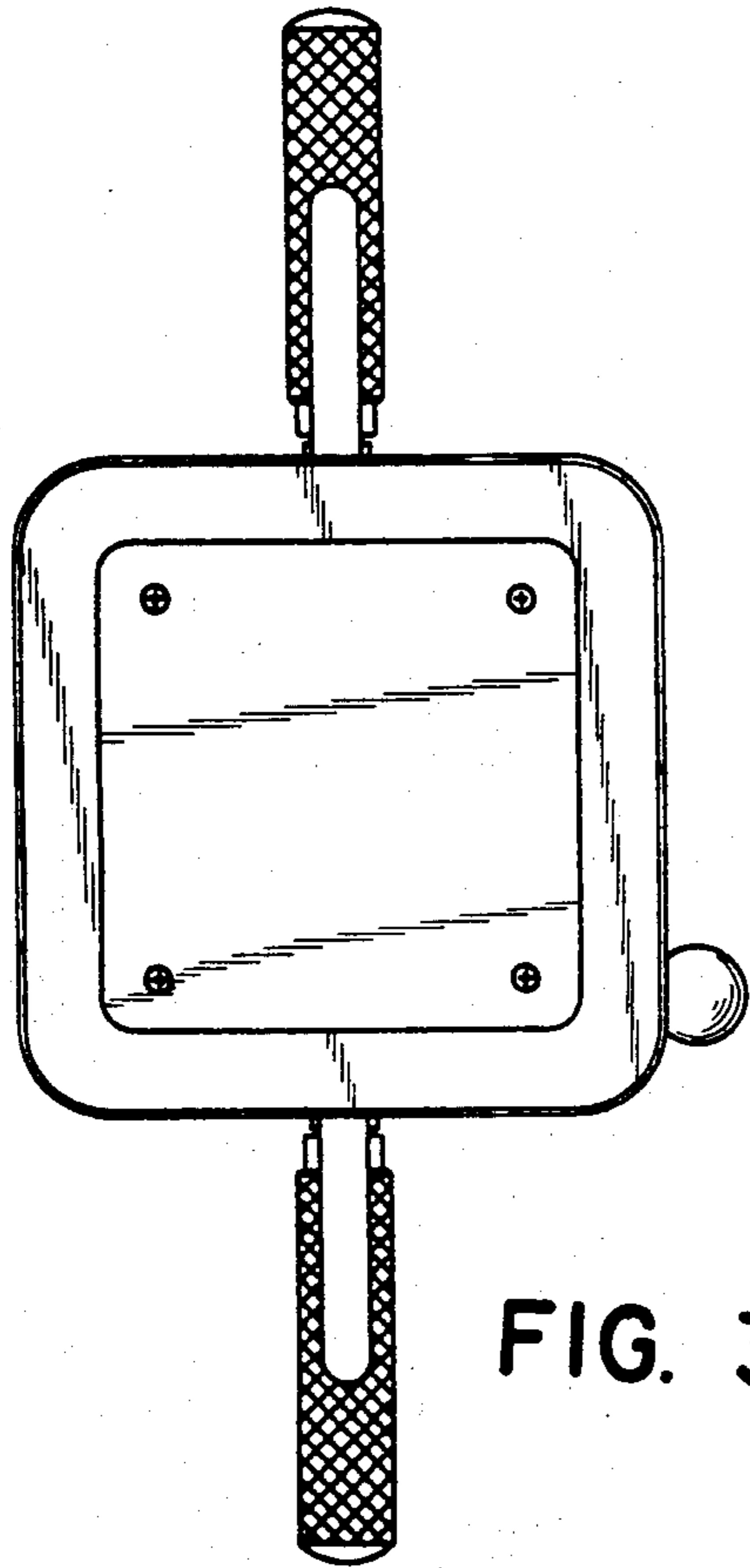


FIG. 3

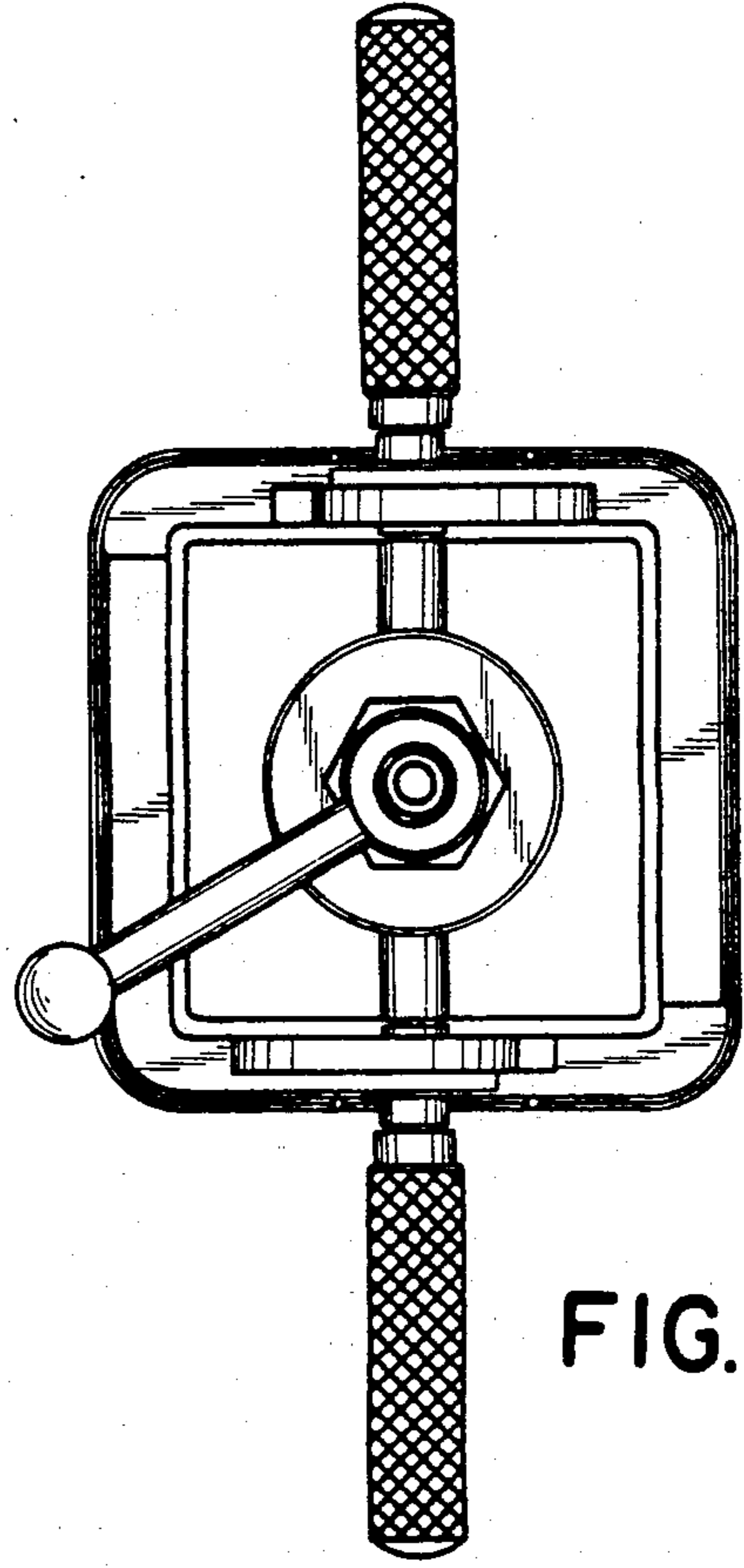


FIG. 4

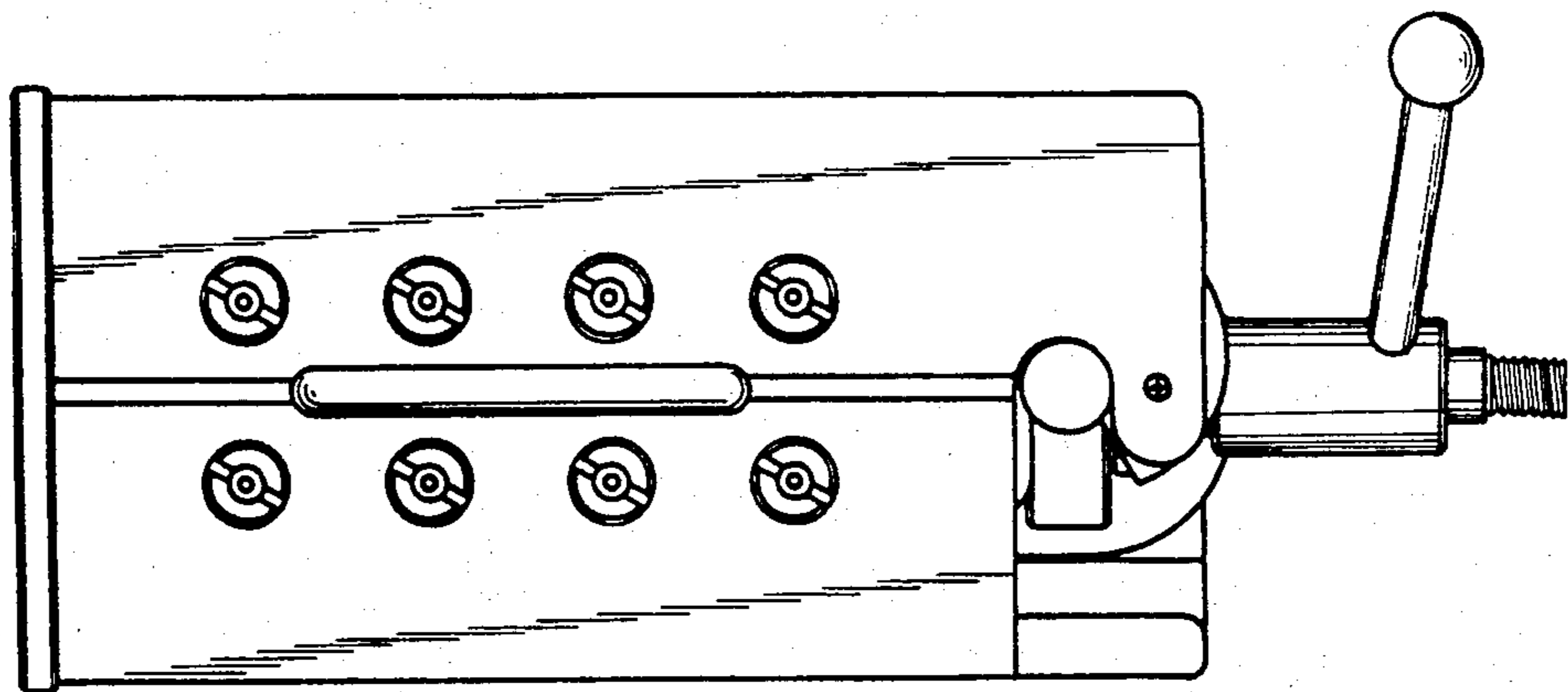


FIG. 5

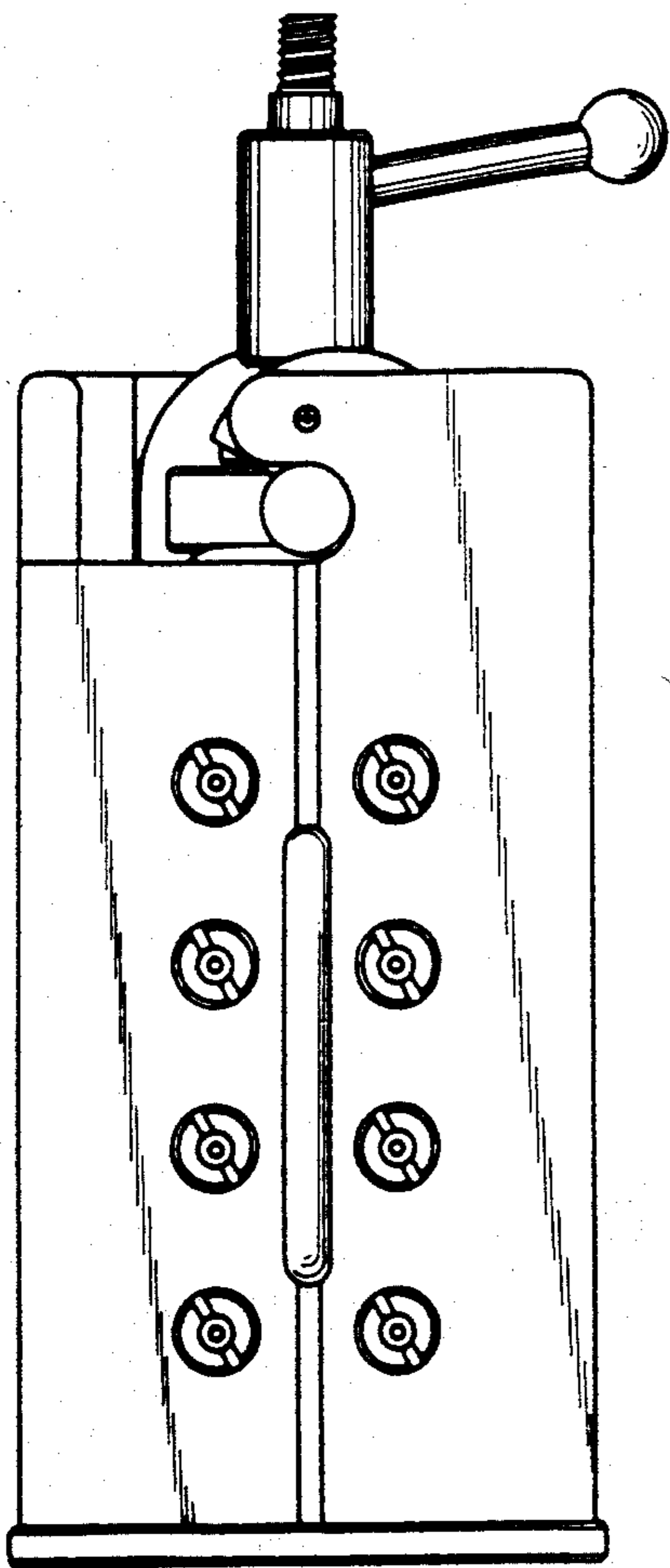


FIG. 6

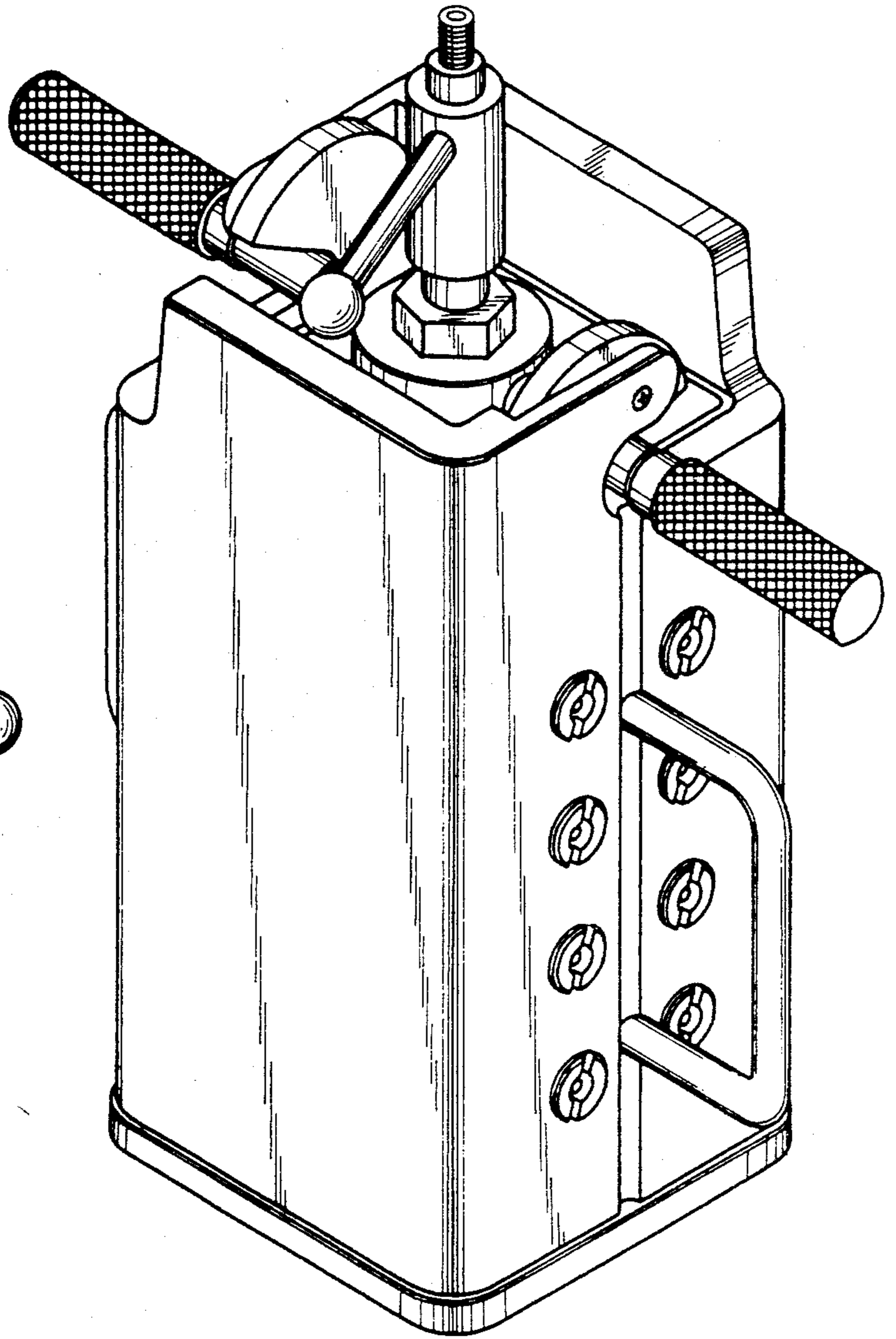


FIG. 7

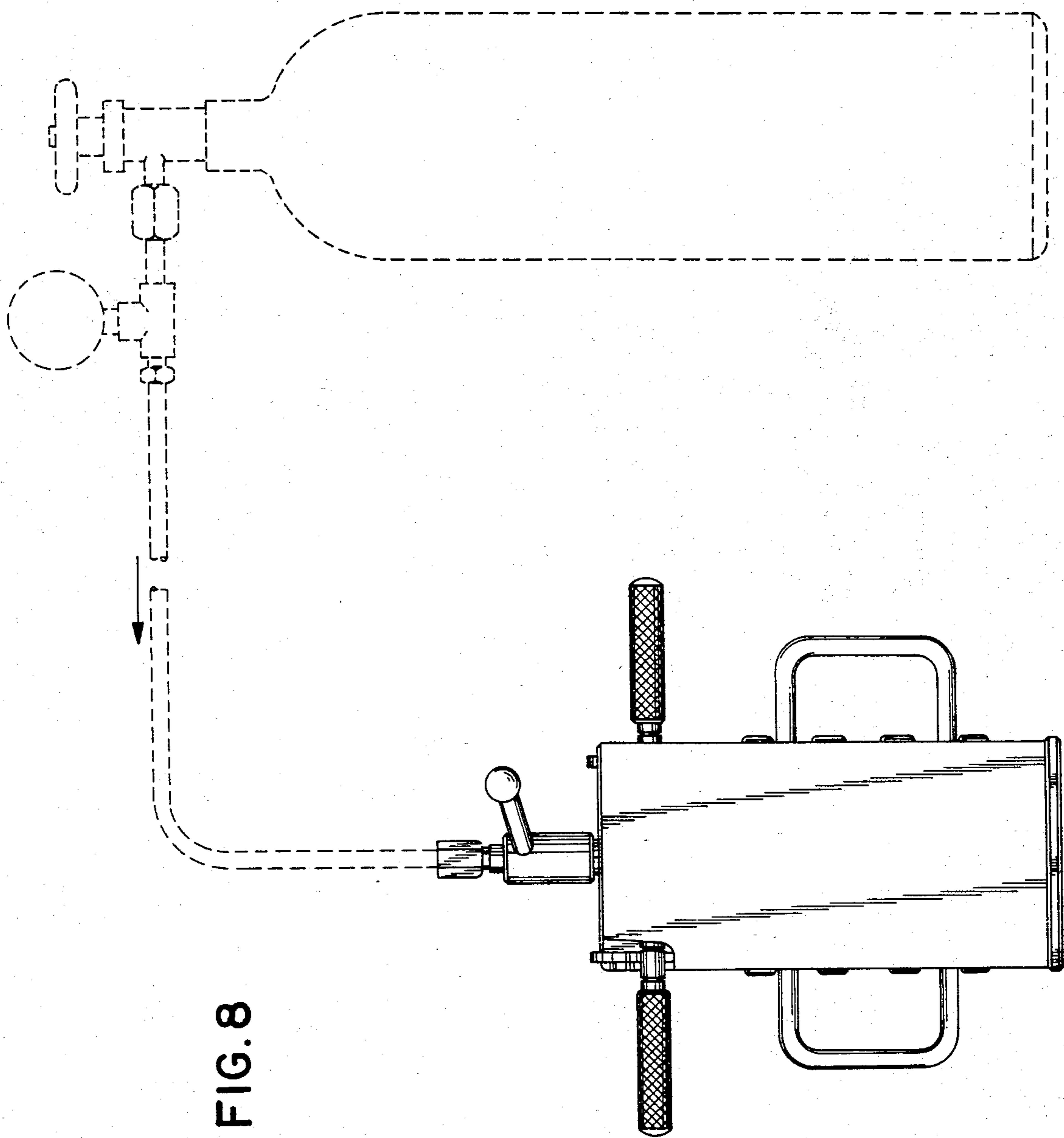


FIG. 8