

[54] **STAND FOR A TELEPHONE HANDSET**
 [75] Inventors: **Clifford D. Read, Almonte; Michael K. Eldershaw, Nepean, both of Canada**
 [73] Assignee: **Northern Telecom Limited, Montreal, Canada**
 [**] Term: **14 Years**
 [21] Appl. No.: **750,079**
 [22] Filed: **Jun. 28, 1985**

[30] **Foreign Application Priority Data**
 Jan. 23, 1985 [CA] Canada 23-01-85-3
 [52] U.S. Cl. **D14/60**
 [58] Field of Search D14/53, 60, 62, 64, D14/65, 58; D6/555; 179/179, 18 AD, 18 B, 100 R, 100 D

[56] **References Cited**
U.S. PATENT DOCUMENTS

- D. 231,650 5/1974 Euhonk et al. D14/60
- D. 265,401 7/1982 Genaro et al. D14/64 X
- D. 266,762 11/1982 Gibson D14/113 X
- D. 271,971 12/1983 Genaro et al. D14/60
- D. 274,959 8/1984 Glenbucki et al. D6/555
- D. 276,430 11/1984 Isaacs D14/60
- D. 279,185 6/1985 Felix et al. D14/65 X
- D. 282,841 3/1986 Inaba D14/65 X
- D. 283,508 4/1986 Miyake D14/58 X
- D. 283,617 4/1986 Janda D14/65 X
- D. 283,618 4/1986 Janda et al. D14/65 X

- D. 283,814 5/1986 Genaro et al. D14/58 X
- D. 284,078 6/1986 Yamagami et al. D14/53
- D. 284,568 7/1986 Yamagami et al. D14/65 X
- D. 286,285 10/1986 Danielson et al. D14/62
- D. 287,011 12/1986 Kaku D14/58 X
- 4,436,963 3/1984 Cottrell et al. 179/18 B

FOREIGN PATENT DOCUMENTS

WO83/01550 4/1983 PCT Int'l Appl. D14/52

OTHER PUBLICATIONS

Telecom Gear, Feb. 1986: *Desco* 3/4 page at p. 11: Showing of AT&T Sunday Business Sets.

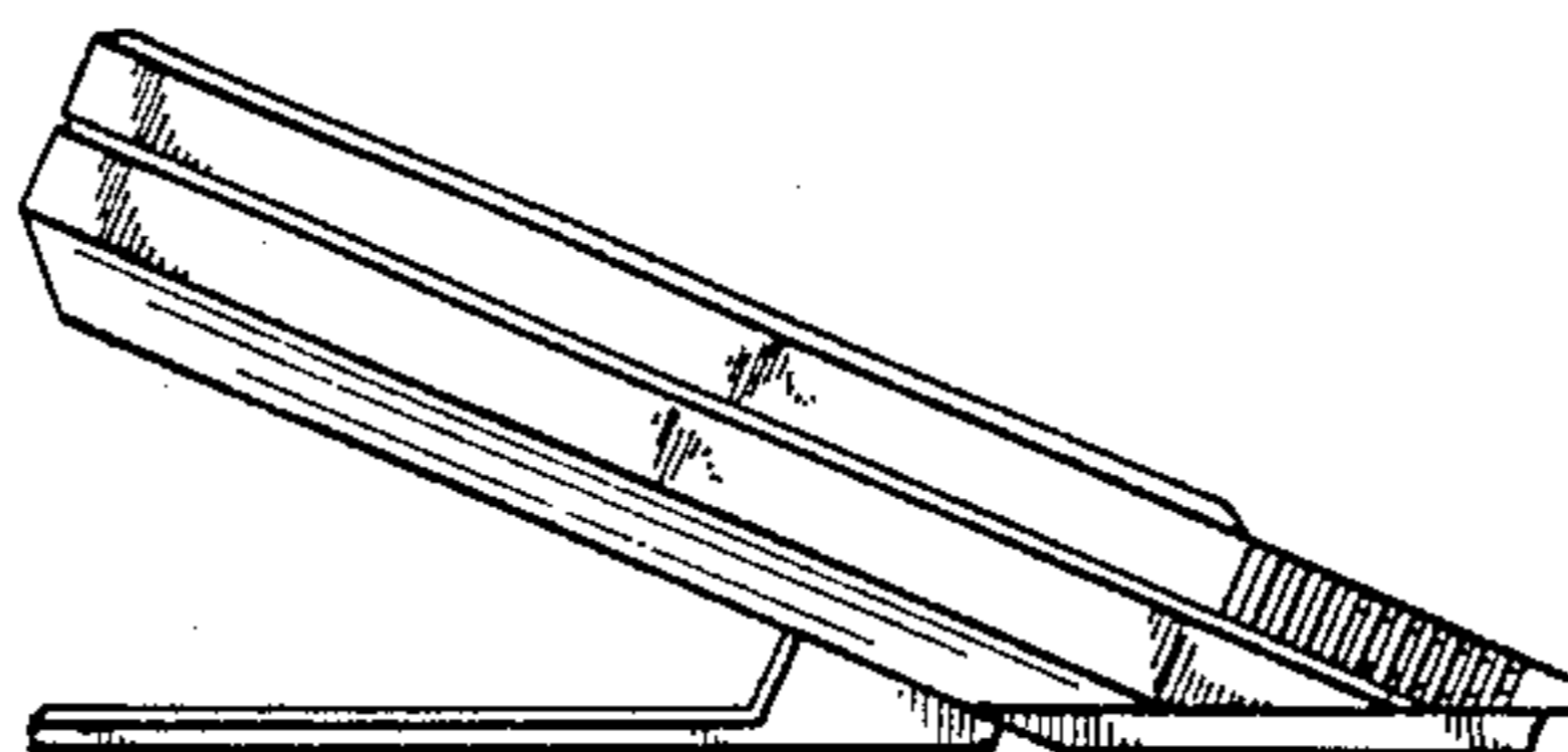
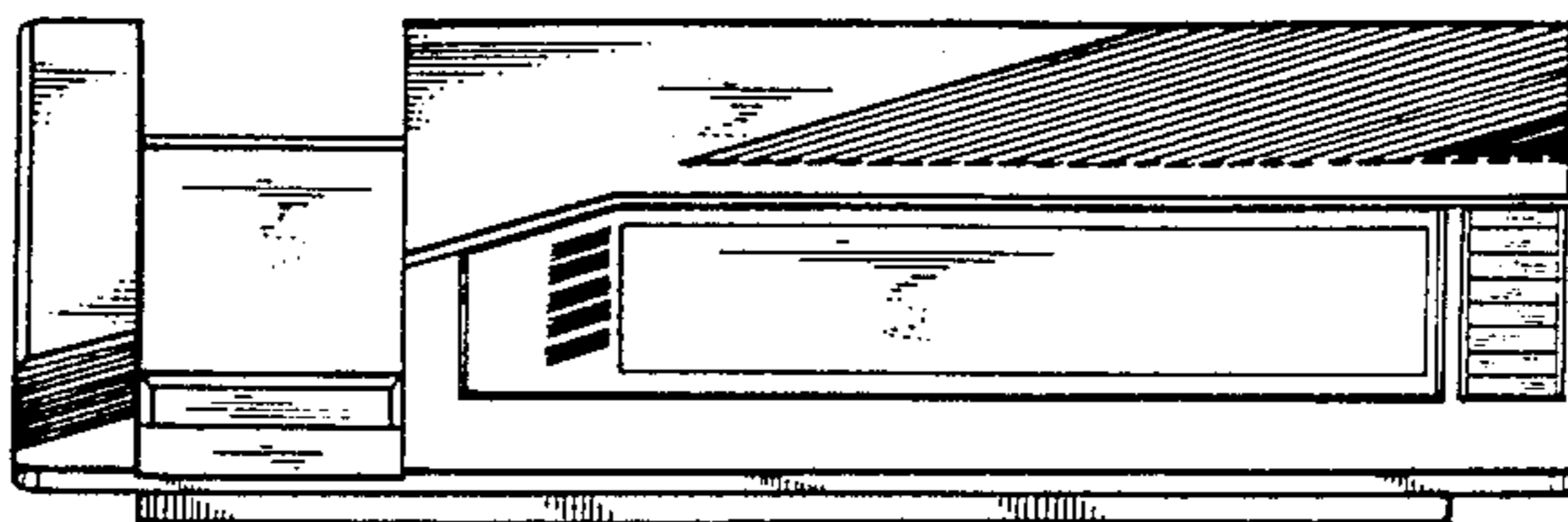
Primary Examiner—James M. Gandy
Assistant Examiner—Horace B. Fay
Attorney, Agent, or Firm—Schwartz, Jeffery, Schwaab, Mack, Blumenthal & Evans

[57] **CLAIM**

The ornamental design for a stand for a telephone handset, as shown and described.

DESCRIPTION

FIG. 1 is a front, top and right side perspective view of a stand for a telephone handset showing our new design;
 FIG. 2 is a top plan view thereof;
 FIG. 3 is a front elevational view thereof;
 FIGS. 4 and 5 are respectively left and right side elevational views thereof;
 FIG. 6 is a rear elevational view thereof; and
 FIG. 7 is a bottom plan view thereof.



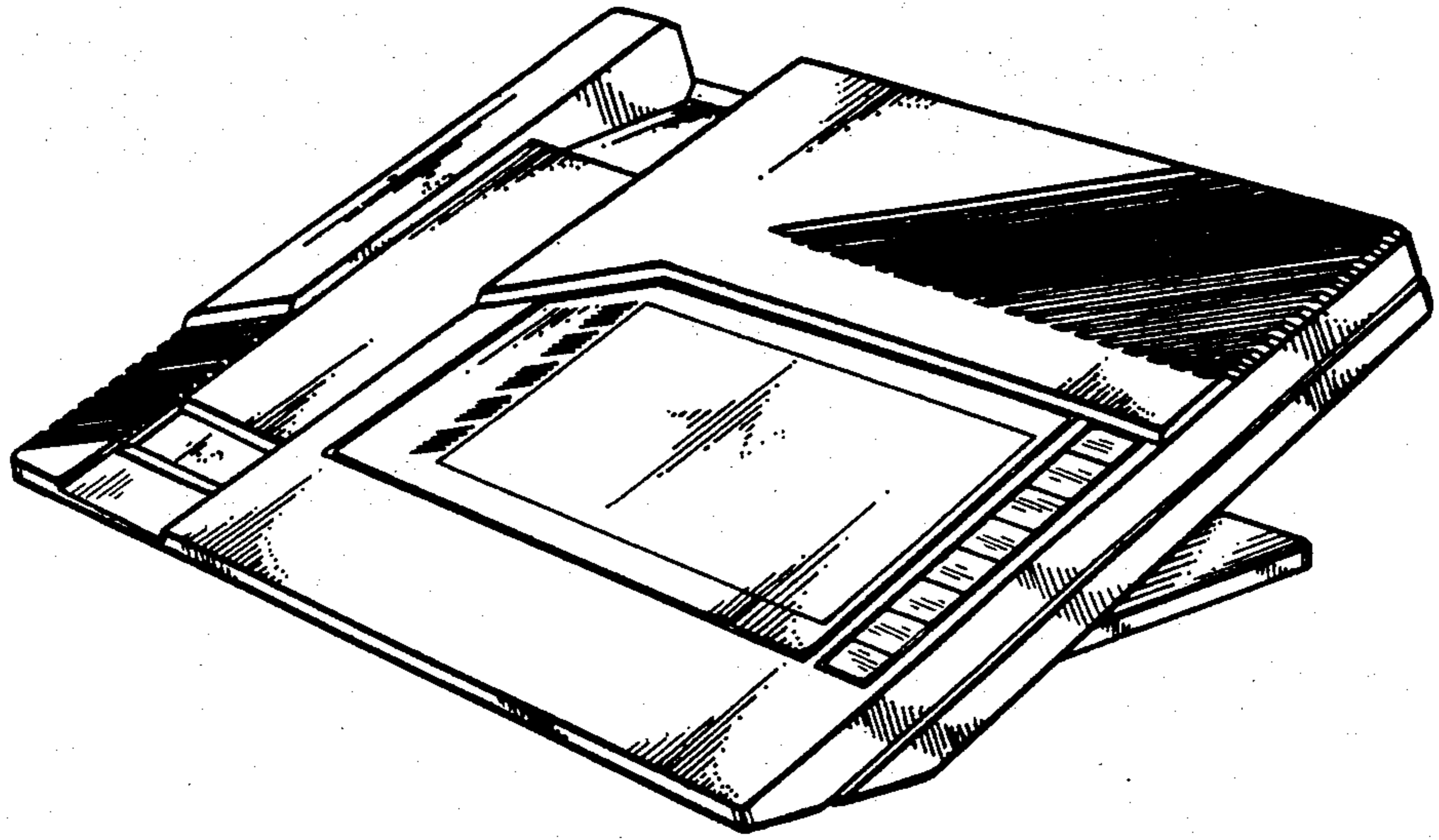


FIG. 1

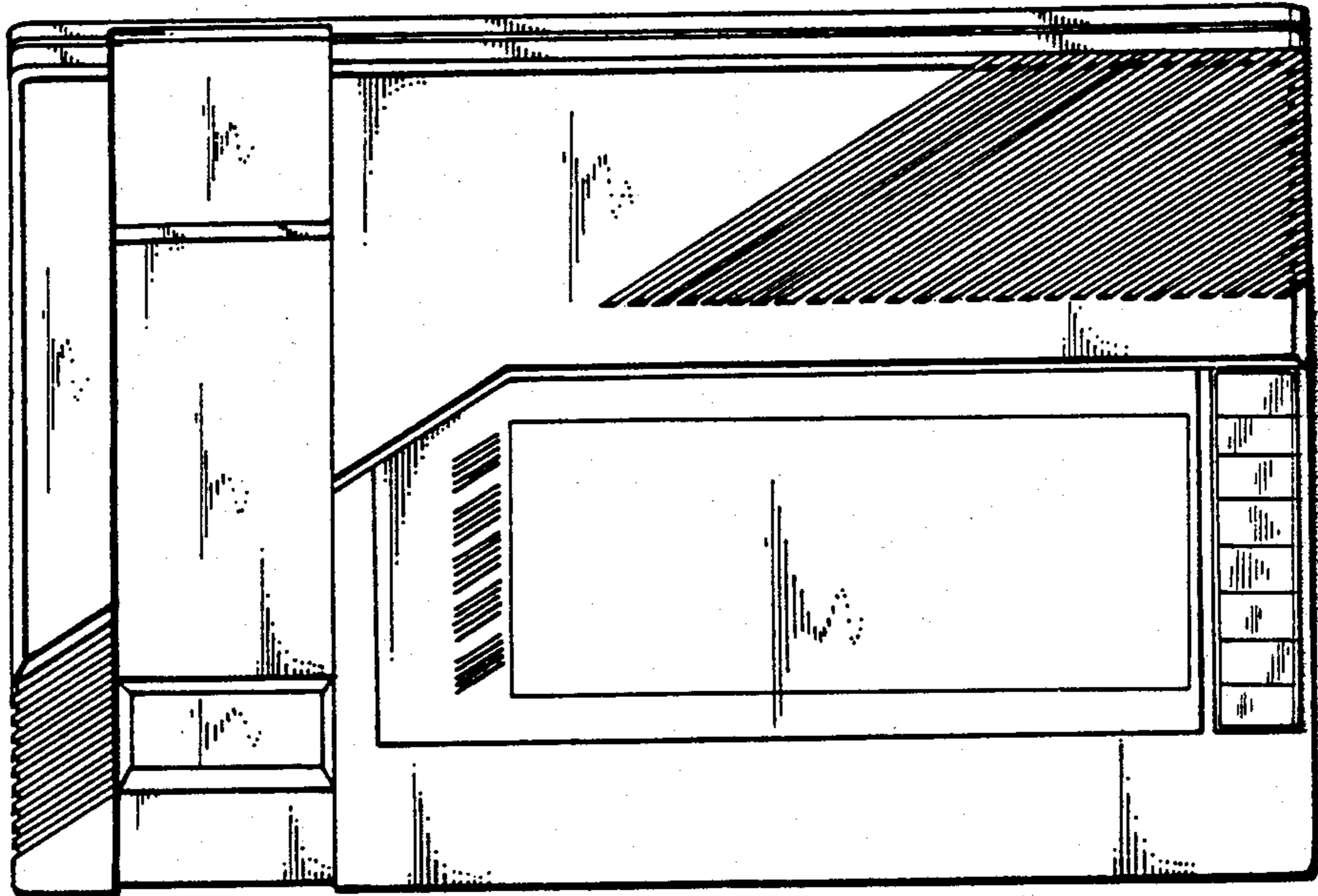


FIG. 2

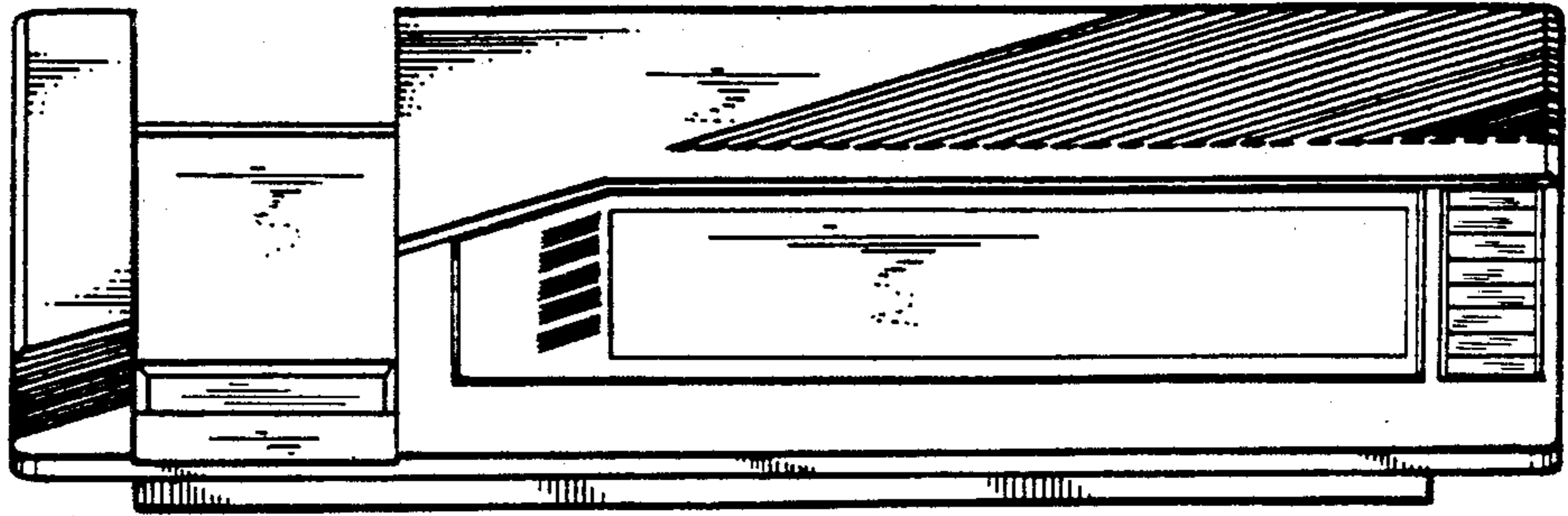


FIG. 3

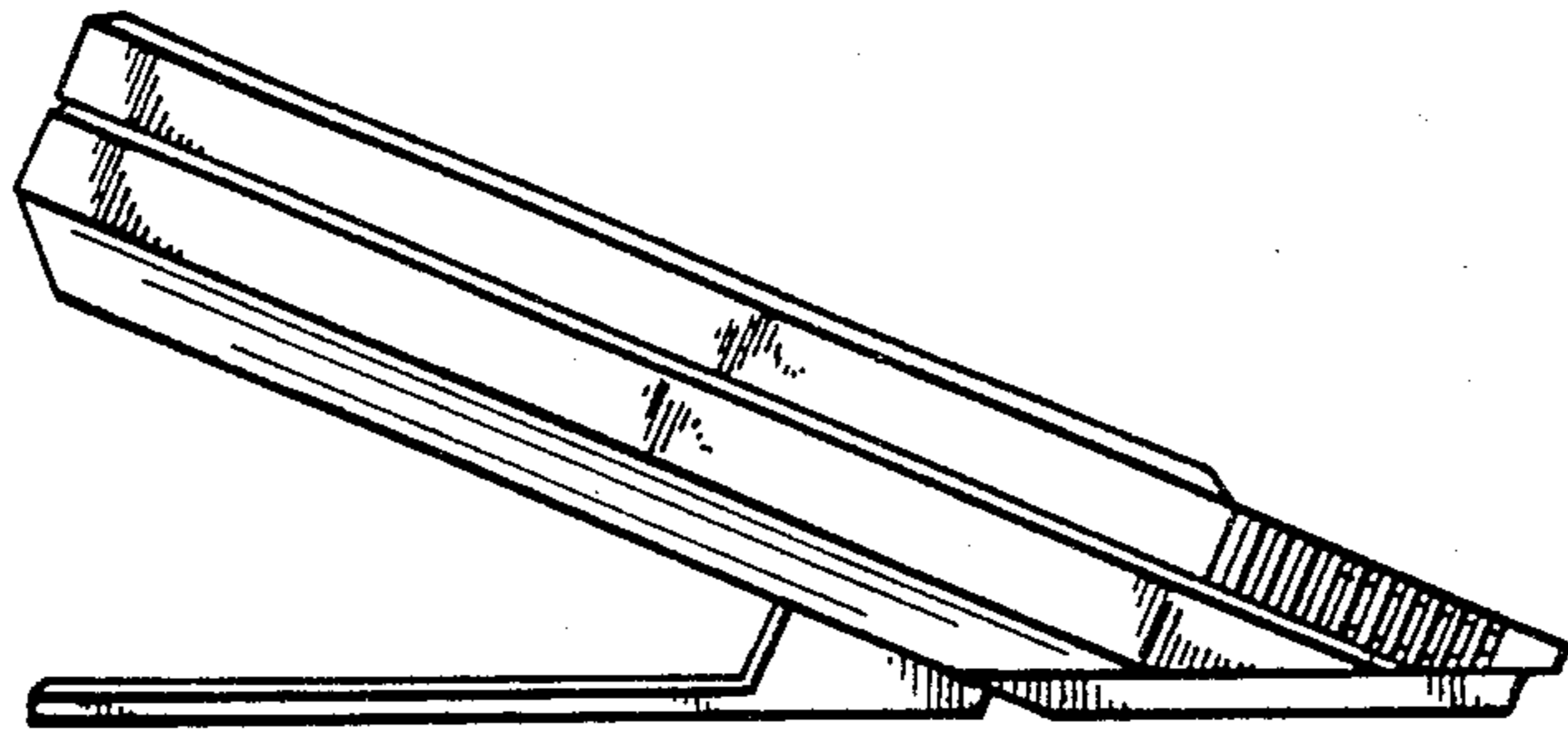


FIG. 4

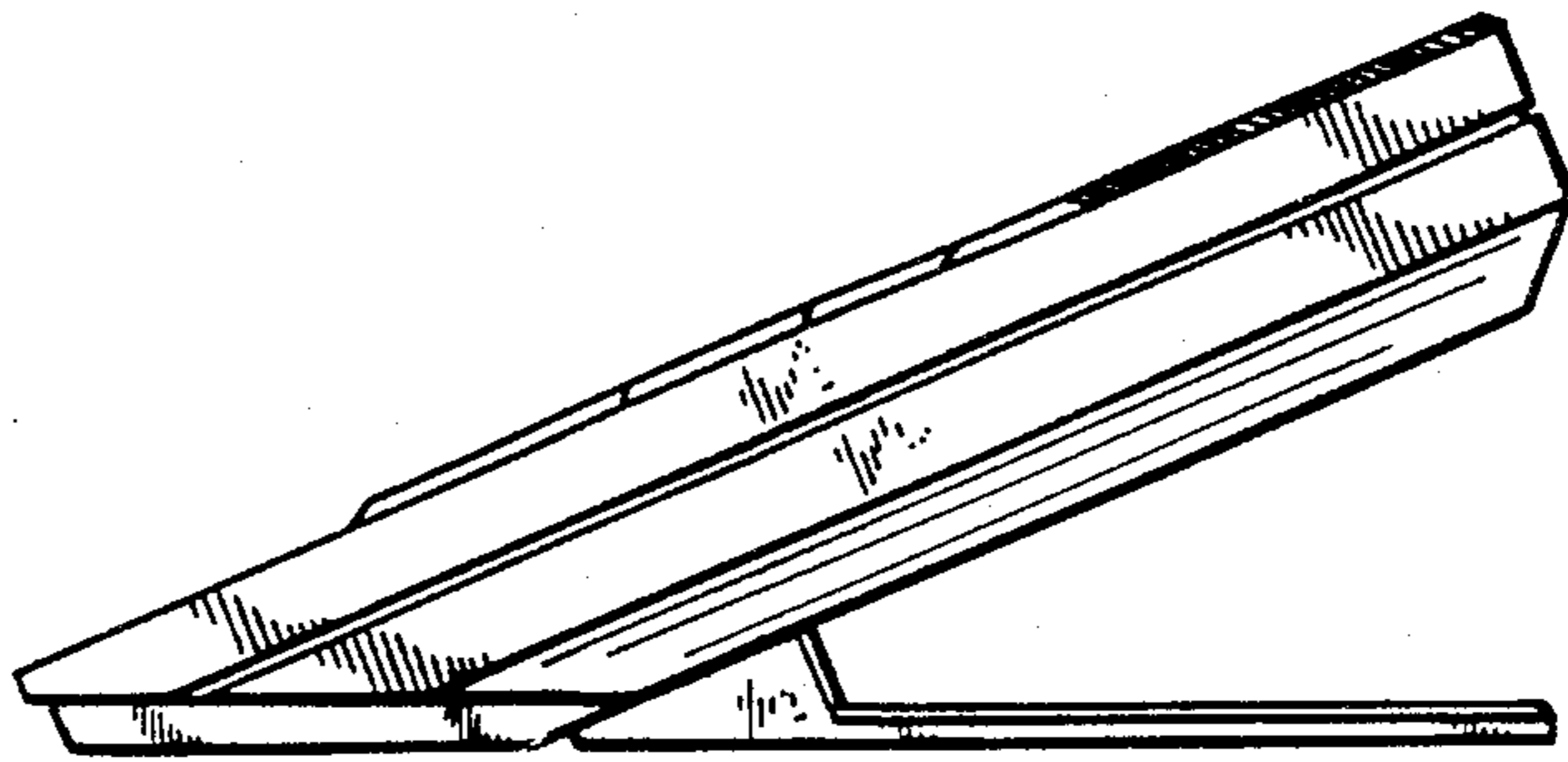


FIG. 5

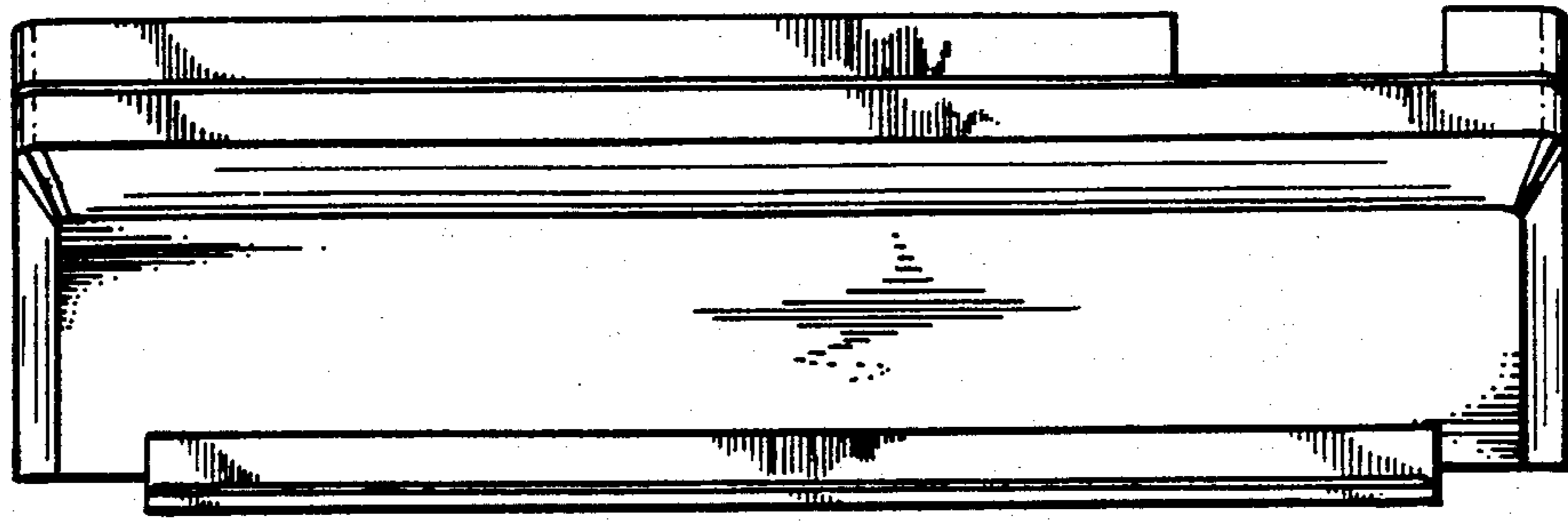


FIG. 6

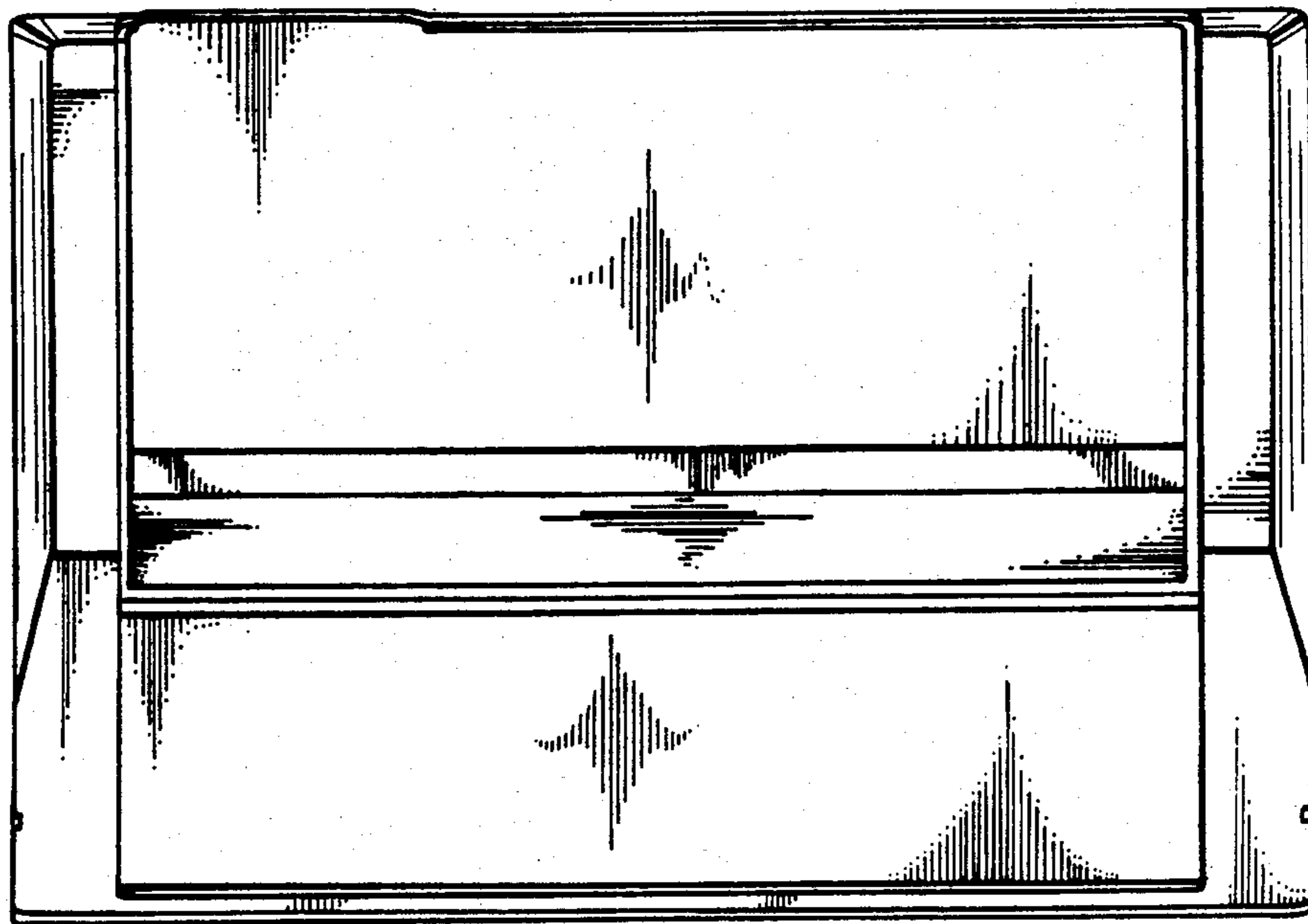


FIG. 7